



Chipsmall Limited consists of a professional team with an average of over 10 year of expertise in the distribution of electronic components. Based in Hongkong, we have already established firm and mutual-benefit business relationships with customers from,Europe,America and south Asia,supplying obsolete and hard-to-find components to meet their specific needs.

With the principle of “Quality Parts,Customers Priority,Honest Operation,and Considerate Service”,our business mainly focus on the distribution of electronic components. Line cards we deal with include Microchip,ALPS,ROHM,Xilinx,Pulse,ON,Everlight and Freescale. Main products comprise IC,Modules,Potentiometer,IC Socket,Relay,Connector.Our parts cover such applications as commercial,industrial, and automotives areas.

We are looking forward to setting up business relationship with you and hope to provide you with the best service and solution. Let us make a better world for our industry!



## Contact us

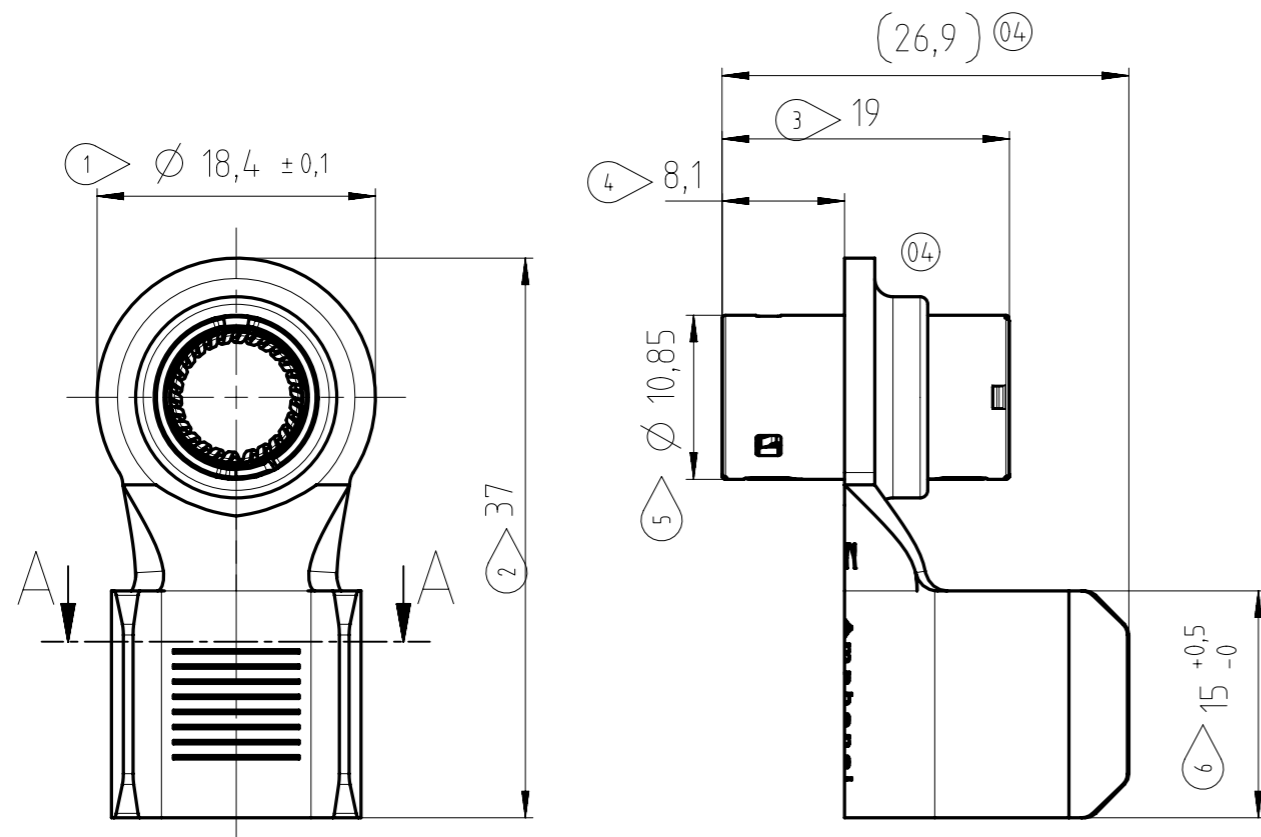
Tel: +86-755-8981 8866 Fax: +86-755-8427 6832

Email & Skype: info@chipsmall.com Web: www.chipsmall.com

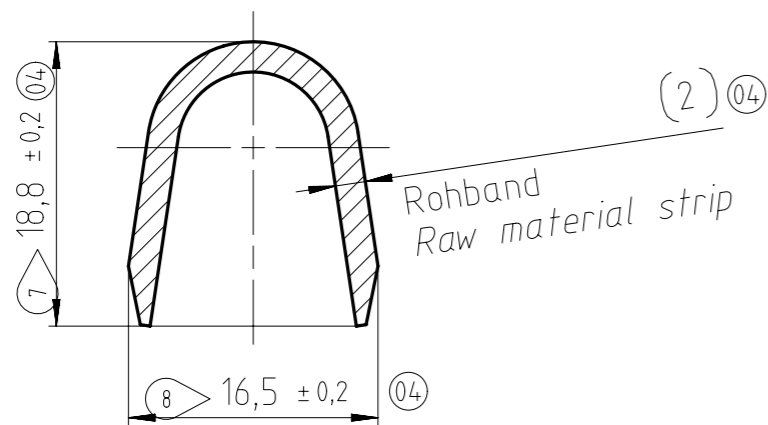
Address: A1208, Overseas Decoration Building, #122 Zhenhua RD., Futian, Shenzhen, China



Copying of this document and giving it to others and the use or communication of the contents thereof, are forbidden without express authority. Offenders are liable to the payment of damages. All rights are reserved in the event of the grant of a patent or the registration of the utility model or design.



SECTION A-A



Leiterquerschnitt: 35-50 mm<sup>2</sup>  
 Conductor cross-section:  
 Crimpung nach Crimpspezifikation: N 50 390 0002  
 Crimp acc. to crimp-specification:

Steckkraft Kontaktelement: tbd (04)  
 Insertion force contact element: tbd

Teile öl- und fettfrei gewaschen  
 Washed, free of oil and grease

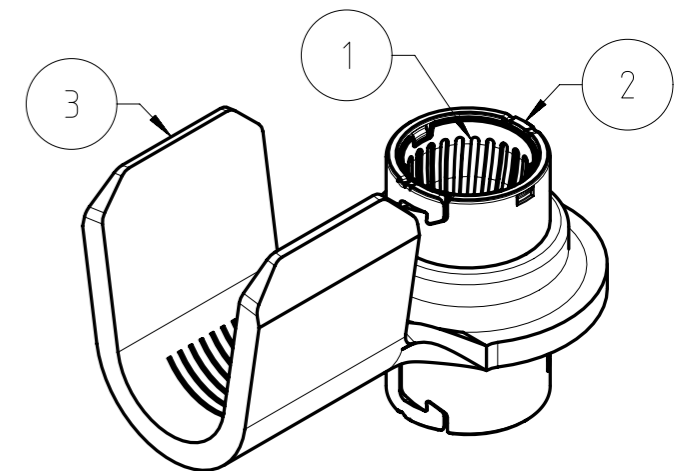
Oberflächenspannung: min. 38 mN/m  
 Surface tension: min. 38 mN/m

Stanzkanten blank zulässig  
 Stamping edges blank allowed

Ohne Anlaufschutz. Verfärbungen der Bauteile durch Oxidation sind zulässig. Grünspan ist nicht erlaubt.

Without corrosion protection. Discolorations of the components surface by oxidation is permitted. Formation of verdigris is not allowed.

SCALE 2:1



11 höchste Prüfziffer  
 final check digit

entfernte Prüfziffern: -  
 removed check digits:

1	Radsok R8S 8,0 mm, Kontaktgitter (04) Radsok R8S 8.0 mm, Grid	Siehe Spezifikation N 50 390 0003 (04) See specification N 50 390 0003
2	Radsok R8S 8,0 mm, Hülse (04) Radsok R8S 8.0 mm, Sleeve	Siehe Spezifikation N 50 390 0003 (04) See specification N 50 390 0003
3	Crimphalter 8,0 mm 90°, 35-50 mm <sup>2</sup> (04) Crimp terminal 8.0 mm 90°, 35-50 mm <sup>2</sup>	Siehe Spezifikation N 50 390 0003 (04) See specification N 50 390 0003
Pos. Item	Beschreibung Description	Oberfläche Plating

Gewicht (errechnet) / Calc WT: 21,29 g		Zul. Abw./Tolerances:		Maßstab / Scale: 2:1	A3	
Prüfmaß / Testdimension		ISO 2768-m/K		CUSTOMER DRAWING (04)		
Teileindex Partindexnumber		DIN / ISO 13715		Crimpkontakt 8,0 mm 90°, 35-50 mm <sup>2</sup> (04) Crimp contact 8.0 mm 90°, 35-50 mm <sup>2</sup>		
		2016	Datum/Date	Name		
		Gez.	05.07.	J. Stolz		
		Drawn				
		Gep.				
04	201700100	28.07.17	JST	Checked	Volker Kirner 2017.07.28 0002+ 13:41:03	
03	201700045	23.02.17	JST			
02	201700041	11.01.17	JST			
01	201600364	08.07.16	JST			
Index	Änderung/Description	Datum/Date	Name	KE Art.Nr.:	M-N 02 080 7102 002	Blatt/Sheet 1 1 Bl.
					Ers. f. l. Replacement for: SK 201500732 0010	

Weitergabe sowie Vervielfältigung dieser Unterlage, Verwertung und Mitteilung ihres Inhalts nicht gestattet, soweit nicht ausdrücklich zugestanden. Zuwiderhandlungen verpflichten zu Schadenersatz. Alle Rechte für den Fall der Patenterteilung oder Gebrauchsmuster-Eintragung vorbehalten.