



Chipsmall Limited consists of a professional team with an average of over 10 year of expertise in the distribution of electronic components. Based in Hongkong, we have already established firm and mutual-benefit business relationships with customers from,Europe,America and south Asia,supplying obsolete and hard-to-find components to meet their specific needs.

With the principle of “Quality Parts,Customers Priority,Honest Operation,and Considerate Service”,our business mainly focus on the distribution of electronic components. Line cards we deal with include Microchip,ALPS,ROHM,Xilinx,Pulse,ON,Everlight and Freescale. Main products comprise IC,Modules,Potentiometer,IC Socket,Relay,Connector.Our parts cover such applications as commercial,industrial, and automotives areas.

We are looking forward to setting up business relationship with you and hope to provide you with the best service and solution. Let us make a better world for our industry!



## Contact us

Tel: +86-755-8981 8866 Fax: +86-755-8427 6832

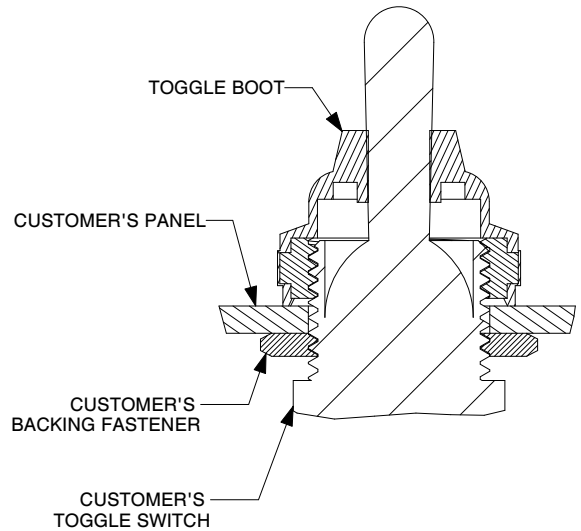
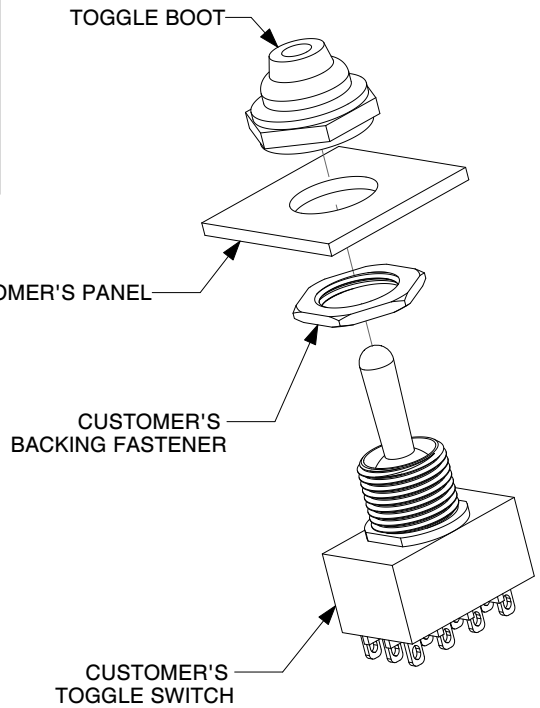
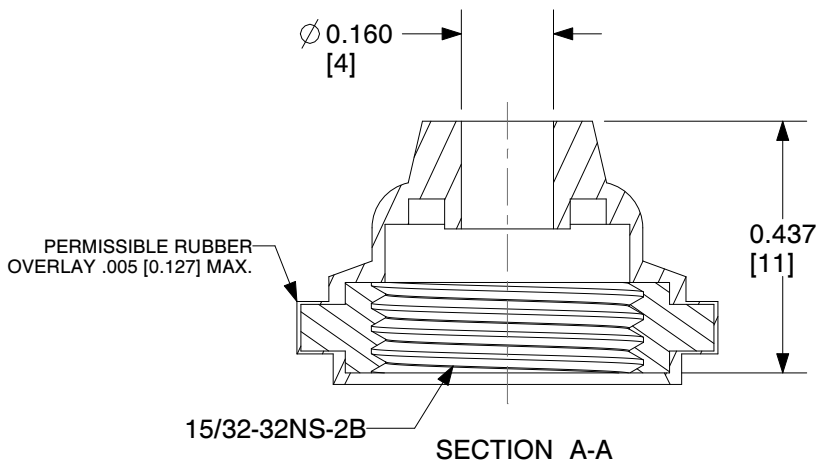
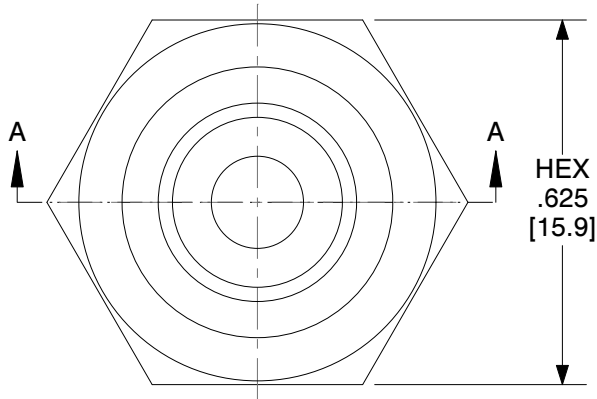
Email & Skype: info@chipsmall.com Web: www.chipsmall.com

Address: A1208, Overseas Decoration Building, #122 Zhenhua RD., Futian, Shenzhen, China



**SPECIFICATIONS**

**Material:** Silicone rubber conforms to AA-59588 Class III, GR50 (unless otherwise specified).  
**Mounting Nut:** Brass, black oxide  
**Temperature Range:** -94° F to +400° F (-70° C to +204° C).  
**Pressure Range:** Exceeds 15 psi internal and 1500 psi external.  
**Operational Life:** 50,000 actuations (minimum).  
**Shelf Life:** Excess of 25 years.  
**Resistant to:** Salt spray, sunlight, ozone, weather, fungus, and most acids and lubricating oils.  
**Agency Recognition:** UL & ULC Recognized to UL Std. 50



TOLERANCES: UNLESS OTHERWISE NOTED  $\pm 1/32$  [ $\pm 0.793$ ].

A	REVISED THREADS NOTATION FROM 1/2-32 TO 15/32-32	DAN LAW	10.10.12
REV.	DESCRIPTION		DATE
MAXIMUM AND MINIMUM MEASUREMENTS ARE STATED DIRECTLY ON EACH DIMENSION.	TITLE: <b>BOOT TOGGLE SWITCH EXPOSED BAT (N-1030B 160 ID)</b>	ENG. S. GOK	03.04.09
MAT'L: SILICONE RUBBER conforms to A-A-59588, Gr.50		DWN: S. GOK	03.04.09
FINISH: GRAY	APM-HEXSEAL CORPORATION	CHKD. KEN S.	10.10.12
		SCALE 3:1	DWG.NO. N1030B 160 ID

THIS DRAWING COVERS PROPRIETARY ITEM AND IS THE PROPERTY OF THE APM-HEXSEAL CORPORATION.  
 THIS DRAWING IS NOT TO BE COPIED OR USED WITHOUT THE WRITTEN APPROVAL OF AN OFFICER OF THE APM-HEXSEAL CORPORATION.