



Chipsmall Limited consists of a professional team with an average of over 10 year of expertise in the distribution of electronic components. Based in Hongkong, we have already established firm and mutual-benefit business relationships with customers from,Europe,America and south Asia,supplying obsolete and hard-to-find components to meet their specific needs.

With the principle of “Quality Parts,Customers Priority,Honest Operation,and Considerate Service”,our business mainly focus on the distribution of electronic components. Line cards we deal with include Microchip,ALPS,ROHM,Xilinx,Pulse,ON,Everlight and Freescale. Main products comprise IC,Modules,Potentiometer,IC Socket,Relay,Connector.Our parts cover such applications as commercial,industrial, and automotives areas.

We are looking forward to setting up business relationship with you and hope to provide you with the best service and solution. Let us make a better world for our industry!



## Contact us

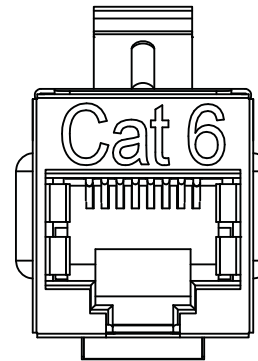
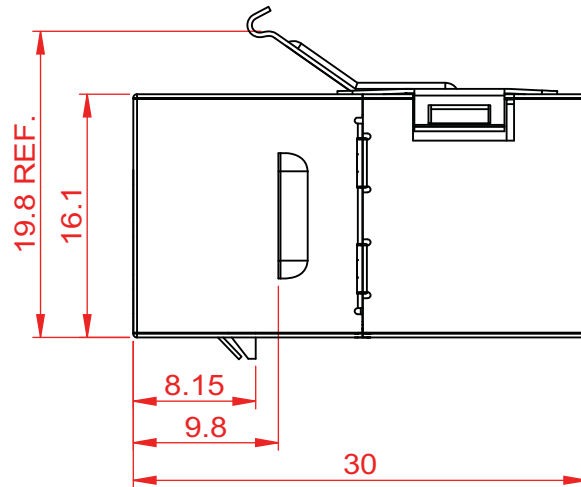
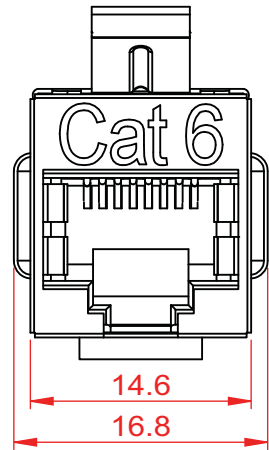
Tel: +86-755-8981 8866 Fax: +86-755-8427 6832

Email & Skype: info@chipsmall.com Web: www.chipsmall.com

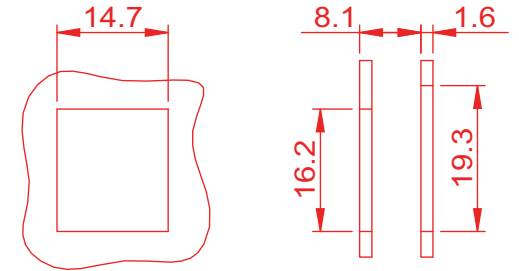
Address: A1208, Overseas Decoration Building, #122 Zhenhua RD., Futian, Shenzhen, China



# 量產圖



## SUGGESTED MOUNTING CUTOUT



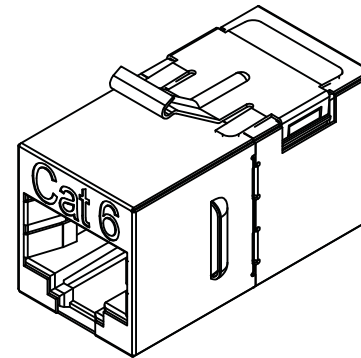
ACCORDING TO ANSI/TIA-568-C.2  
REQUIREMENTS  
C6 CHANNEL COMPLIANT



COMMUNICATION  
CIRCUIT ACCESSORIES

Cat 6

56Y4  
E334154



### MATERIAL

SHIELDED CASE : COPPER C2680, T=0.25MM, 30U" NICKEL PLATED.  
BRACKET : SUS304.  
COUPLER HOUSING : ABS HIGH-IMPACT UL94V-0 THERMOPLASTIC.  
CONTACT HOLDER : ABS HIGH-IMPACT UL94V-0 THERMOPLASTIC.  
SPRING WIRE : PHOSPHOR BRONZE 5100W TEMPER WIRE, Φ=0.45MM, 3U" AU / 30U" PDNI OVER 60U" NICKEL UNDERCOAT.

### PHYSICAL CHARACTERISTICS

INSERTION LIFE : 750 MATING CYCLES WITH FCC COMPLIANT 8P PLUG.  
CONTACT FORCE : 100 GRAMS WITH FCC COMPLIANT 8P PLUG.  
PLUG RETENTION FORCE : 11 LBF MIN.  
OPERATING TEMPERATURE RANGE : -10°C TO 60°C.  
STORAGE TEMPERATURE RANGE : -40°C TO 68°C.  
HUMIDITY : 10%~90%RH.

### ELECTRICAL

INSULATION RESISTANCE : 500 MΩ.  
DIELECTRIC WITHSTANDING VOLTAGE : 1000 V AC.  
DC CURRENT RATING : 1.5 Amps.  
DC RESISTANCE : 0.1Ω.  
CONTACT RESISTANCE : 20mΩ.

### NOTE

A : WILL NOT SUPPORT CHANNEL SHORTER THAN 15M.  
B : DO NOT INSERT RJ-11 6P PLUG.

A	INITIAL RELEASE		01/06/12		
REV	DESCRIPTION OF CHANGE		DATE		
		TOLERANCE			
		INCHES	M/M		
.X	.015	.30			
.XX	.010	.10			
.XXX	.005	.05			
DRAWN BY		SCALE	3:2	REV A	DWG NO.
CHECK BY		UNIT	MM		
APPD BY		SHEET	1/1	DATE 01/06/12	
		DATE	TITLE		
		PART NO. N235-001-SH			