



Chipsmall Limited consists of a professional team with an average of over 10 year of expertise in the distribution of electronic components. Based in Hongkong, we have already established firm and mutual-benefit business relationships with customers from,Europe,America and south Asia,supplying obsolete and hard-to-find components to meet their specific needs.

With the principle of “Quality Parts,Customers Priority,Honest Operation,and Considerate Service”,our business mainly focus on the distribution of electronic components. Line cards we deal with include Microchip,ALPS,ROHM,Xilinx,Pulse,ON,Everlight and Freescale. Main products comprise IC,Modules,Potentiometer,IC Socket,Relay,Connector.Our parts cover such applications as commercial,industrial, and automotives areas.

We are looking forward to setting up business relationship with you and hope to provide you with the best service and solution. Let us make a better world for our industry!



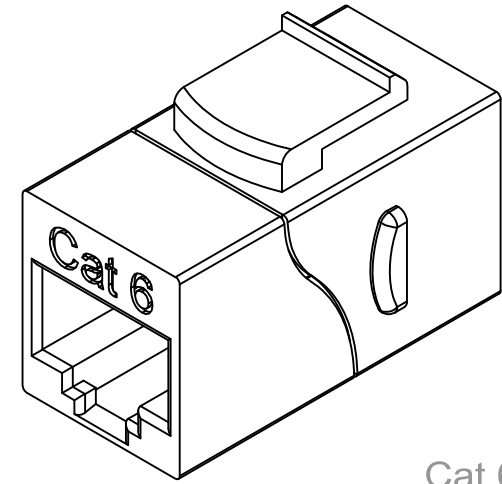
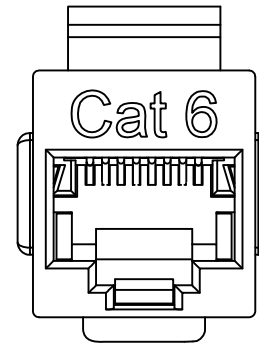
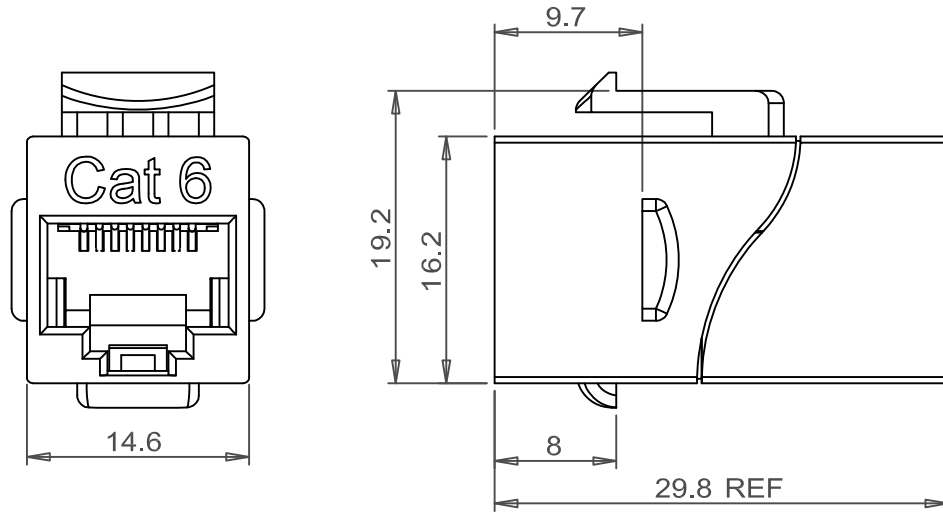
Contact us

Tel: +86-755-8981 8866 Fax: +86-755-8427 6832

Email & Skype: info@chipsmall.com Web: www.chipsmall.com

Address: A1208, Overseas Decoration Building, #122 Zhenhua RD., Futian, Shenzhen, China





Cat 6

56Y4
E145249



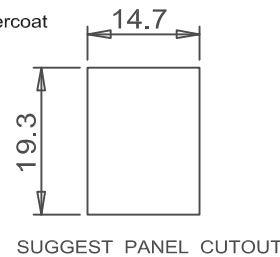
COMMUNICATION
CIRCUIT ACCESSORIES

MATERIAL

COUPLER HOUSING : Polycarbonate resin high-impact UL94V-0 thermoplastic
 CONTACT HOLDER : ABS high-impact UL94V-0 thermoplastic
 SPRING WIRE : Phosphor Bronze 5100W temper wire, $\phi=0.45\text{mm}$, 3u" Au / 30u" PdNi over 60u" Nickel undercoat

PHYSICAL CHARACTERISTICS

INSERTION LIFE : 750 MATING CYCLES WITH FCC COMPLIANT RJ-45 PLUG
 CONTACT FORCE : 100 GRAMS WITH FCC COMPLIANT RJ-45 PLUG
 PLUG RETENTION FORCE : 11 LBF MIN.
 DURABILITY : 200 TERMINATION CYCLES
 CONTACT COMPATIBILITY : ACCOMMODATES 22 TO 26 AWG SOLID / 24 AWG STRANDED
 OPERATING TEMPERATURE RANGE : $-10\text{ }^{\circ}\text{C}$ TO $60\text{ }^{\circ}\text{C}$
 STORAGE TEMPERATURE RANGE : $-40\text{ }^{\circ}\text{C}$ TO $68\text{ }^{\circ}\text{C}$
 HUMIDITY : 10%~90%RH



ELECTRICAL

INSULATION RESISTANCE : 500 M Ω
 DIELECTRIC WITHSTANDING VOLTAGE : 1000 V
 DC CURRENT RATING : 1.5 Amps
 DC RESISTANCE : 0.1 Ω
 CONTACT RESISTANCE : 20m Ω



A		INITIAL RELEASE		08/04/09	
REV		DESCRIPTION OF CHANGE		DATE	
		TOLERANCE		TRIPP-LITE	
		INCHES	M/M		
.X	.015	.30			
.XX	.010	.10	SCALE	2:1	
.XXX	.005	.05	UNIT	MM	
DRAWN BY		SHEET		1/1	
		DATE		08/04/09	
CHECK BY		TITLE		DWG NO.	
APPD BY		PART NO.		N235-001	