



Chipsmall Limited consists of a professional team with an average of over 10 year of expertise in the distribution of electronic components. Based in Hongkong, we have already established firm and mutual-benefit business relationships with customers from,Europe,America and south Asia,supplying obsolete and hard-to-find components to meet their specific needs.

With the principle of “Quality Parts,Customers Priority,Honest Operation,and Considerate Service”,our business mainly focus on the distribution of electronic components. Line cards we deal with include Microchip,ALPS,ROHM,Xilinx,Pulse,ON,Everlight and Freescale. Main products comprise IC,Modules,Potentiometer,IC Socket,Relay,Connector.Our parts cover such applications as commercial,industrial, and automotives areas.

We are looking forward to setting up business relationship with you and hope to provide you with the best service and solution. Let us make a better world for our industry!



Contact us

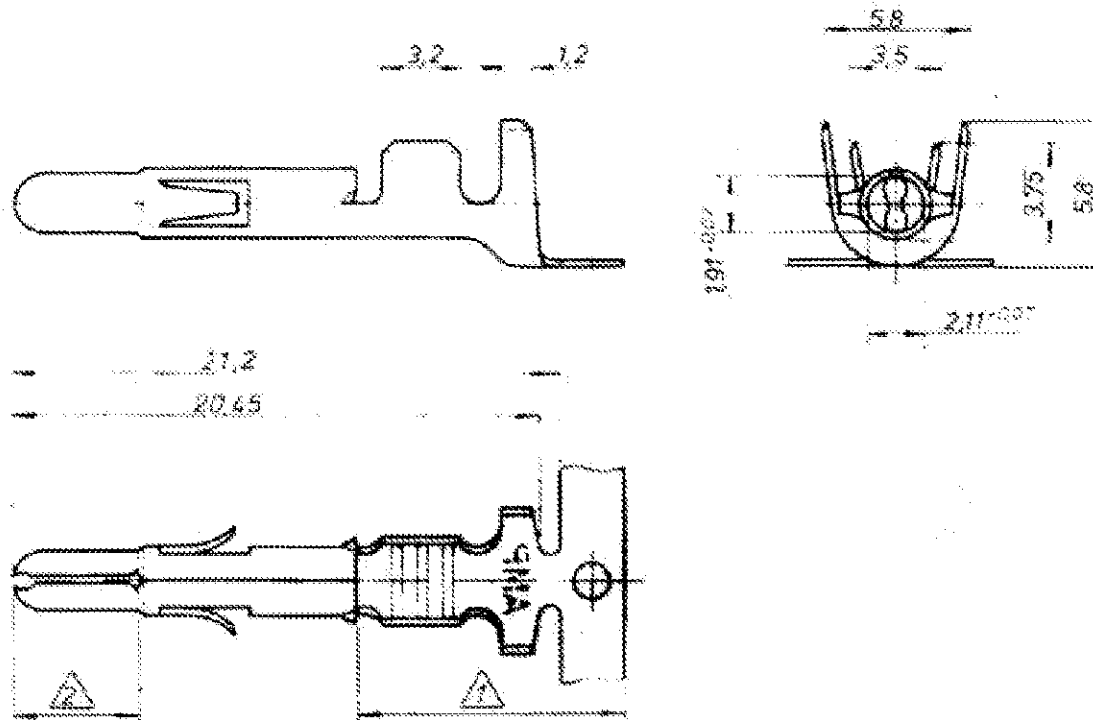
Tel: +86-755-8981 8866 Fax: +86-755-8427 6832

Email & Skype: info@chipsmall.com Web: www.chipsmall.com

Address: A1208, Overseas Decoration Building, #122 Zhenhua RD., Futian, Shenzhen, China



Index	Änderung	Datum	Name
K3	REVISED PER ECO-11-005139	28MAR11	HMR



- 1 2-5µm Sn über Ni in der Crimpzone
- 2 0.8µm Gold über Nickel in der Kontaktzone
- 3 Für Isolations Ø33-5.1 mm geeignet
- 4 **OBSOLETE PARTS: OBSOLETE CIS STREAMLINING PER D.RENAUD/D.SINISI**

4 **OBSOLETE**

926 902-7	926 899-7	CuZn30F53	1 1
926 902-6	926 899-6	CuSn4F56	1 1
926 902-5	926 899-5	CuCrZr F50	vorverzinnt
926 902-4	926 899-4	CuCrZr F50	blank
926 902-3	926 899-3	CuSn4F56	vorverzinnt
926 902-1	926 899-1	CuZn30F53	vorverzinnt
LOOSE PIECE	Bestell-Nr.	Werkstoff	Oberfläche Farbe
Get. 3.2.11	3.2.11	3.2.11	3.2.11

TE TE Connectivity

Universal M-N-L Stift
DGB 1,5-2,5mm²

K

Material	Plating	Drawing No.	REV
0.2 mm	B	926 899	K3
5/1			