



Chipsmall Limited consists of a professional team with an average of over 10 year of expertise in the distribution of electronic components. Based in Hongkong, we have already established firm and mutual-benefit business relationships with customers from,Europe,America and south Asia,supplying obsolete and hard-to-find components to meet their specific needs.

With the principle of “Quality Parts,Customers Priority,Honest Operation,and Considerate Service”,our business mainly focus on the distribution of electronic components. Line cards we deal with include Microchip,ALPS,ROHM,Xilinx,Pulse,ON,Everlight and Freescale. Main products comprise IC,Modules,Potentiometer,IC Socket,Relay,Connector.Our parts cover such applications as commercial,industrial, and automotives areas.

We are looking forward to setting up business relationship with you and hope to provide you with the best service and solution. Let us make a better world for our industry!



Contact us

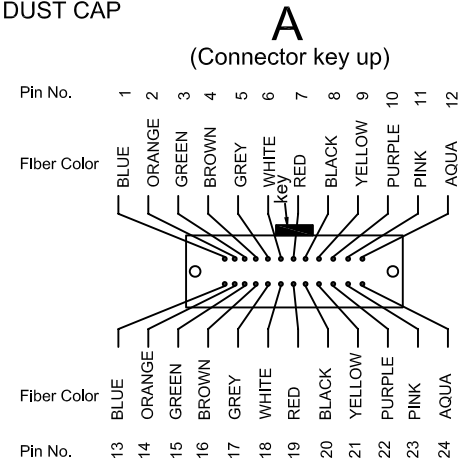
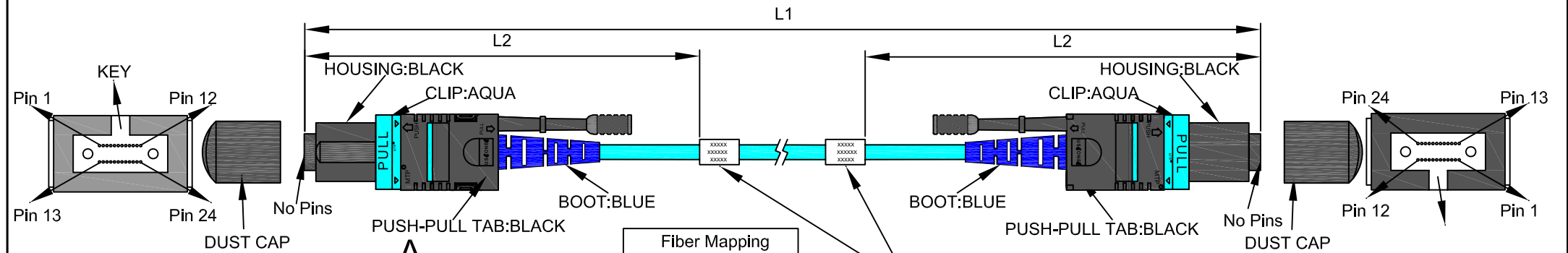
Tel: +86-755-8981 8866 Fax: +86-755-8427 6832

Email & Skype: info@chipsmall.com Web: www.chipsmall.com

Address: A1208, Overseas Decoration Building, #122 Zhenhua RD., Futian, Shenzhen, China



REV	Updated Description	Updated Date	Approved
A/B	Add MTP Push Pull tabs .	09-17-2014	CSM



Fiber Mapping	
key up	key down
A	B
1 BLUE	13
2 ORANGE	14
3 GREEN	15
4 BROWN	16
5 GREY	17
6 WHITE	18
7 RED	19
8 BLACK	20
9 YELLOW	21
10 PURPLE	22
11 PINK	23
12 AQUA	24
13 BLUE	1
14 ORANGE	2
15 GREEN	3
16 BROWN	4
17 GREY	5
18 WHITE	6
19 RED	7
20 BLACK	8
21 YELLOW	9
22 PURPLE	10
23 PINK	11
24 AQUA	12

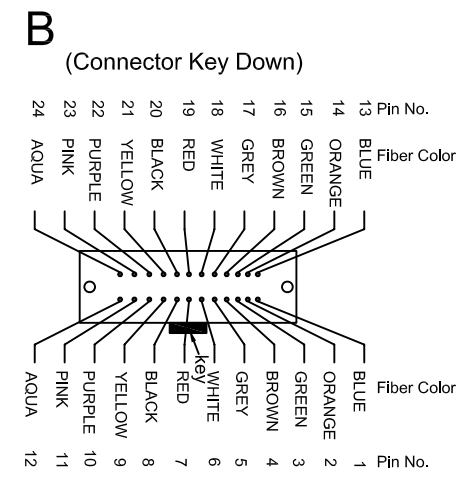
CABLE LABEL
(25mm*36mm/PVC)

www.triplite.com
MTP-MTP,100GB 24F
xxxxBWWN846xxM24P00001

Part No.:N846-L1-24-P
Length: 01M ,05M...10M...
Serial Number:
xxxxBWWN846xxM24P00001

xx:Plant
x:Rev.
xx:Week
xx:Year

L1 Length	Error: ΔL	L2 Length
L1 < 0.5 m	0 ≤ ΔL ≤ 50mm	have one label in the middle of cable
0.5m ≤ L1 < 1m	0 ≤ ΔL ≤ 50mm	100 ± 10mm
1m ≤ L1 ≤ 10m	-50 ≤ ΔL ≤ 100mm	240 ± 10mm
L1 > 10m	-50 ≤ ΔL ≤ %1	240 ± 10mm



Specification:

1	Connector A/B	24F MTP/PC (Female) (Push Pull Tabs)		
2	Insertion Loss	≤0.6dB (λ =850nm)		
3	Cable Type	24 Strand Cable , MM50/125 (OM3) , Round 3.0mm Jacket		
4	Cable Parameters	Items		
		Specifications		
		Fiber Count	24	
		Tight Buffered Fiber	Coating Diameter	245±10μm
			Color	2x12 Colors
			Diameter	2.9±0.1mm
		Outer Jacket	Material	OFNP
			Color	AQUA
			Min.Bend Radius (Dynamic)	mm
		Min.Bend Radius (Static)	mm	10D
Operate Temperature	°C	-20~+60		
Storage of Temperature	°C	-20~+60		
Attenuation(Max.)	850nm	2.5dB/Km		
	1300nm	0.7dB/Km		



	NAME: 100/120GbE CXP 24F MTP w/ Pull Tabs		
	UNIT: mm		PART NO.: N846-xxM-24-P
MAT'L:	DR: CZQ	09-17-2014	TITLE: 100GBASE-SR10, 24 strand, Plenum, MTP-MTP (F-F) key-up to key-down w/ Push Pull Tabs . DWG NO.: 99TL/TI-151070
	CHK: CHD	09-17-2014	
Q'TY:	APPD: CSM	09-17-2014	PAGE 1/1 Rev. B RoHS