



Chipsmall Limited consists of a professional team with an average of over 10 year of expertise in the distribution of electronic components. Based in Hongkong, we have already established firm and mutual-benefit business relationships with customers from,Europe,America and south Asia,supplying obsolete and hard-to-find components to meet their specific needs.

With the principle of “Quality Parts,Customers Priority,Honest Operation,and Considerate Service”,our business mainly focus on the distribution of electronic components. Line cards we deal with include Microchip,ALPS,ROHM,Xilinx,Pulse,ON,Everlight and Freescale. Main products comprise IC,Modules,Potentiometer,IC Socket,Relay,Connector.Our parts cover such applications as commercial,industrial, and automotives areas.

We are looking forward to setting up business relationship with you and hope to provide you with the best service and solution. Let us make a better world for our industry!



Contact us

Tel: +86-755-8981 8866 Fax: +86-755-8427 6832

Email & Skype: info@chipsmall.com Web: www.chipsmall.com

Address: A1208, Overseas Decoration Building, #122 Zhenhua RD., Futian, Shenzhen, China



Lift Door Unlocking & Cabin Levelling Safety Module NA1/2-D LIFT

CARLO GAVAZZI



- Certified according to the Lift Directive and EN 81-1, /-2, EN 12015 and EN 12016
- Redundant circuit
- Force guided relay contacts
- Dual channel input
- 2 NO safety outputs
- Failure diagnosis by LEDs
- Feedback circuit for external contactors monitoring
- Possibility to connect mechanical or magnetic switches for lift cabin position monitoring
- Automatic or manual start
- Approval:



Product Description

Lift door unlocking and lift cabin levelling safety module, designed according to Lift Directive 95/16/CE and to safety circuits requirements of EN 81-1, /-2, EN 12015 and EN 12016 Standards. The module is provided with safety outputs with force guided relay contacts, and feedback circuit. Suited for applications of risk category 4.

Ordering Key

NA1/2-D LIFT

Case _____
 Application _____
 Controlled Devices _____
 Safety Outputs _____
 Safety Category _____
 Specific Version _____

Electrical Specifications

Power supply	24 Vac -15/+10% 50-60Hz / 24 Vdc -15/+10%	Safety output switching voltage /current /capability	AC 230/240 Vac/8A/1380VA DC 300 V/6A/1380 VA
Power consumption	< 5 VA / 5 W	Safety output contact fuse protection	5 A fast or 4 A delayed
Input current/voltage	70 mA @ 24 Vdc, without load	Insulation voltage	2.5 KV for signal parts; 4.0 KV for safety output parts: Pollution degree 2 Overvoltage category III
Safety outputs	2 NO		
Auxiliary outputs	--		

Time Specifications

Delay on energisation	≤ 150 ms
Delay on de-energisation	≤ 25 ms
Channel simultaneity	∞

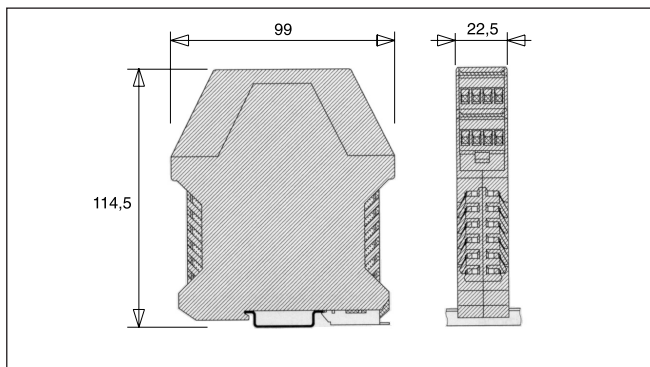
Environmental Specifications

Operating temperature	-20°C to + 65°C
Storage temperature	-25°C to + 65°C

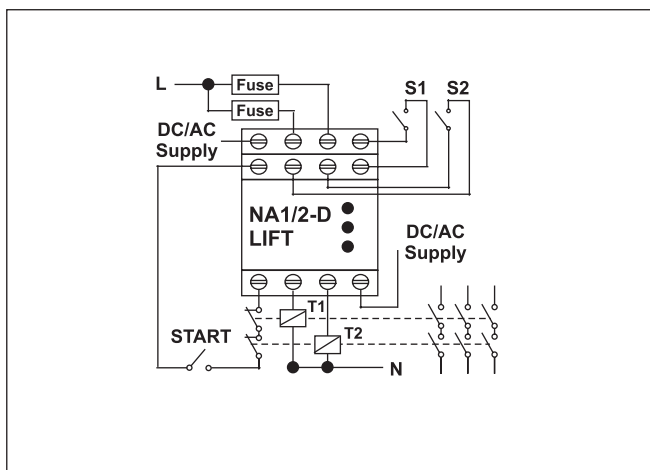
Mechanical Specifications

Protection degree terminals	IP 20	Max cross section of external conductors	2.5 mm ² flexible wire 2.5 mm ² rigid wire
Protection degree housing	IP 40	Dimensions (H x W x D)	99x22.5x105 mm
Housing material	Polyamid PA 6.6	Weight	200 g
Housing type	22.5 mm housing models		
Mounting	DIN rail		

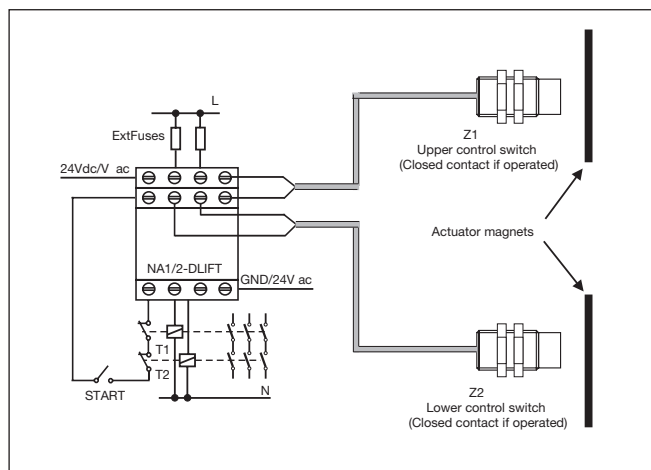
Dimensions



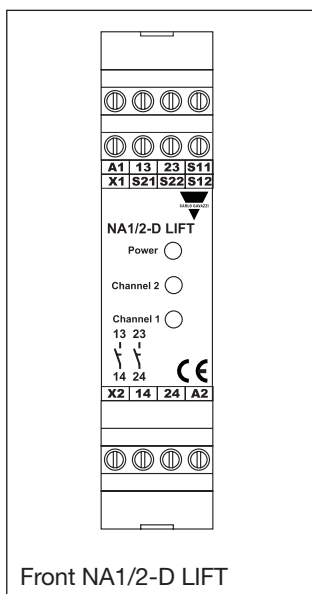
Wiring Diagrams



Application



Connection Sample



Connections

Terminal	Function/Connection
A1	+24 Vdc or AC supply
A2	GND or AC supply
S11-S12	First input channel (NO)
S21-S22	Second input channel (NO)
X1-X2	Feedback and Reset circuit input
13-14	First safety output (NO)
23-24	Second safety output (NO)