



Chipsmall Limited consists of a professional team with an average of over 10 year of expertise in the distribution of electronic components. Based in Hongkong, we have already established firm and mutual-benefit business relationships with customers from,Europe,America and south Asia,supplying obsolete and hard-to-find components to meet their specific needs.

With the principle of “Quality Parts,Customers Priority,Honest Operation,and Considerate Service”,our business mainly focus on the distribution of electronic components. Line cards we deal with include Microchip,ALPS,ROHM,Xilinx,Pulse,ON,Everlight and Freescale. Main products comprise IC,Modules,Potentiometer,IC Socket,Relay,Connector.Our parts cover such applications as commercial,industrial, and automotives areas.

We are looking forward to setting up business relationship with you and hope to provide you with the best service and solution. Let us make a better world for our industry!



Contact us

Tel: +86-755-8981 8866 Fax: +86-755-8427 6832

Email & Skype: info@chipsmall.com Web: www.chipsmall.com

Address: A1208, Overseas Decoration Building, #122 Zhenhua RD., Futian, Shenzhen, China



Emergency Stop and Safety Gate Modules

NA1/3-D, NA1/3-D/230

CARLO GAVAZZI



- Safety Category 4 according to EN 954-1
- Category 0 Emergency Stop
- 3 NO safety outputs
- 24 VAC / VDC, 110 or 230 VAC power supply
- single/dual channel
- automatic or manual reset
- self monitoring
- Failure diagnosis by LEDs
- Approvals:



Product Description

Emergency Stop and Safety Gate modules according to EN 60204-1, EN 292-1/-2, EN 418 and EN 1088. This family of safety module in Safety Category 4,

includes 24 Vac/Vdc, 110 or 230 Vac. Every model is characterized by dual channel input and safety output contacts with force guided relay outputs.

Ordering Key

NA1/3-D/230

Case _____
 Application _____
 Controlled Devices _____
 Safety Outputs _____
 Safety Category _____
 Power Supply _____

Type Selection

Power supply	References
24 VAC/VDC	NA1/3-D
110 VAC	NA1/3-D/110
230 VAC	NA1/3-D/230

Electrical Specifications

Power supply	NA1/3-D	NA1/3-D/110	NA1/3-D 230
Power supply	24 Vac/dc \pm 10%	110 Vac \pm 10%	230 Vac \pm 10%
Power consumption	3 VA / 3 W		
Input current/voltage	0.9 to 1.1 V		
Safety outputs	3 NO		
Auxiliary outputs	1 NC		

Switching voltage / current / capability	NA1/3-D	NA1/3-D/110	NA1/3-D 230
Switching voltage / current / capability	24 Vdc / 5A	110 Vac / 5A	230 Vac / 5A
Contact fuse protection	5 A fast or 4 A slow		
Insulation voltage	Pollution degree: 2. Overvoltage Category: 3 / 250 V Basis insulation: Overvoltage Category: 3 / 250 V		

Time Specifications

Delay on energisation	-
Delay on de-energisation	< 30 ms
Channel simultaneity	∞

Environmental Specifications

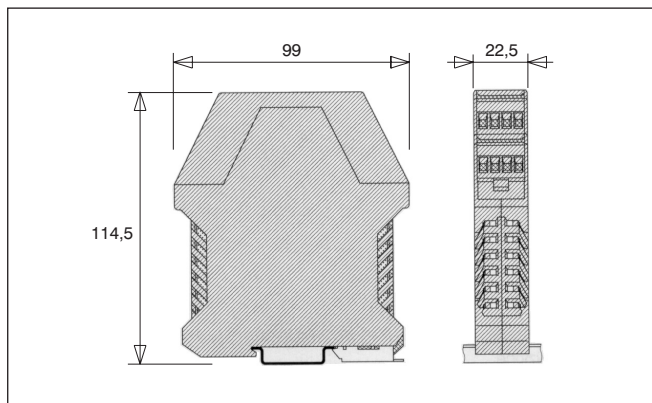
Operating temperature	-25°C to + 55°C
Storage temperature	-25°C to + 65°C

Mechanical Specifications

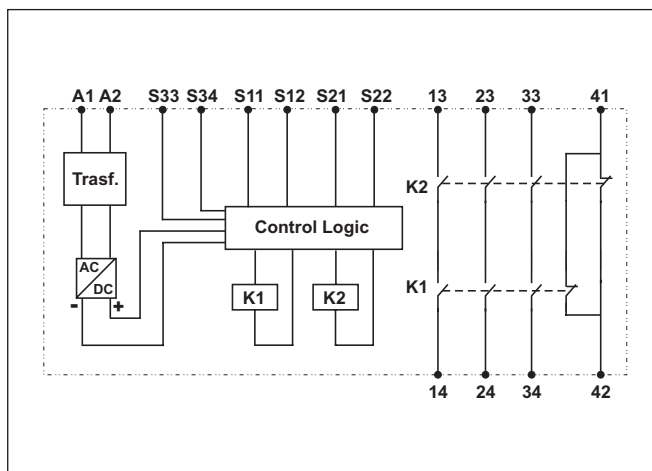
Protection degree terminals	IP 20
Protection degree housing	IP 40
Housing material	Polyamid PA6.6
Housing type	22.5 mm housing models
Mounting	DIN rail

Max cross section of external conductors	2.5 mm ² rigid wire 2.5 mm ² flexible wire
Dimensions (H x W x D)	22.5 x 114.5 x 99 mm
Weight	NA1/3-D 170 g NA1/3-D/110 238 g NA1/3-D 230 238 g

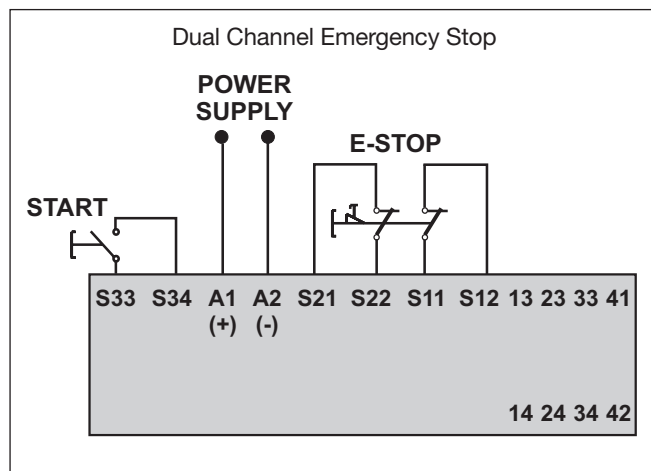
Dimensions



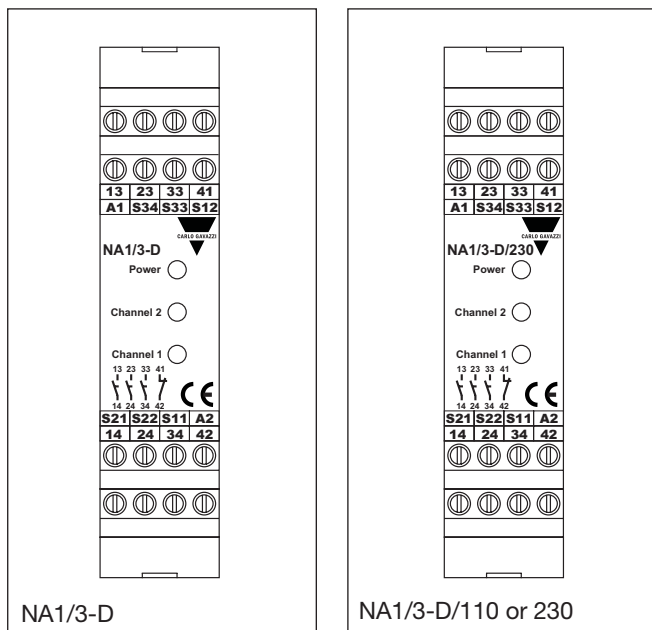
Wiring Diagrams



Application



Connection Sample



Connections

Terminal Function	Connection
A1	+24 Vdc or AC supply
A2	GND or AC supply
S11-S12	First input channel (E-STOP or Safety Switch Channel 1)
S21-S22	Second input channel (E-STOP or Safety Switch Channel 2)
S33-S34	START (automatic or manual)
13-14	First safety output (N.O.)
23-24	Second safety output (N.O.)
33-34	Third safety output (N.O.)
41-42	Auxiliary output (N.C.)