



Chipsmall Limited consists of a professional team with an average of over 10 year of expertise in the distribution of electronic components. Based in Hongkong, we have already established firm and mutual-benefit business relationships with customers from,Europe,America and south Asia,supplying obsolete and hard-to-find components to meet their specific needs.

With the principle of “Quality Parts,Customers Priority,Honest Operation,and Considerate Service”,our business mainly focus on the distribution of electronic components. Line cards we deal with include Microchip,ALPS,ROHM,Xilinx,Pulse,ON,Everlight and Freescale. Main products comprise IC,Modules,Potentiometer,IC Socket,Relay,Connector.Our parts cover such applications as commercial,industrial, and automotives areas.

We are looking forward to setting up business relationship with you and hope to provide you with the best service and solution. Let us make a better world for our industry!



Contact us

Tel: +86-755-8981 8866 Fax: +86-755-8427 6832

Email & Skype: info@chipsmall.com Web: www.chipsmall.com

Address: A1208, Overseas Decoration Building, #122 Zhenhua RD., Futian, Shenzhen, China





Copyright FCI.



FCIconnect.com



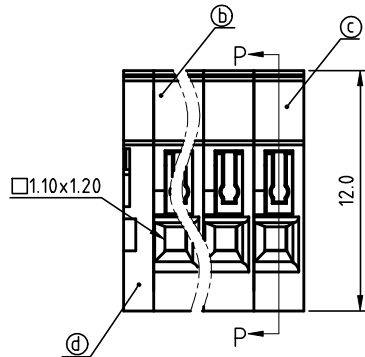
1

2

3

4

PRODUCT NUMBER	PITCH
NAxxB0x100J0G	2.50 mm

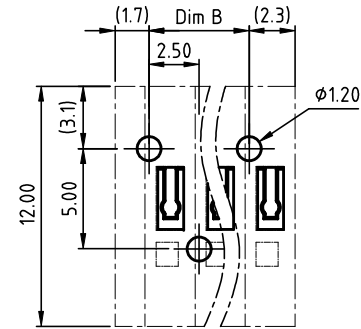


N=Number of poles
 Dim A=Nx2.5+1.5
 Dim B=(N-1)x2.5

Poles	Tolerance
3p/5p	±0.20
7p/9p/11p	±0.25
13p/15p/17p 19/21p/23p	±0.30

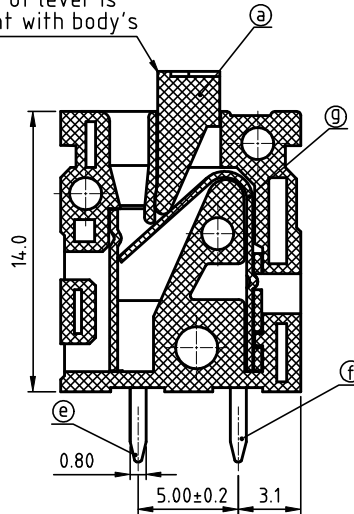
PART NO.: NA xx B0 x 1 00J0 G

- | | | | | | |
|---------------|----------|-------|--------------------|-----------------|-----------|
| End stackable | 0 | Color | Black (RAL9005) | RoHS compliant | (lead<4%) |
| No. of poles | 2 | | Red (RAL3001/D) | In copper Alloy | |
| 03 | 3 poles | | Orange(RAL2011/P) | | |
| 05 | 5 poles | | Yellow(RAL1018/A) | | |
| ... | ... | | 5 Green(RAL6018/T) | | |
| 23 | 23 poles | | 6 Blue (RAL5015/A) | | |
| | | | 8 Grey(RAL7004/P) | | |
| | | | 9 White(RAL1102) | | |
| | | | C Multiple colors | | |



RECOMMENDED P.C.B LAYOUT
TOP VIEW

The color of lever is consistent with body's



SECTION P-P

Material:

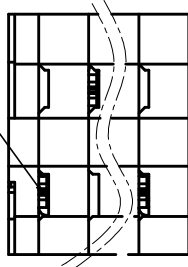
- Item@ Terminal lever: Thermoplastic (UL94 V-0)
- Item@ Terminal Normal housing: Thermoplastic (UL94 V-0)
- Item@ Terminal side body Thermoplastic (UL94 V-0)
- Item@ Terminal cover: Thermoplastic (UL94 V-0)
- Item@ Left contacts pin omit Right side: Brass Tin plated
- Item@ Right contacts pin omit Left side: Brass Tin plated
- Item@ wire guard: Stainless steel

- Electrical cULus
- Voltage rating: 150V
 - Current rating: 3A
 - Wire range: 0.08-0.52mm²
 - Solid wire(AWG): 20-28
 - Stranded wire(AWG): 20-28
 - Wire strip length: 9-10mm
 - Withstanding Voltage: 1.3KV
 - Operating temperature: -40°C to +115°C
 - Soldering temperature: 260°C±5°C/5 Sec
 - Safety Approval: cULus

A

A

Left contacts pin omit
Right side with cover



B

B

mat'l. code		surface	tolerance	projection	product family	
		ASME Y14.5	ASME Y14.5		TERMINAL BLOCK	
ltr	ecn no	dr	date	title		
				TERMINAL BLOCK		
				SPRING CLAMP,90D WIRE INLET,B TYPE		
				ODD POLES		
				scale	dwg no	sheet 1 of 2 size
					NAxxB0x100J0G	A4
				type		
				CUSTOMER Drawing		
sheet	revision	A				
index	sheet	1				

form: A4mmXLc

1

2

3

4



Copyright FCI.



FCIconnect.com



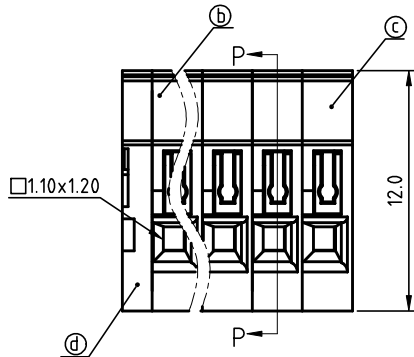
1

2

3

4

PRODUCT NUMBER	PITCH
NAxxB0x100J0G	2.50 mm

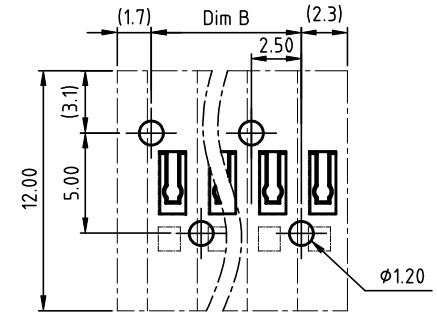


N=Number of poles
 Dim A=Nx2.5+1.5
 Dim B=(N-1)x2.5

Poles	Tolerance
2p/4P/6P	±0.20
8p/10P/12P	±0.25
14P/16P/18P	±0.30
20P/22P/24P	

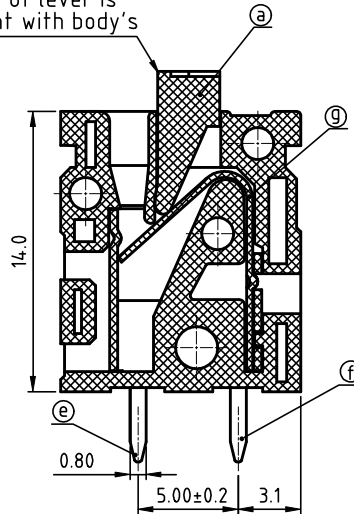
PART NO.: NA xx B0 x 1 00J0 G

	Color	RoHS compliant (lead<4%) In copper Alloy
End stackable 0	Black (RAL9005)	
No. of poles 2	Red (RAL3001/D)	
02 2 poles 3	Orange(RAL2011/P)	
04 4 poles 4	Yellow(RAL1018/A)	
... .. 5	Green(RAL6018/T)	
24 24 poles 6	Blue (RAL5015/A)	
	8 Grey(RAL7004/P)	
	9 White(RAL1102)	
	C Multiple colors	



RECOMMENDED P.C.B LAYOUT
TOP VIEW

The color of lever is consistent with body's



SECTION P-P

Material:

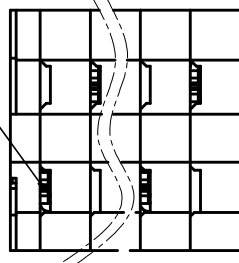
- Item@ Terminal lever: Thermoplastic (UL94 V-0)
- Itemⓐ Terminal Normal housing: Thermoplastic (UL94 V-0)
- Itemⓐ Terminal side body Thermoplastic (UL94 V-0)
- Itemⓐ Terminal cover: Thermoplastic (UL94 V-0)
- Itemⓐ Left contacts pin omit Right side: Brass Tin plated
- Itemⓐ Right contacts pin omit Left side: Brass Tin plated
- Itemⓐ wire guard: Stainless steel

- Electrical cULus
- Voltage rating: 150V
 - Current rating: 3A
 - Wire range: 0.08-0.52mm²
 - Solid wire(AWG): 20-28
 - Stranded wire(AWG): 20-28
 - Wire strip length: 9-10mm
 - Withstanding Voltage: 1.3KV
 - Operating temperature: -40°C to +115°C
 - Soldering temperature: 260°C±5°C/5 Sec
 - Safety Approval: cULus

A

A

Left contacts pin omit
Right side with cover



B

B

mat'l. code		surface ASME Y14.5	tolerance ASME Y14.5	projection	product family
ltr ecn no dr date		tolerances unless otherwise specified		MM	TERMINAL BLOCK
		angles	X.±0.5	scale	title TERMINAL BLOCK SPRING CLAMP,90D WIRE INLET,B TYPE EVEN POLES
		X.X±0.3	X.XX±0.1		
		X'±1"			
dr	EVIN ZHONG	052314		FCI	dwg no
enr	EVIN ZHONG	052314			sheet 2 of 2 size
chr	HANKE FENG	052314			NAxxB0x100J0G
appd	SHI JUN	052314			A4
sheet index	revision sheet	A 2		type	CUSTOMER Drawing

form: A4mmXLc

1

2

3

4