



Chipsmall Limited consists of a professional team with an average of over 10 year of expertise in the distribution of electronic components. Based in Hongkong, we have already established firm and mutual-benefit business relationships with customers from,Europe,America and south Asia,supplying obsolete and hard-to-find components to meet their specific needs.

With the principle of “Quality Parts,Customers Priority,Honest Operation,and Considerate Service”,our business mainly focus on the distribution of electronic components. Line cards we deal with include Microchip,ALPS,ROHM,Xilinx,Pulse,ON,Everlight and Freescale. Main products comprise IC,Modules,Potentiometer,IC Socket,Relay,Connector.Our parts cover such applications as commercial,industrial, and automotives areas.

We are looking forward to setting up business relationship with you and hope to provide you with the best service and solution. Let us make a better world for our industry!



Contact us

Tel: +86-755-8981 8866 Fax: +86-755-8427 6832

Email & Skype: info@chipsmall.com Web: www.chipsmall.com

Address: A1208, Overseas Decoration Building, #122 Zhenhua RD., Futian, Shenzhen, China



NB3M8304C

3.3 V 200 MHz 1:4 LVCMOS/LVTTL Low Skew Fanout Buffer

Description

The NB3M8304C is 1:4 fanout buffer with LVCMOS/LVTTL input and output. The device supports the core supply voltage of 3.3 V (V_{DD} pin) and output supply voltage of 2.5 V or 3.3 V (V_{DDO} pin). The V_{DDO} pin powers the four single ended LVCMOS/LVTTL outputs.

The NB3M8304C is Form, Fit and Function (pin to pin) compatible to ICS8304 and ICS8304I. The NB3M8304C is qualified for industrial operating temperature range.

Features

- Input Clock Frequency up to 200 MHz
- Low Output to Output Skew: 45 ps max
- Low Part to Part Skew: 500 ps max
- Low Additive RMS Phase Jitter
- Input Clock Accepts LVCMOS/ LVTTL Levels
- Operating Voltage:
 - ◆ Core Supply: $V_{DD} = 3.3 \text{ V} \pm 5\%$
 - ◆ Output Supply: $V_{DDO} = 3.3 \text{ V} \pm 5\%$ or $2.5 \text{ V} \pm 5\%$
- Operating Temperature Range:
 - ◆ Industrial: -40°C to $+85^{\circ}\text{C}$
- These Devices are Pb-Free and are RoHS Compliant

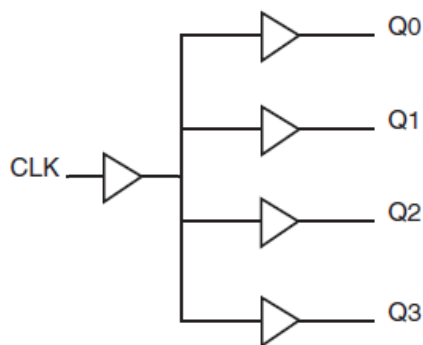


Figure 1. Block Diagram



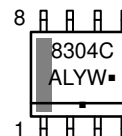
ON Semiconductor®

www.onsemi.com

MARKING DIAGRAMS*



SOIC-8
D SUFFIX
CASE 751



A = Assembly Location
L = Wafer Lot
Y = Year
W = Work Week
▪ = Pb-Free Package

(Note: Microdot may be in either location)

ORDERING INFORMATION

See detailed ordering and shipping information on page 5 of this data sheet.

NB3M8304C

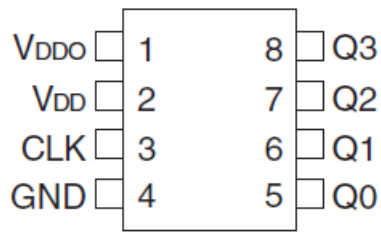


Figure 2. Pin Configuration (Top View)

Table 1. PIN DESCRIPTION

Pin Number	Name	Type	Description
1	VDDO	Output Power	Clock output Supply pin.
2	VDD	Input and Core Power	Input and Core Supply pin.
3	CLK	LVC MOS/LVTTL Input	Clock Input. Internally pull-down.
4	GND	Ground	Supply Ground.
5, 6, 7, 8	Q[0:3]	LVC MOS/LVTTL Output	LVC MOS/LVTTL Clock output.

Table 2. MAXIMUM RATINGS

Symbol	Parameter	Condition	Min	Max	Unit
V_{DD}, V_{DDO}	Power Supply		-	4.6	V
V_I	Input Voltage		-0.5	$V_{DD} + 0.5$	V
T_{stg}	Storage Temperature		-65	+150	°C
θ_{JA}	Thermal Resistance (Junction-to-Ambient) SOIC-8	0 lfpm 500 lfpm		80 55	°C/W
θ_{JC}	Thermal Resistance (Junction to Case) (Note 1)			12-17	°C/W
T_{sol}	Wave Solder	3 sec		265	°C
MSL	Moisture Sensitivity SOIC-8	Indefinite Time Out of Drypack (Note 2)	Level 1		

Stresses exceeding those listed in the Maximum Ratings table may damage the device. If any of these limits are exceeded, device functionality should not be assumed, damage may occur and reliability may be affected.

1. JEDEC standard multilayer board – 2S2P (2 signal, 2 power)
2. For additional information, see Application Note AND8003/D.

NB3M8304C

Table 3. DC OPERATING CHARACTERISTICS ($V_{DD} = 3.3\text{ V} \pm 5\%$; $T_A = -40^\circ\text{C}$ to $+85^\circ\text{C}$)

Symbol	Parameter	Condition	Min	Typ	Max	Unit
R_{IN}	Input Pull-down Resistor (CLK Pin)			51		$k\Omega$
C_{IN}	Input Capacitance			4		pF
R_{OUT}	Output Impedance (Note 3)		5	7	12	Ω
C_{PD}	Power Dissipation Capacitance (per output)	$V_{DD} = V_{DDO} = 3.465\text{ V}$		15		pF
V_{DD}	Core Supply Voltage		3.135	3.3	3.465	V
I_{IH}	Input High Current	$V_{IN} = V_{DD} = 3.465\text{ V}$			150	μA
I_{IL}	Input Low Current	$V_{DD} = 3.465\text{ V}, V_{IN} = 0.0\text{ V}$	-0.5			μA

3. Outputs terminated with 50Ω to $V_{DDO}/2$. See Figure 4 for supply considerations.

Product parametric performance is indicated in the Electrical Characteristics for the listed test conditions, unless otherwise noted. Product performance may not be indicated by the Electrical Characteristics if operated under different conditions.

Table 4. DC OPERATING CHARACTERISTICS ($T_A = -40^\circ\text{C}$ to $+85^\circ\text{C}$)

Symbol	Parameter	Condition	Min	Max	Unit
--------	-----------	-----------	-----	-----	------

$V_{DD} = 3.3\text{ V} \pm 5\%$, $V_{DDO} = 2.5\text{ V} \pm 5\%$

V_{DDO}	Output Supply Voltage		2.375	2.625	V
V_{OH}	Output HIGH Voltage	$I_{OH} = -100\ \mu\text{A}$	2.2		V
		$I_{OH} = -16\ \text{mA}$	2.1		
		$50\ \Omega$ to $V_{DDO}/2$	2.1		
V_{OL}	Output LOW Voltage	$I_{OL} = 16\ \text{mA}$		0.25	
		$I_{OL} = 100\ \mu\text{A}$		0.2	V
		$50\ \Omega$ to $V_{DDO}/2$		0.5	

$V_{DD} = V_{DDO} = 3.3\text{ V} \pm 5\%$

V_{DDO}	Output Supply Voltage		3.135	3.465	V
V_{OH}	Output HIGH Voltage	$I_{OH} = -16\ \text{mA}$	2.9		V
		$I_{OH} = -100\ \mu\text{A}$	3		
		$50\ \Omega$ to $V_{DDO}/2$	2.6		
V_{OL}	Output LOW Voltage	$I_{OL} = 16\ \text{mA}$		0.25	
		$I_{OL} = 100\ \mu\text{A}$		0.15	V
		$50\ \Omega$ to $V_{DDO}/2$		0.5	

Table 5. DC OPERATING CHARACTERISTICS

($T_A = -40^\circ\text{C}$ to $+85^\circ\text{C}$; $V_{DD} = V_{DDO} = 3.3\text{ V} \pm 5\%$; $V_{DD} = 3.3\text{ V} \pm 5\%$, $V_{DDO} = 2.5\text{ V} \pm 5\%$)

Symbol	Parameter	Condition	Min	Max	Unit
I_{DD}	Quiescent Power Supply Current	No Load		15	mA
I_{DDO}	Quiescent Power Supply Current	No Load		8	mA
V_{IH}	Input HIGH Voltage		2	$V_{DD} + 0.3$	V
V_{IL}	Input LOW Voltage		-0.3	1.3	V

NB3M8304C

Table 6. AC CHARACTERISTICS (Note 4)

Symbol	Parameter	Condition	Min	Typ	Max	Unit
$T_A = -40^{\circ}\text{C to }+85^{\circ}\text{C}; V_{DD} = 3.3\text{ V } \pm 5\%, V_{DDO} = 3.3\text{ V } \pm 5\%$						
F_{IN}	Input Frequency				200	MHz
t_{PLH}	Propagation Delay (Note 5)	$F_{in} = 200\text{ MHz}$	1.9		3.3	ns
t_{SKEW}	Output to Output Skew(Note 6)			25	45	ps
	Part to Part Skew (Note 6)			250	800	ps
t_{SKEWDC}	Output Duty Cycle (see Figure 3)	$F_{in} = 200\text{ MHz}$	40		60	%
t_r/t_f	Output rise and fall times (Note 7)	30% to 70%, $R_S = 33\ \Omega$, $CL = 10\text{ pF}$	250		500	ps

$T_A = -40^{\circ}\text{C to }+85^{\circ}\text{C}; V_{DD} = 3.3\text{ V } \pm 5\%, V_{DDO} = 2.5\text{ V } \pm 5\%$

F_{IN}	Input Frequency				200	MHz
t_{PLH}	Propagation Delay (Note 5)	$F_{in} = 200\text{ MHz}$	2.2		3.7	ns
t_{SKEW}	Output to Output Skew(Note 6)			25	45	ps
	Part to Part Skew (Note 6)			250	500	ps
t_{SKEWDC}	Output Duty Cycle (see Figure 3)	$F_{in} = 200\text{ MHz}$	40		60	%
t_r/t_f	Output rise and fall times (Note 7)	30% to 70%, $R_S = 33\ \Omega$, $CL = 10\text{ pF}$	200		500	ps

4. Clock input with 50% duty cycle. Outputs terminated with $50\ \Omega$ to $V_{DDO}/2$. See Figures 3 and 4.

5. Measured from $V_{DD}/2$ of the input to $V_{DDO}/2$ of the output.

6. Similar input conditions and the same supply voltages. Measured at $V_{DDO}/2$. See Figures 3 and 4.

7. R_S is Series Resistance and CL is Load Capacitance at the clock outputs.

NOTE: Device will meet the specifications after thermal equilibrium has been established when mounted in a test socket or printed circuit board with maintained transverse airflow greater than 500 lfm. Electrical parameters are guaranteed only over the declared operating temperature range. Functional operation of the device exceeding these conditions is not implied. Device specification limit values are applied individually under normal operating conditions and not valid simultaneously.

NB3M8304C

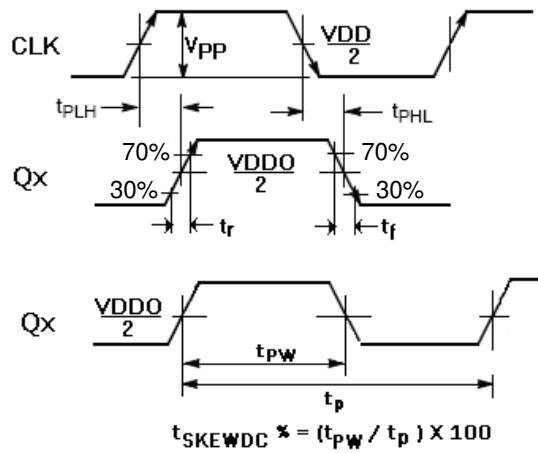
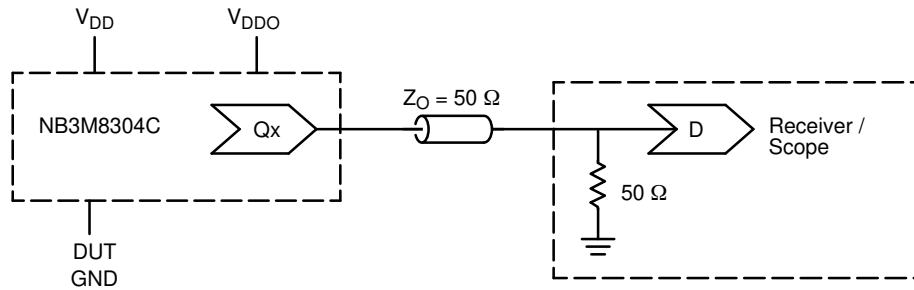


Figure 3. AC Reference Measurement



Spec Condition:	TEST SETUP V _{DD} :	TEST SETUP V _{DDO} :	TEST SETUP DUT GND:
V _{DD} = V _{DDO} = 3.3 V ±5%	1.65 V ±5%	1.65 V ±5%	-1.65 V ±5%
V _{DD} = 3.3 V ±5%; V _{DDO} = 2.5 V ±5%	2.05 V ±5%	1.25 V ±5%	-1.25 V ±5%

Figure 4. Output Driver Typical Device Evaluation and Termination Setup

ORDERING INFORMATION

Device	Package	Shipping [†]
NB3M8304CDG	SOIC-8 (Pb-Free)	98 Units / Rail
NB3M8304CDR2G	SOIC-8 (Pb-Free)	2500 / Tape & Reel

[†]For information on tape and reel specifications, including part orientation and tape sizes, please refer to our Tape and Reel Packaging Specifications Brochure, BRD8011/D.

