



Chipsmall Limited consists of a professional team with an average of over 10 year of expertise in the distribution of electronic components. Based in Hongkong, we have already established firm and mutual-benefit business relationships with customers from,Europe,America and south Asia,supplying obsolete and hard-to-find components to meet their specific needs.

With the principle of “Quality Parts,Customers Priority,Honest Operation,and Considerate Service”,our business mainly focus on the distribution of electronic components. Line cards we deal with include Microchip,ALPS,ROHM,Xilinx,Pulse,ON,Everlight and Freescale. Main products comprise IC,Modules,Potentiometer,IC Socket,Relay,Connector.Our parts cover such applications as commercial,industrial, and automotives areas.

We are looking forward to setting up business relationship with you and hope to provide you with the best service and solution. Let us make a better world for our industry!



## Contact us

Tel: +86-755-8981 8866 Fax: +86-755-8427 6832

Email & Skype: info@chipsmall.com Web: www.chipsmall.com

Address: A1208, Overseas Decoration Building, #122 Zhenhua RD., Futian, Shenzhen, China



# NB3U1548C

## 3.3V/2.5V/1.8V/1.5V 160 MHz 1:4 LVC MOS/LVTTL Low Skew Over Voltage Tolerant Fanout Buffer

### Description

The NB3U1548C is an LVC MOS, overvoltage tolerant clock fanout buffer targeted for clock generation in high performance telecommunication, networking and computing applications. The device is optimized for low skew clock distribution in low voltage applications. The input overvoltage tolerance enables using this device in mixed mode voltage applications. An output enable pin controls whether the outputs are in the active or high impedance state. Guaranteed output skew characteristics make the NB3U1548C ideal for those applications demanding well defined performance and repeatability. The NB3U1548C is packaged in a small SOIC-8 and in a TSSOP-8 package.

### Features

- Low skew 1:4 Fanout Buffer
- Supports 3.3 V, 2.5 V, 1.8 V and 1.5 V Power Supplies
- LVC MOS Input and Output Levels
- 3.6 V Overvoltage Tolerance at the Clock and Control Inputs
- Supports Clock Frequencies up to 160 MHz
- LVC MOS Compatible Control Input for Output Disable
- Output Disabled to a High Impedance State
- -40°C to 85°C Ambient Operating Temperature
- Available in Pb-Free RoHS Compliant Packages (SOIC-8, TSSOP-8)
- These Devices are Pb-Free and are RoHS Compliant

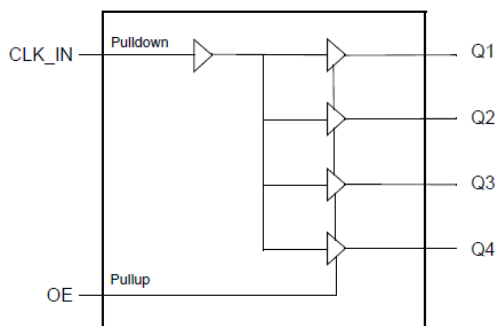


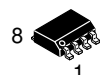
Figure 1. Block Diagram



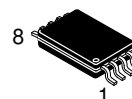
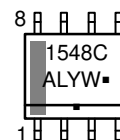
ON Semiconductor®

[www.onsemi.com](http://www.onsemi.com)

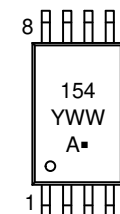
### MARKING DIAGRAMS



SOIC-8  
D SUFFIX  
CASE 751



TSSOP-8  
DT SUFFIX  
CASE 948S



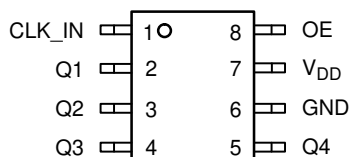
A = Assembly Location  
L = Wafer Lot  
Y = Year  
W, WW = Work Week  
▪ = Pb-Free Package

(Note: Microdot may be in either location)

### ORDERING INFORMATION

See detailed ordering and shipping information on page 9 of this data sheet.

# NB3U1548C



**Figure 2. Pin Configuration (Top View)**

**Table 1. PIN DESCRIPTIONS**

Number	Name	Type		Description
1	CLK_IN	Input	Pulldown	Single-ended clock input. LVCMOS interface levels.
2	Q1	Output		Single-ended clock output. LVCMOS interface levels.
3	Q2	Output		Single-ended clock output. LVCMOS interface levels.
4	Q3	Output		Single-ended clock output. LVCMOS interface levels.
5	Q4	Output		Single-ended clock output. LVCMOS interface levels.
6	GND	Power		Power supply ground.
7	VDD	Power		Power supply pin.
8	OE	Input	Pullup	Output enable pin. See Table 3. LVCMOS interface levels.

NOTE: Pullup and Pulldown refer to internal input resistors. See Table 2, Pin Characteristics, for typical values.

**Table 2. PIN CHARACTERISTICS**

Symbol	Parameter	Test Conditions	Min	Typ	Max	Units
CIN	Input Capacitance			4		pF
CPD	Power Dissipation Capacitance	$V_{DD} = 3.465\text{ V}$		14		pF
		$V_{DD} = 2.375\text{ V}$		13		pF
		$V_{DD} = 1.95\text{ V}$		13		pF
		$V_{DD} = 1.6\text{ V}$		12		pF
RPULLUP	Input Pullup Resistor			51		k $\Omega$
RPULLDOWN	Input Pulldown Resistor			51		k $\Omega$
ROUT	Output Impedance	$V_{DD} = 3.3\text{ V} \pm 5\%$		9		$\Omega$
		$V_{DD} = 2.5\text{ V} \pm 5\%$		10		$\Omega$
		$V_{DD} = 1.8\text{ V} \pm 0.15\text{ V}$		12		$\Omega$
		$V_{DD} = 1.5 \pm 0.1\text{ V}$		15		$\Omega$

## Function Table

**Table 3. OE CONFIGURATION TABLE**

Input	Operation
OE	
0	Q[4:1] disabled (high-impedance)
1 (default)	Q[4:1] enabled

NOTE: OE is an asynchronous control.

# NB3U1548C

**Table 4. ABSOLUTE MAXIMUM RATINGS**

Item	Rating
Supply Voltage, $V_{DD}$	4.6 V
Inputs, $V_I$	3.6 V
Outputs, $V_O$	-0.5 V to $V_{DD} + 0.5$ V
Package Thermal Impedance, $\theta_{JA}$ 8 Lead SOIC 8 Lead TSSOP	102.5°C/W (0 mps) 151.2°C/W (0 mps)
Storage Temperature, $T_{STG}$	-65°C to 150°C

Stresses exceeding those listed in the Maximum Ratings table may damage the device. If any of these limits are exceeded, device functionality should not be assumed, damage may occur and reliability may be affected.

1. JEDEC standard multilayer board – 2S2P (2 signal, 2 power) with 6 cm<sup>2</sup> copper area.
2. For additional information, see Application Note AND8003/D.

**Table 5. DC ELECTRICAL CHARACTERISTICS**

Symbol	Parameter	Test Conditions	Min	Typ	Max	Units
--------	-----------	-----------------	-----	-----	-----	-------

**POWER SUPPLY DC CHARACTERISTICS,  $V_{DD} = 3.3$  V  $\pm$  5%,  $T_A = -40^\circ\text{C}$  to  $85^\circ\text{C}$**

$V_{DD}$	Power Supply Voltage		3.135	3.3	3.465	V
$I_{DDQ}$	Quiescent Power Supply Current	Inputs Open, Outputs Unloaded			1	mA

**POWER SUPPLY DC CHARACTERISTICS,  $V_{DD} = 2.5$  V  $\pm$  5%,  $T_A = -40^\circ\text{C}$  to  $85^\circ\text{C}$**

$V_{DD}$	Power Supply Voltage		2.375	2.5	2.625	V
$I_{DDQ}$	Quiescent Power Supply Current	Inputs Open, Outputs Unloaded			1	mA

**POWER SUPPLY DC CHARACTERISTICS,  $V_{DD} = 1.8$  V  $\pm$  0.15 V,  $T_A = -40^\circ\text{C}$  to  $85^\circ\text{C}$**

$V_{DD}$	Power Supply Voltage		1.65	1.8	1.95	V
$I_{DDQ}$	Quiescent Power Supply Current	Inputs Open, Outputs Unloaded			1	mA

**POWER SUPPLY DC CHARACTERISTICS,  $V_{DD} = 1.5$  V  $\pm$  0.1 V,  $T_A = -40^\circ\text{C}$  to  $85^\circ\text{C}$**

$V_{DD}$	Power Supply Voltage		1.4	1.5	1.6	V
$I_{DDQ}$	Quiescent Power Supply Current	Inputs Open, Outputs Unloaded			1	mA

**LVC MOS DC CHARACTERISTICS,  $V_{DD} = 3.3$  V  $\pm$  5%,  $T_A = -40^\circ\text{C}$  to  $85^\circ\text{C}$**

$V_{IH}$	Input High Voltage		$0.65 * V_{DD}$		3.6	V
$V_{IL}$	Input Low Voltage		-0.3		$0.35 * V_{DD}$	V
$I_{IH}$	Input High Current	CLK_IN	$V_{DD} = V_{IN} = 3.465$ V		165	$\mu\text{A}$
		OE	$V_{DD} = V_{IN} = 3.465$ V		5	$\mu\text{A}$
$I_{IL}$	Input Low Current	CLK_IN	$V_{DD} = 3.465$ V, $V_{IN} = 0$ V	-5		$\mu\text{A}$
		OE	$V_{DD} = 3.465$ V, $V_{IN} = 0$ V	-150		$\mu\text{A}$
$V_{OH}$	Output High Voltage	Q[4:1]	$I_{OH} = -12$ mA	2.6		V
$V_{OL}$	Output Low Voltage	Q[4:1]	$I_{OL} = 12$ mA		0.5	V

**LVC MOS DC CHARACTERISTICS,  $V_{DD} = 2.5$  V  $\pm$  5%,  $T_A = -40^\circ\text{C}$  to  $85^\circ\text{C}$**

$V_{IH}$	Input High Voltage		$0.65 * V_{DD}$		3.6	V
$V_{IL}$	Input Low Voltage		-0.3		$0.35 * V_{DD}$	V
$I_{IH}$	Input High Current	CLK_IN	$V_{DD} = V_{IN} = 2.625$ V		165	$\mu\text{A}$
		OE	$V_{DD} = V_{IN} = 2.625$ V		5	$\mu\text{A}$
$I_{IL}$	Input Low Current	CLK_IN	$V_{DD} = 2.625$ V, $V_{IN} = 0$ V	-5		$\mu\text{A}$
		OE	$V_{DD} = 2.625$ V, $V_{IN} = 0$ V	-150		$\mu\text{A}$

# NB3U1548C

**Table 5. DC ELECTRICAL CHARACTERISTICS**

Symbol	Parameter	Test Conditions	Min	Typ	Max	Units
<b>LVC MOS DC CHARACTERISTICS, <math>V_{DD} = 2.5\text{ V} \pm 5\%</math>, <math>T_A = -40^\circ\text{C}</math> to <math>85^\circ\text{C}</math></b>						
$V_{OH}$	Output High Voltage	Q[4:1]	$I_{OH} = -12\text{ mA}$	1.8		V
$V_{OL}$	Output Low Voltage	Q[4:1]	$I_{OL} = 12\text{ mA}$		0.5	V
<b>LVC MOS DC CHARACTERISTICS, <math>V_{DD} = 1.8\text{ V} \pm 0.15\text{ V}</math>, <math>T_A = -40^\circ\text{C}</math> to <math>85^\circ\text{C}</math></b>						
$V_{IH}$	Input High Voltage			$0.65 * V_{DD}$	3.6	V
$V_{IL}$	Input Low Voltage			-0.3	$0.35 * V_{DD}$	V
$I_{IH}$	Input High Current	CLK_IN	$V_{DD} = V_{IN} = 1.95\text{ V}$		165	$\mu\text{A}$
		OE			5	$\mu\text{A}$
$I_{IL}$	Input Low Current	CLK_IN	$V_{DD} = 1.95\text{ V}, V_{IN} = 0\text{ V}$	-5		$\mu\text{A}$
		OE	$V_{DD} = 1.95\text{ V}, V_{IN} = 0\text{ V}$	-150		$\mu\text{A}$
$V_{OH}$	Output High Voltage	Q[4:1]	$I_{OH} = -6\text{ mA}$	$V_{DD} - 0.45$		V
$V_{OL}$	Output Low Voltage	Q[4:1]	$I_{OL} = 6\text{ mA}$		0.45	V
<b>LVC MOS DC CHARACTERISTICS, <math>V_{DD} = 1.5\text{ V} \pm 0.1\text{ V}</math>, <math>T_A = -40^\circ\text{C}</math> to <math>85^\circ\text{C}</math></b>						
$V_{IH}$	Input High Voltage			$0.65 * V_{DD}$	3.6	V
$V_{IL}$	Input Low Voltage			-0.3	$0.35 * V_{DD}$	V
$I_{IH}$	Input High Current	CLK_IN	$V_{DD} = V_{IN} = 1.6\text{ V}$		165	$\mu\text{A}$
		OE	$V_{DD} = V_{IN} = 1.6\text{ V}$		5	$\mu\text{A}$
$I_{IL}$	Input Low Current	CLK_IN	$V_{DD} = 1.6\text{ V}, V_{IN} = 0\text{ V}$	-5		$\mu\text{A}$
		OE	$V_{DD} = 1.6\text{ V}, V_{IN} = 0\text{ V}$	-150		$\mu\text{A}$
$V_{OH}$	Output High Voltage	Q[4:1]	$I_{OH} = -4\text{ mA}$	$0.75 * V_{DD}$		V
$V_{OL}$	Output Low Voltage	Q[4:1]	$I_{OL} = 4\text{ mA}$		$0.25 * V_{DD}$	V

Product parametric performance is indicated in the Electrical Characteristics for the listed test conditions, unless otherwise noted. Product performance may not be indicated by the Electrical Characteristics if operated under different conditions.

# NB3U1548C

**Table 6. AC ELECTRICAL CHARACTERISTICS**

Symbol	Parameter	Test Conditions	Min	Typ	Max	Units
<b>AC CHARACTERISTICS, <math>V_{DD} = 3.3\text{ V} \pm 5\%</math>, <math>T_A = -40^\circ\text{C}</math> to <math>85^\circ\text{C}</math></b>						
$f_{OUT}$	Output Frequency				160	MHz
$t_{PLH}$	Propagation Delay (low to high transition); (Notes 4, 8)		0.7		2.1	ns
$t_{PHL}$	Propagation Delay (high to low transition); (Notes 4, 8)		0.7		2.1	ns
$t_{PLZ}$ , $t_{PHZ}$	Disable Time, (active to high-impedance)				10	ns
$t_{PZL}$ , $t_{PZH}$	Enable Time, (high-impedance to active)				10	ns
$tsk(o)$	Output Skew; (Notes 5, 6)				250	ps
$tsk(pp)$	Part-to-Part Skew; (Notes 5, 7)				800	ps
$t_{jit}$	Buffer Additive Phase Jitter, RMS	25 MHz, Integration Range: 12 kHz – 5 MHz		0.094		ps
$t_R / t_F$	Output Rise/Fall Time	10% to 90%	0.33		1.2	ns
odc	Output Duty Cycle		48		53	%

<b>AC CHARACTERISTICS, <math>V_{DD} = 2.5\text{ V} \pm 5\%</math>, <math>T_A = -40^\circ\text{C}</math> to <math>85^\circ\text{C}</math></b>						
$f_{OUT}$	Output Frequency				160	MHz
$t_{PLH}$	Propagation Delay (low to high transition); (Notes 4, 8)		0.8		2.0	ns
$t_{PHL}$	Propagation Delay (high to low transition); (Notes 4, 8)		0.8		2.0	ns
$t_{PLZ}$ , $t_{PHZ}$	Disable Time (active to high-impedance)				10	ns
$t_{PZL}$ , $t_{PZH}$	Enable Time (high-impedance to active)				10	ns
$tsk(o)$	Output Skew; (Notes 5, 6)				250	ps
$tsk(pp)$	Part-to-Part Skew; (Notes 5, 7)				800	ps
$t_{jit}$	Buffer Additive Phase Jitter, RMS	25 MHz, Integration Range: 12 kHz – 5 MHz		0.076		ps
$t_R / t_F$	Output Rise/Fall Time	10% to 90%	0.33		1.2	ns
odc	Output Duty Cycle		45		53	%

<b>AC CHARACTERISTICS, <math>V_{DD} = 1.8\text{ V} \pm 0.15\text{ V}</math>, <math>T_A = -40^\circ\text{C}</math> to <math>85^\circ\text{C}</math></b>						
$f_{OUT}$	Output Frequency				160	MHz
$t_{PLH}$	Propagation Delay (low to high transition); (Notes 4, 8)		1.1		2.8	ns
$t_{PHL}$	Propagation Delay (high to low transition); (Notes 4, 8)		1.1		2.8	ns
$t_{PLZ}$ , $t_{PHZ}$	Disable Time (active to high-impedance)				10	ns
$t_{PZL}$ , $t_{PZH}$	Enable Time (high-impedance to active)				10	ns
$tsk(o)$	Output Skew; (Notes 5, 6)				250	ps
$tsk(pp)$	Part-to-Part Skew; (Notes 5, 7)				800	ps
$t_{jit}$	Buffer Additive Phase Jitter, RMS	25 MHz, Integration Range: 12 kHz – 5MHz		0.193		ps

NOTE: Device will meet the specifications after thermal equilibrium has been established when mounted in a test socket or printed circuit board with maintained transverse airflow greater than 500 lfm.

3. Characterized up to  $F_{OUT} \leq 150\text{ MHz}$ .
4. Measured from the  $V_{DD}/2$  of the input to  $V_{DD}/2$  of the output.
5. This parameter is defined in accordance with JEDEC Standard 65.
6. Defined as skew between outputs at the same supply voltage and with equal load conditions. Measured at  $V_{DD}/2$ .
7. Defined as skew between outputs on different devices operating at the same supply voltage, same temperature, same frequency and with equal load conditions. Using the same type of inputs on each device, the outputs are measured at  $V_{DD}/2$ .
8. With rail to rail input clock.

# NB3U1548C

**Table 6. AC ELECTRICAL CHARACTERISTICS**

Symbol	Parameter	Test Conditions	Min	Typ	Max	Units
<b>AC CHARACTERISTICS, <math>V_{DD} = 1.8\text{ V} \pm 0.15\text{ V}</math>, <math>T_A = -40^\circ\text{C}</math> to <math>85^\circ\text{C}</math></b>						
$t_R / t_F$	Output Rise/Fall Time	0.63 V to 1.17 V	0.11		0.6	ns
odc	Output Duty Cycle		47		53	%
<b>AC CHARACTERISTICS, <math>V_{DD} = 1.5\text{ V} \pm 0.1\text{ V}</math>, <math>T_A = -40^\circ\text{C}</math> to <math>85^\circ\text{C}</math></b>						
$f_{OUT}$	Output Frequency				160	MHz
$t_{PLH}$	Propagation Delay (low to high transition); (Notes 4, 8)		1.5		3.5	ns
$t_{PHL}$	Propagation Delay (high to low transition); (Notes 4, 8)		1.5		3.5	ns
$t_{PLZ}, t_{PHZ}$	Disable Time (active to high-impedance)				10	ns
$t_{PZL}, t_{PZH}$	Enable Time (high-impedance to active)				10	ns
tsk(o)	Output Skew; (Notes 5, 6)				250	ps
tsk(pp)	Part-to-Part Skew; (Notes 5, 7)				800	ps
tjit	Buffer Additive Phase Jitter, RMS	25 MHz, Integration Range: 12 kHz – 5 MHz		0.266		ps
$t_R / t_F$	Output Rise/Fall Time	0.525 V to 0.975 V	0.11		0.6	ns
odc	Output Duty Cycle		47		53	%

NOTE: Device will meet the specifications after thermal equilibrium has been established when mounted in a test socket or printed circuit board with maintained transverse airflow greater than 500 lfpm.

3. Characterized up to  $F_{OUT} \leq 150\text{ MHz}$ .
4. Measured from the  $V_{DD}/2$  of the input to  $V_{DD}/2$  of the output.
5. This parameter is defined in accordance with JEDEC Standard 65.
6. Defined as skew between outputs at the same supply voltage and with equal load conditions. Measured at  $V_{DD}/2$ .
7. Defined as skew between outputs on different devices operating at the same supply voltage, same temperature, same frequency and with equal load conditions. Using the same type of inputs on each device, the outputs are measured at  $V_{DD}/2$ .
8. With rail to rail input clock.

# NB3U1548C

## Parameter Measurement Information

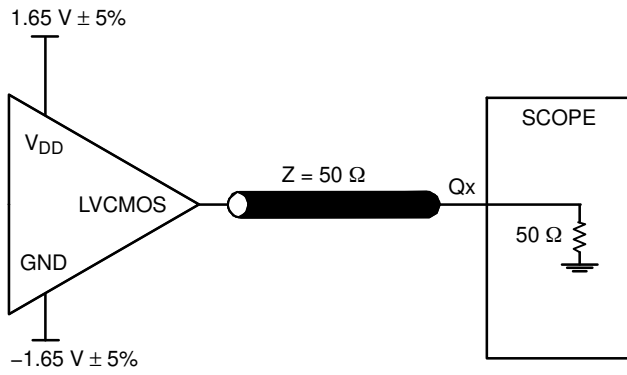


Figure 3. 3.3 V Output Load AC Test Circuit

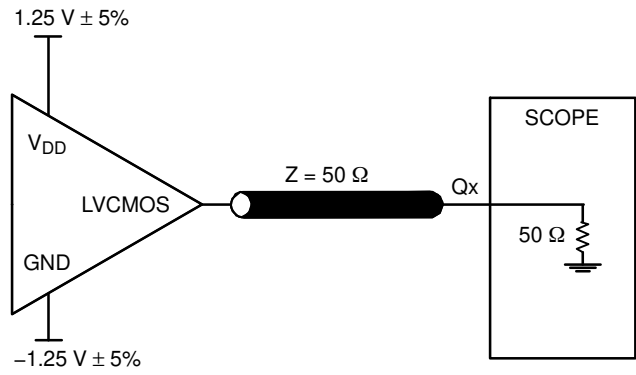


Figure 4. 2.5 V Output Load AC Test Circuit

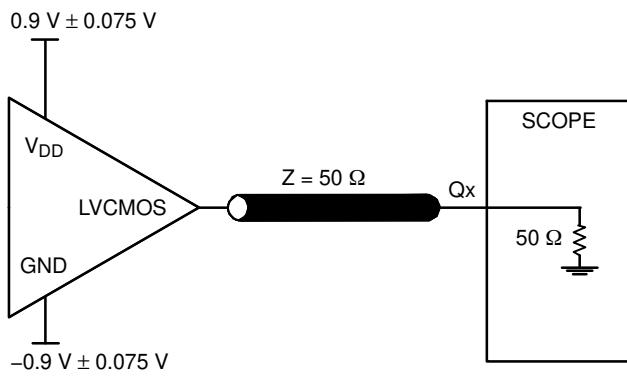


Figure 5. 1.8 V Output Load AC Test Circuit

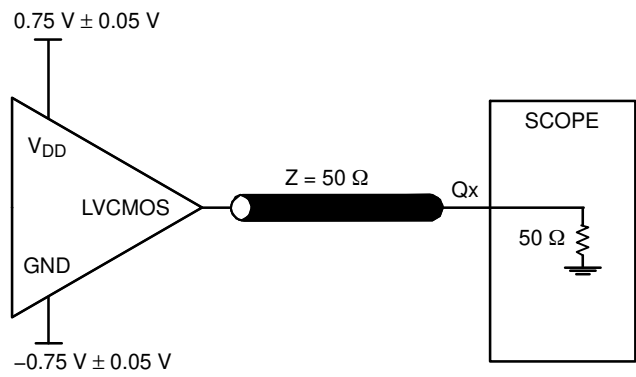


Figure 6. 1.5 V Output Load AC Test Circuit

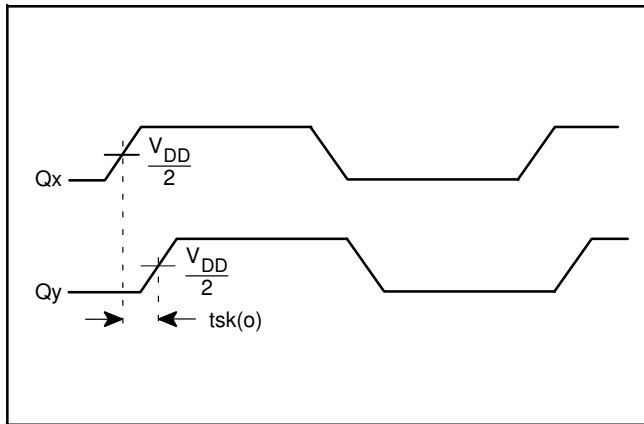


Figure 7. Output Skew

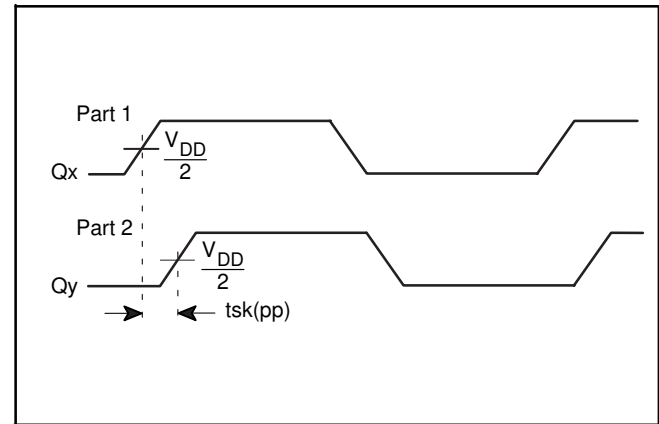


Figure 8. Part-to-Part Skew



Parameter Measurement Information, (continued)

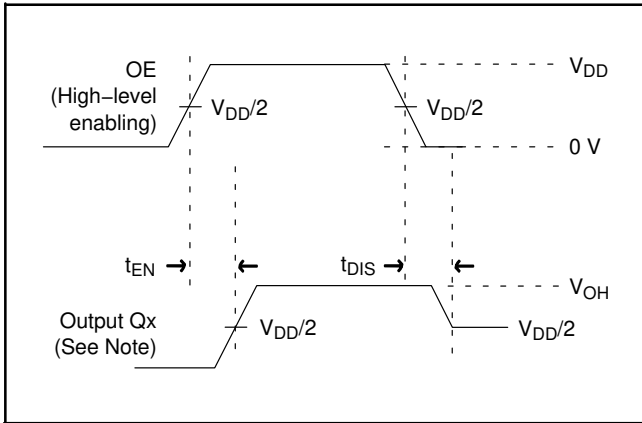


Figure 9. Output Enable/Disable Time

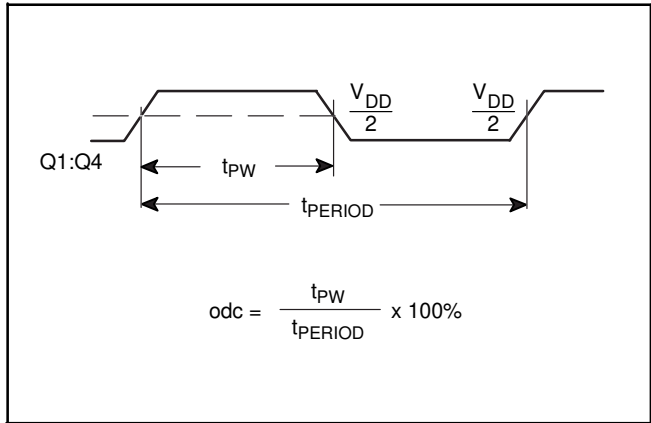


Figure 10. Output Duty Cycle/Pulse Width/Period

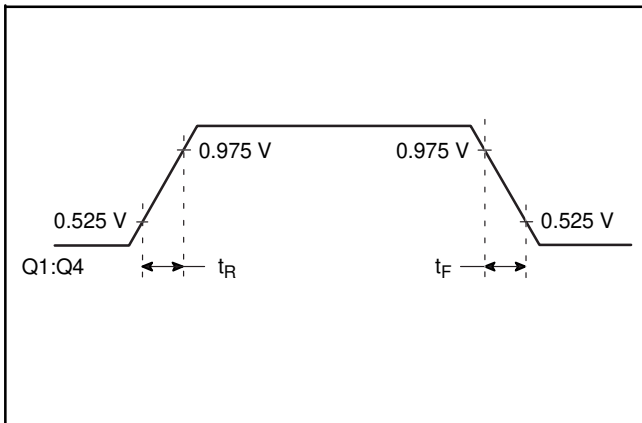


Figure 11. 1.5 V Output Rise/Fall Time

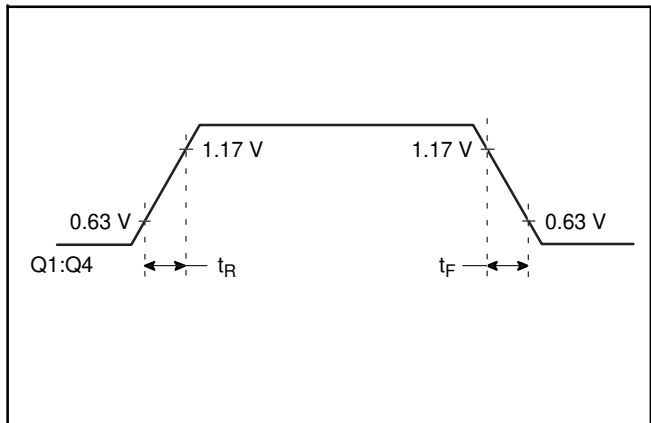


Figure 12. 1.8 V Output Rise/Fall Time

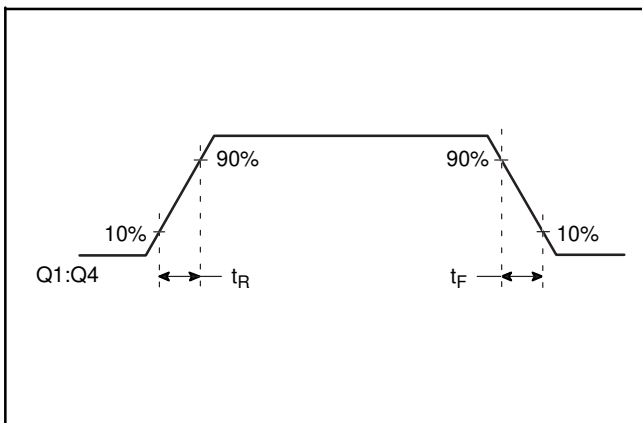


Figure 13. 2.5 V and 3.3 V Output Rise/Fall Time

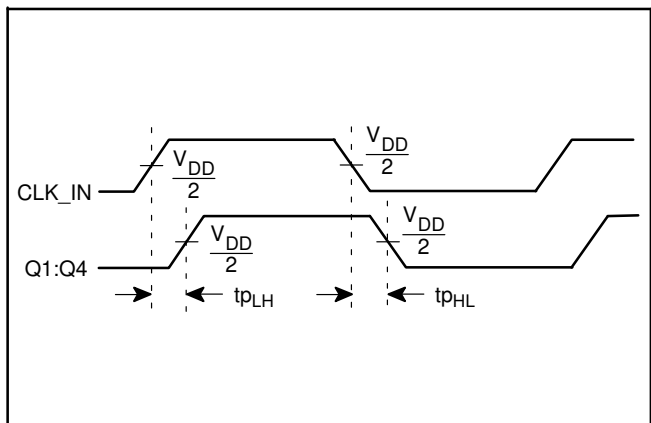


Figure 14. Propagation Delay

# NB3U1548C

**Table 7. THERMAL RESISTANCE  $\theta_{JA}$**

$\theta_{JA}$ by Velocity			
<b>FOR 8 LEAD SOIC, FORCED CONVECTION</b>			
Meters per Second	0	1	2.5
Multi-Layer PCB, JEDEC Standard Test Boards	102.5°C/W	93.5°C/W	88.6°C/W
<b>FOR 8 LEAD TSSOP, FORCED CONVECTION</b>			
Meters per Second	0	1	2.5
Multi-Layer PCB, JEDEC Standard Test Boards	151.2°C/W	145.9°C/W	143.3°C/W
$\theta_{JA}$ by Velocity			

**Table 8. ORDERING INFORMATION**

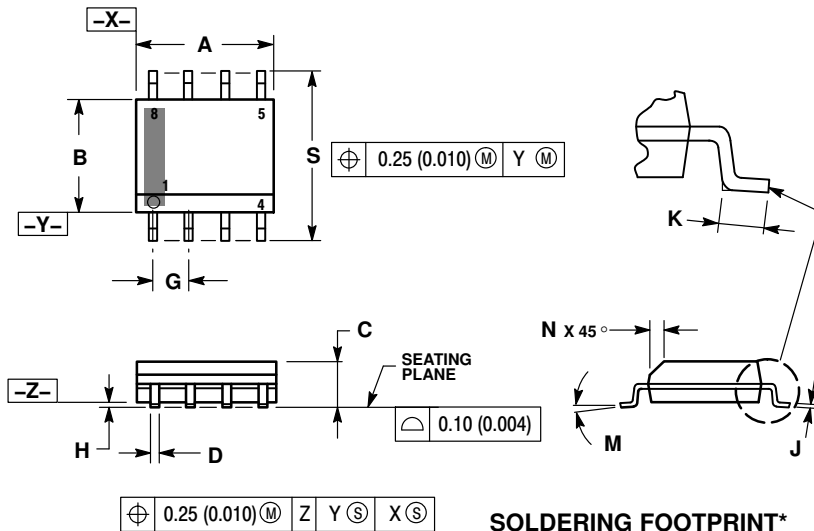
Device	Package	Shipping†
NB3U1548CDG	SOIC-8 (Pb-Free)	96 Units / Tube
NB3U1548CDR2G	SOIC-8 (Pb-Free)	3000 / Tape & Reel
NB3U1548CDTR2G	TSSOP-8 (Pb-Free)	2500 / Tape & Reel

†For information on tape and reel specifications, including part orientation and tape sizes, please refer to our Tape and Reel Packaging Specification Brochure, BRD8011/D.

# NB3U1548C

## PACKAGE DIMENSIONS

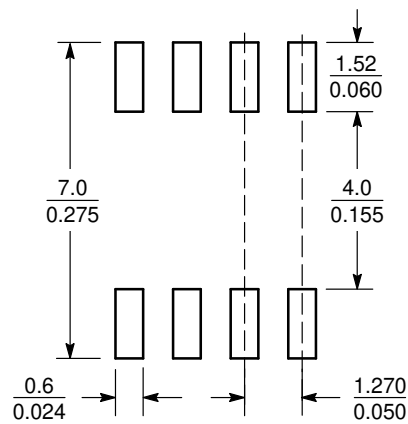
SOIC-8 NB  
CASE 751-07  
ISSUE AK



- NOTES:
1. DIMENSIONING AND TOLERANCING PER ANSI Y14.5M, 1982.
  2. CONTROLLING DIMENSION: MILLIMETER.
  3. DIMENSION A AND B DO NOT INCLUDE MOLD PROTRUSION.
  4. MAXIMUM MOLD PROTRUSION 0.15 (0.006) PER SIDE.
  5. DIMENSION D DOES NOT INCLUDE DAMBAR PROTRUSION. ALLOWABLE DAMBAR PROTRUSION SHALL BE 0.127 (0.005) TOTAL IN EXCESS OF THE D DIMENSION AT MAXIMUM MATERIAL CONDITION.
  6. 751-01 THRU 751-06 ARE OBSOLETE. NEW STANDARD IS 751-07.

DIM	MILLIMETERS		INCHES	
	MIN	MAX	MIN	MAX
A	4.80	5.00	0.189	0.197
B	3.80	4.00	0.150	0.157
C	1.35	1.75	0.053	0.069
D	0.33	0.51	0.013	0.020
G	1.27 BSC		0.050 BSC	
H	0.10	0.25	0.004	0.010
J	0.19	0.25	0.007	0.010
K	0.40	1.27	0.016	0.050
M	0°	8°	0°	8°
N	0.25	0.50	0.010	0.020
S	5.80	6.20	0.228	0.244

### SOLDERING FOOTPRINT\*



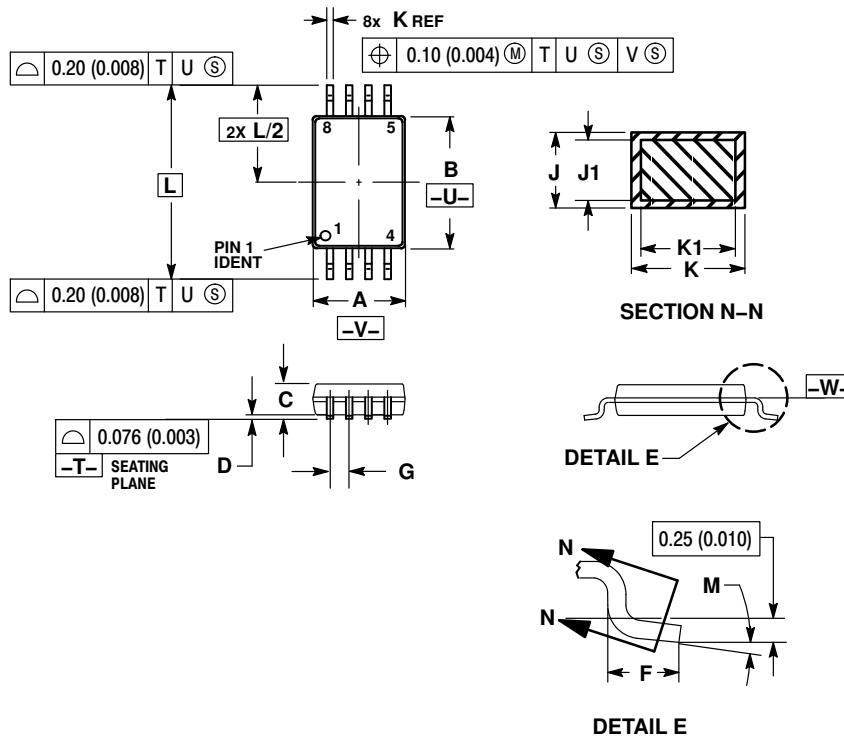
SCALE 6:1  $\left(\frac{\text{mm}}{\text{inches}}\right)$

\*For additional information on our Pb-Free strategy and soldering details, please download the ON Semiconductor Soldering and Mounting Techniques Reference Manual, SOLDERRM/D.

# NB3U1548C

## PACKAGE DIMENSIONS

TSSOP-8  
CASE 948S  
ISSUE C



### NOTES:

1. DIMENSIONING AND TOLERANCING PER ANSI Y14.5M, 1982.
2. CONTROLLING DIMENSION: MILLIMETER.
3. DIMENSION A DOES NOT INCLUDE MOLD FLASH, PROTRUSIONS OR GATE BURRS. MOLD FLASH OR GATE BURRS SHALL NOT EXCEED 0.15 (0.006) PER SIDE.
4. DIMENSION B DOES NOT INCLUDE INTERLEAD FLASH OR PROTRUSION. INTERLEAD FLASH OR PROTRUSION SHALL NOT EXCEED 0.25 (0.010) PER SIDE.
5. TERMINAL NUMBERS ARE SHOWN FOR REFERENCE ONLY.
6. DIMENSION A AND B ARE TO BE DETERMINED AT DATUM PLANE -W-.

DIM	MILLIMETERS		INCHES	
	MIN	MAX	MIN	MAX
A	2.90	3.10	0.114	0.122
B	4.30	4.50	0.169	0.177
C	---	1.10	---	0.043
D	0.05	0.15	0.002	0.006
F	0.50	0.70	0.020	0.028
G	0.65 BSC		0.026 BSC	
J	0.09	0.20	0.004	0.008
J1	0.09	0.16	0.004	0.006
K	0.19	0.30	0.007	0.012
K1	0.19	0.25	0.007	0.010
L	6.40 BSC		0.252 BSC	
M	0°	8°	0°	8°

ON Semiconductor and are trademarks of Semiconductor Components Industries, LLC dba ON Semiconductor or its subsidiaries in the United States and/or other countries. ON Semiconductor owns the rights to a number of patents, trademarks, copyrights, trade secrets, and other intellectual property. A listing of ON Semiconductor's product/patent coverage may be accessed at [www.onsemi.com/site/pdf/Patent-Marking.pdf](http://www.onsemi.com/site/pdf/Patent-Marking.pdf). ON Semiconductor reserves the right to make changes without further notice to any products herein. ON Semiconductor makes no warranty, representation or guarantee regarding the suitability of its products for any particular purpose, nor does ON Semiconductor assume any liability arising out of the application or use of any product or circuit, and specifically disclaims any and all liability, including without limitation special, consequential or incidental damages. Buyer is responsible for its products and applications using ON Semiconductor products, including compliance with all laws, regulations and safety requirements or standards, regardless of any support or applications information provided by ON Semiconductor. "Typical" parameters which may be provided in ON Semiconductor data sheets and/or specifications can and do vary in different applications and actual performance may vary over time. All operating parameters, including "Typicals" must be validated for each customer application by customer's technical experts. ON Semiconductor does not convey any license under its patent rights nor the rights of others. ON Semiconductor products are not designed, intended, or authorized for use as a critical component in life support systems or any FDA Class 3 medical devices or medical devices with a same or similar classification in a foreign jurisdiction or any devices intended for implantation in the human body. Should Buyer purchase or use ON Semiconductor products for any such unintended or unauthorized application, Buyer shall indemnify and hold ON Semiconductor and its officers, employees, subsidiaries, affiliates, and distributors harmless against all claims, costs, damages, and expenses, and reasonable attorney fees arising out of, directly or indirectly, any claim of personal injury or death associated with such unintended or unauthorized use, even if such claim alleges that ON Semiconductor was negligent regarding the design or manufacture of the part. ON Semiconductor is an Equal Opportunity/Affirmative Action Employer. This literature is subject to all applicable copyright laws and is not for resale in any manner.

### PUBLICATION ORDERING INFORMATION

#### LITERATURE FULFILLMENT:

Literature Distribution Center for ON Semiconductor  
19521 E. 32nd Pkwy, Aurora, Colorado 80011 USA  
Phone: 303-675-2175 or 800-344-3860 Toll Free USA/Canada  
Fax: 303-675-2176 or 800-344-3867 Toll Free USA/Canada  
Email: [orderlit@onsemi.com](mailto:orderlit@onsemi.com)

**N. American Technical Support:** 800-282-9855 Toll Free  
USA/Canada  
**Europe, Middle East and Africa Technical Support:**  
Phone: 421 33 790 2910  
**Japan Customer Focus Center**  
Phone: 81-3-5817-1050

**ON Semiconductor Website:** [www.onsemi.com](http://www.onsemi.com)

**Order Literature:** <http://www.onsemi.com/orderlit>

For additional information, please contact your local Sales Representative