



Chipsmall Limited consists of a professional team with an average of over 10 year of expertise in the distribution of electronic components. Based in Hongkong, we have already established firm and mutual-benefit business relationships with customers from,Europe,America and south Asia,supplying obsolete and hard-to-find components to meet their specific needs.

With the principle of “Quality Parts,Customers Priority,Honest Operation,and Considerate Service”,our business mainly focus on the distribution of electronic components. Line cards we deal with include Microchip,ALPS,ROHM,Xilinx,Pulse,ON,Everlight and Freescale. Main products comprise IC,Modules,Potentiometer,IC Socket,Relay,Connector.Our parts cover such applications as commercial,industrial, and automotives areas.

We are looking forward to setting up business relationship with you and hope to provide you with the best service and solution. Let us make a better world for our industry!



## Contact us

Tel: +86-755-8981 8866 Fax: +86-755-8427 6832

Email & Skype: info@chipsmall.com Web: www.chipsmall.com

Address: A1208, Overseas Decoration Building, #122 Zhenhua RD., Futian, Shenzhen, China



# NB3V8312C

## Ultra-Low Jitter, Low Skew 1:12 LVCMOS/LVTTL Fanout Buffer

The NB3V8312C is a high performance, low skew LVCMOS fanout buffer which can distribute 12 ultra-low jitter clocks from an LVCMOS/LVTTL input up to 250 MHz.

The 12 LVCMOS output pins drive 50  $\Omega$  series or parallel terminated transmission lines. The outputs can also be disabled to a high impedance (tri-stated) via the OE input, or enabled when High.

The NB3V8312C provides an enable input, CLK\_EN pin, which synchronously enables or disables the clock outputs while in the LOW state. Since this input is internally synchronized to the input clock, changing only when the input is LOW, potential output glitching or runt pulse generation is eliminated.

Separate  $V_{DD}$  core and  $V_{DDO}$  output supplies allow the output buffers to operate at the same supply as the  $V_{DD}$  ( $V_{DD} = V_{DDO}$ ) or from a lower supply voltage. Compared to single-supply operation, dual supply operation enables lower power consumption and output-level compatibility.

The  $V_{DD}$  core supply voltage can be set to 3.3 V, 2.5 V or 1.8 V, while the  $V_{DDO}$  output supply voltage can be set to 3.3 V, 2.5 V, or 1.8 V, with the constraint that  $V_{DD} \geq V_{DDO}$ .

This buffer is ideally suited for various networking, telecom, server and storage area networking, RRU LO reference distribution, medical and test equipment applications.

### Features

- Power Supply Modes:  
 $V_{DD}$  (Core) /  $V_{DDO}$  (Outputs)  
3.3 V / 3.3 V  
3.3 V / 2.5 V  
3.3 V / 1.8 V  
2.5 V / 2.5 V  
2.5 V / 1.8 V  
1.8 V / 1.8 V
- 250 MHz Maximum Clock Frequency
- Accepts LVCMOS, LVTTL Clock Inputs
- LVCMOS Compatible Control Inputs
- 12 LVCMOS Clock Outputs
- Synchronous Clock Enable
- Output Enable to High Z State Control
- 150 ps Max. Skew Between Outputs
- Temp. Range  $-40^{\circ}\text{C}$  to  $+85^{\circ}\text{C}$
- 32-pin LQFP and QFN Packages
- These are Pb-Free Devices

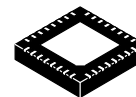


ON Semiconductor®

<http://onsemi.com>



LQFP-32  
FA SUFFIX  
CASE 873A



QFN32  
MN SUFFIX  
CASE 488AM

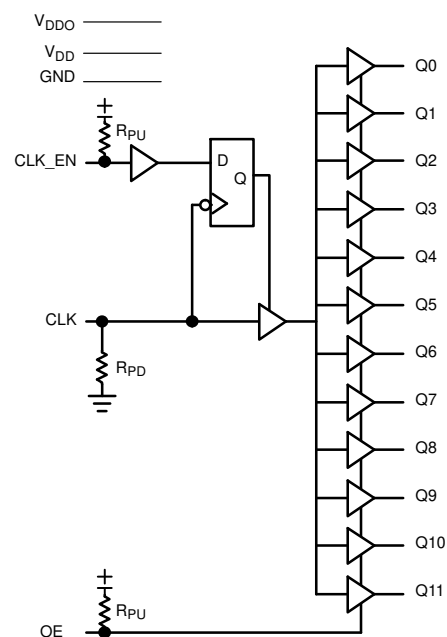


Figure 1. Simplified Logic Diagram

### ORDERING AND MARKING INFORMATION

See detailed ordering and shipping information on page 9 of this data sheet.

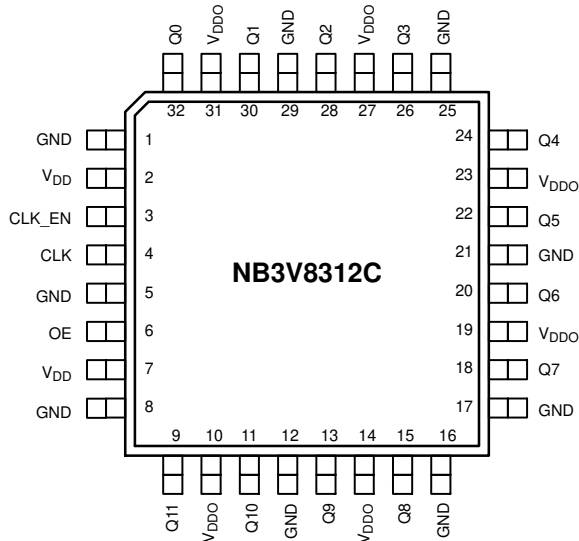
### Applications

- Networking
- Telecom
- Storage Area Network

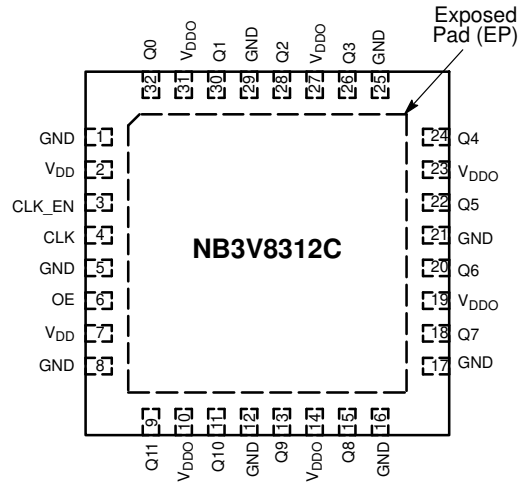
### End Products

- Servers
- Routers
- Switches

# NB3V8312C



**Figure 2. LQFP-32 Pinout Configuration**  
(Top View)



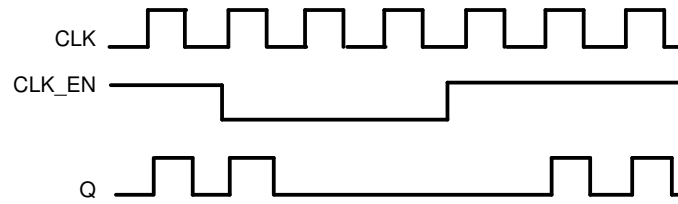
**Figure 3. QFN32 Pinout Configuration**  
(Top View)

**Table 1. PIN DESCRIPTION**

| Pin   | Name   | I/O    | Open Default | Description   |
|---|--|--------|--------------|---|
| 1, 5, 8, 12, 16, 17, 21, 25, 29               | GND  | Power  |              | Ground, Negative Power Supply   |
| 2, 7  | VDD  | Power  |              | Positive Supply for Core and Inputs   |
| 3   | CLK_EN   | Input  | High         | Synchronous Clock Enable Input. When High, outputs are enabled. When Low, outputs are disabled Low. Internal Pullup Resistor.   |
| 4   | CLK  | Input  | Low          | Single-ended Clock input; LVCMOS/LVTTL. Internal Pull-down Resistor.  |
| 6   | OE   | Input  | High         | Output Enable. Internal Pullup Resistor.  |
| 9, 11, 13, 15, 18, 20, 22, 24, 26, 28, 30, 32 | Q11, Q10, Q9, Q8, Q7, Q6, Q5, Q4, Q3, Q2, Q1, Q0 | Output |              | Single-ended LVCMOS/LVTTL outputs   |
| 10, 14, 19, 23, 27, 31                        | VDDO   | Power  |              | Positive Supply for Outputs   |
| –   | EP   | –      | –            | The Exposed Pad (EP) on the package bottom is thermally connected to the die for improved heat transfer out of package. The exposed pad must be attached to a heat-sinking conduit. The pad is connected to the die and must only be connected electrically to GND on the PC board. |

- All VDD, VDDO and GND pins must be externally connected to a power supply to guarantee proper operation. Bypass each supply pin with 0.01  $\mu$ F to GND.

## NB3V8312C



**Figure 4. CLK\_EN Control Timing Diagram**

**Table 2. OE, CLK\_EN FUNCTION TABLES**

| Inputs |                 |     | Outputs |
|--------|-----------------|-----|---------|
| OE     | CLK_EN (Note 2) | CLK | Q[0:11] |
| 0      | X               | X   | Hi-Z    |
| 1      | 0               | X   | Low     |
| 1      | 1               | 0   | Low     |
| 1      | 1               | 1   | High    |

2. The CLK\_EN control input synchronously enables or disables the outputs as shown in Figure 4. This control latches on the falling edge of the selected input CLK. When CLK\_EN is LOW, the outputs are disabled in a LOW state. When CLK\_EN is HIGH, the outputs are enabled as shown. CLK\_EN to CLK Set up and Hold times must be satisfied.

# NB3V8312C

**Table 3. ATTRIBUTES** (Note 3)

| Characteristics   |                                   | Value                             |
|---|-----------------------------------|-----------------------------------|
| Internal Input Pullup ( $R_{PU}$ ) and Pulldown ( $R_{PD}$ ) Resistor |                                   | 50 k $\Omega$                     |
| Input Capacitance, $C_{IN}$   |                                   | 4 pF                              |
| Power Dissipation Capacitance, $C_{PD}$ (per Output)                  |                                   | 20 pF                             |
| $R_{OUT}$   |                                   | 8 $\Omega$                        |
| ESD Protection  | Human Body Model<br>Machine Model | > 1.5 kV<br>> 200 V               |
| Moisture Sensitivity (Note 3)   | LQFP<br>QFN                       | Level 2<br>Level 1                |
| Flammability Rating<br>Oxygen Index                                   |                                   | UL-94 code V-0 A 1/8"<br>28 to 34 |
| Transistor Count  |                                   | 464 Devices                       |
| Meets or exceeds JEDEC Spec EIA/JESD78 IC Latchup Test                |                                   |                                   |

3. For additional information, see Application Note AND8003/D.

**Table 4. MAXIMUM RATINGS** (Note 4)

| Symbol             | Parameter  | Condition          |                    | Rating                            | Unit                        |
|--------------------|--|--------------------|--------------------|-----------------------------------|-----------------------------|
| $V_{DD} / V_{DDO}$ | Positive Power Supply                                | GND = 0 V          |                    | 4.6                               | V                           |
| $V_I$              | Input Voltage  |                    |                    | $-0.5 \leq V_I \leq V_{DD} + 0.5$ | V                           |
| $T_{stg}$          | Storage Temperature Range                            |                    |                    | -65 to +150                       | $^{\circ}\text{C}$          |
| $\theta_{JA}$      | Thermal Resistance (Junction-to-Ambient)<br>(Note 5) | 0 lfpm             | LQFP-32            | 80                                | $^{\circ}\text{C}/\text{W}$ |
|                    |  | 500 lfpm           | LQFP-32            | 55                                | $^{\circ}\text{C}/\text{W}$ |
| $\theta_{JC}$      | Thermal Resistance (Junction-to-Case)<br>(Note 5)    | Standard Board     | LQFP-32<br>LQFP-32 | 12-17                             | $^{\circ}\text{C}/\text{W}$ |
| $\theta_{JA}$      | Thermal Resistance (Junction-to-Ambient)<br>(Note 5) | 0 lfpm<br>500 lfpm | QFN-32             | 31                                | $^{\circ}\text{C}/\text{W}$ |
|                    |  |                    | QFN-32             | 27                                | $^{\circ}\text{C}/\text{W}$ |
| $\theta_{JC}$      | Thermal Resistance (Junction-to-Case)<br>(Note 5)    | Standard Board     | QFN-32             | 12                                | $^{\circ}\text{C}/\text{W}$ |

Stresses exceeding those listed in the Maximum Ratings table may damage the device. If any of these limits are exceeded, device functionality should not be assumed, damage may occur and reliability may be affected.

- Maximum ratings applied to the device are individual stress limit values (not normal operating conditions) and not valid simultaneously. If stress limits are exceeded device functional operation is not implied, damage may occur and reliability may be affected.
- JEDEC standard multilayer board – 2S2P (2 signal, 2 power).

# NB3V8312C

**Table 5. LVCMOS/LVTTL DC CHARACTERISTICS** ( $T_A = -40^{\circ}\text{C}$  to  $+85^{\circ}\text{C}$ )

| Symbol   | Characteristics              |            | Conditions  | Min                  | Typ | Max                  | Unit          |
|----------|------------------------------|------------|---|----------------------|-----|----------------------|---------------|
| $V_{IH}$ | Input High Voltage           |            | $V_{DD} = 3.465\text{ V}$   | 2.0                  |     | $V_{DD} + 0.3$       | V             |
|          |                              |            | $V_{DD} = 2.625\text{ V}$   | 1.7                  |     | $V_{DD} + 0.3$       | V             |
|          |                              |            | $V_{DD} = 2.0\text{ V}$   | $0.65 \times V_{DD}$ |     | $V_{DD} + 0.3$       | V             |
| $V_{IL}$ | Input Low Voltage            |            | $V_{DD} = 3.465\text{ V}$   | -0.3                 |     | 1.3                  | V             |
|          |                              |            | $V_{DD} = 2.625\text{ V}$   | -0.3                 |     | 0.7                  | V             |
|          |                              |            | $V_{DD} = 2.0\text{ V}$   | -0.3                 |     | $0.35 \times V_{DD}$ | V             |
| $I_{IH}$ | Input High Current           | CLK        | $V_{DD} = V_{IN} = 3.465\text{ V}$ or $2.625\text{ V}$ or $2.0\text{ V}$                |                      |     | 150                  | $\mu\text{A}$ |
|          |                              | OE, CLK_EN |   | 5                    |     |                      |               |
| $I_{IL}$ | Input Low Current            | CLK        | $V_{DD} = 3.465\text{ V}$ or $2.625\text{ V}$ or $2.0\text{ V}$ , $V_{IN} = 0\text{ V}$ | -5                   |     |                      | $\mu\text{A}$ |
|          |                              | OE, CLK_EN |   | -150                 |     |                      |               |
| $V_{OH}$ | Output High Voltage (Note 6) |            | $V_{DDO} = 3.3\text{ V} \pm 5\%$  | 2.6                  |     |                      | V             |
|          |                              |            | $V_{DDO} = 2.5\text{ V} \pm 5\%$  | 1.8                  |     |                      |               |
|          |                              |            | $V_{DDO} = 2.5\text{ V} \pm 5\%$ ; $I_{OH} = -1\text{ mA}$                              | 2.0                  |     |                      |               |
|          |                              |            | $V_{DDO} = 1.8\text{ V} \pm 0.2\text{ V}$   | $V_{DD} - 0.4$       |     |                      |               |
|          |                              |            | $V_{DDO} = 1.8\text{ V} \pm 0.2\text{ V}$ ; $I_{OH} = -100\ \mu\text{A}$                | $V_{DD} - 0.2$       |     |                      |               |
| $V_{OL}$ | Output Low Voltage (Note 6)  |            | $V_{DDO} = 3.3\text{ V} \pm 5\%$  |                      |     | 0.5                  | V             |
|          |                              |            | $V_{DDO} = 2.5\text{ V} \pm 5\%$  |                      |     | 0.45                 |               |
|          |                              |            | $V_{DDO} = 2.5\text{ V} \pm 5\%$ ; $I_{OL} = 1\text{ mA}$                               |                      |     | 0.4                  |               |
|          |                              |            | $V_{DDO} = 1.8\text{ V} \pm 0.2\text{ V}$   |                      |     | 0.35                 |               |
|          |                              |            | $V_{DDO} = 1.8\text{ V} \pm 0.2\text{ V}$ ; $I_{OL} = 100\ \mu\text{A}$                 |                      |     | 0.2                  |               |

NOTE: Device will meet the specifications after thermal equilibrium has been established when mounted in a test socket or printed circuit board with maintained transverse airflow greater than 500 lpm. Electrical parameters are guaranteed only over the declared operating temperature range. Functional operation of the device exceeding these conditions is not implied. Device specification limit values are applied individually under normal operating conditions and not valid simultaneously.

6. Outputs terminated  $50\ \Omega$  to  $V_{DDO}/2$  unless otherwise specified. See Figure 7.

**Table 6. POWER SUPPLY DC CHARACTERISTICS**, ( $T_A = -40^{\circ}\text{C}$  to  $+85^{\circ}\text{C}$ )

| $V_{DD}$ (Core)                 | $V_{DDO}$ (Outputs)             | Min | Typ | Max | Unit |
|---------------------------------|---------------------------------|-----|-----|-----|------|
| $3.3\text{ V} \pm 5\%$          | $3.3\text{ V} \pm 5\%$          |     |     | 10  | mA   |
| $3.3\text{ V} \pm 5\%$          | $2.5\text{ V} \pm 5\%$          |     |     | 10  | mA   |
| $3.3\text{ V} \pm 5\%$          | $1.8\text{ V} \pm 0.2\text{ V}$ |     |     | 10  | mA   |
| $2.5\text{ V} \pm 5\%$          | $2.5\text{ V} \pm 5\%$          |     |     | 10  | mA   |
| $2.5\text{ V} \pm 5\%$          | $1.8\text{ V} \pm 0.2\text{ V}$ |     |     | 10  | mA   |
| $1.8\text{ V} \pm 0.2\text{ V}$ | $1.8\text{ V} \pm 0.2\text{ V}$ |     |     | 10  | mA   |

# NB3V8312C

**Table 7. AC CHARACTERISTICS** ( $T_A = -40^\circ\text{C}$  to  $+85^\circ\text{C}$ ) (Note 7)

| Symbol              | Characteristic  | Min                                    | Typ                                | Max                                    | Unit |
|---------------------|---|--|------------------------------------|--|------|
| $f_{\text{MAX}}$    | Maximum Operating Frequency<br>$V_{\text{DD}} / V_{\text{DDO}}$<br>3.3 V $\pm 5\%$ / 3.3 V $\pm 5\%$<br>3.3 V $\pm 5\%$ / 2.5 V $\pm 5\%$<br>3.3 V $\pm 5\%$ / 1.8 V $\pm 0.2$ V<br>2.5 V $\pm 5\%$ / 2.5 V $\pm 5\%$<br>2.5 V $\pm 5\%$ / 1.8 V $\pm 0.2$ V<br>1.8 V $\pm 0.2$ V / 1.8 V $\pm 0.2$ V   | 250<br>250<br>200<br>250<br>200<br>200 |                                    |  | MHz  |
| $t_{\text{pLH}}$    | Propagation Delay, Low to High; (Note 8)<br>$V_{\text{DD}} / V_{\text{DDO}}$<br>3.3 V $\pm 5\%$ / 3.3 V $\pm 5\%$<br>3.3 V $\pm 5\%$ / 2.5 V $\pm 5\%$<br>3.3 V $\pm 5\%$ / 1.8 V $\pm 0.2$ V<br>2.5 V $\pm 5\%$ / 2.5 V $\pm 5\%$<br>2.5 V $\pm 5\%$ / 1.8 V $\pm 0.2$ V<br>1.8 V $\pm 0.2$ V / 1.8 V $\pm 0.2$ V  | 0.9<br>1.0<br>1.0<br>1.3<br>1.3<br>2.4 |                                    | 2.2<br>2.3<br>3.0<br>3.1<br>3.5<br>4.2 | ns   |
| $t_{\text{jit}}$    | Additive Phase Jitter, RMS;<br>$f_C = 100$ MHz<br>Integration Range: 12 kHz – 20 MHz<br>See Figure 5<br>$V_{\text{DD}} / V_{\text{DDO}}$<br>3.3 V $\pm 5\%$ / 3.3 V $\pm 5\%$<br>3.3 V $\pm 5\%$ / 2.5 V $\pm 5\%$<br>3.3 V $\pm 5\%$ / 1.8 V $\pm 0.2$ V<br>2.5 V $\pm 5\%$ / 2.5 V $\pm 5\%$<br>2.5 V $\pm 5\%$ / 1.8 V $\pm 0.2$ V<br>1.8 V $\pm 0.2$ V / 1.8 V $\pm 0.2$ V                                    |  | 30<br>40<br>50<br>20<br>100<br>130 |  | fs   |
| $t_{\text{sk(o)}}$  | Output-to-output skew; (Note 9); Figure 6<br>$V_{\text{DD}} / V_{\text{DDO}}$<br>3.3 V $\pm 5\%$ / 3.3 V $\pm 5\%$<br>3.3 V $\pm 5\%$ / 2.5 V $\pm 5\%$<br>3.3 V $\pm 5\%$ / 1.8 V $\pm 0.2$ V<br>2.5 V $\pm 5\%$ / 2.5 V $\pm 5\%$<br>2.5 V $\pm 5\%$ / 1.8 V $\pm 0.2$ V<br>1.8 V $\pm 0.2$ V / 1.8 V $\pm 0.2$ V   |  |                                    | 125<br>135<br>145<br>150<br>150<br>140 | ps   |
| $t_{\text{sk(pp)}}$ | Part-to-Part Skew; (Note 10)<br>$V_{\text{DD}} / V_{\text{DDO}}$<br>3.3 V $\pm 5\%$ / 3.3 V $\pm 5\%$<br>3.3 V $\pm 5\%$ / 2.5 V $\pm 5\%$<br>3.3 V $\pm 5\%$ / 1.8 V $\pm 0.2$ V<br>2.5 V $\pm 5\%$ / 2.5 V $\pm 5\%$<br>2.5 V $\pm 5\%$ / 1.8 V $\pm 0.2$ V<br>1.8 V $\pm 0.2$ V / 1.8 V $\pm 0.2$ V  |  |                                    | 250<br>250<br>250<br>250<br>250<br>250 | ps   |
| $t_r/t_f$           | Output rise and fall times<br>$V_{\text{DD}} / V_{\text{DDO}}$<br>3.3 V $\pm 5\%$ / 3.3 V $\pm 5\%$<br>3.3 V $\pm 5\%$ / 2.5 V $\pm 5\%$<br>3.3 V $\pm 5\%$ / 1.8 V $\pm 0.2$ V<br>2.5 V $\pm 5\%$ / 2.5 V $\pm 5\%$<br>2.5 V $\pm 5\%$ / 1.8 V $\pm 0.2$ V<br>1.8 V $\pm 0.2$ V / 1.8 V $\pm 0.2$ V  | 200<br>200<br>200<br>200<br>200<br>200 |                                    | 700<br>700<br>700<br>700<br>700<br>800 | ps   |
| ODC                 | Output Duty Cycle (Note 11)<br>$V_{\text{DD}} / V_{\text{DDO}}$<br>$f \leq 200$ MHz, 3.3 V $\pm 5\%$ / 3.3 V $\pm 5\%$<br>$f \leq 150$ MHz, 3.3 V $\pm 5\%$ / 2.5 V $\pm 5\%$<br>$f \leq 100$ MHz, 3.3 V $\pm 5\%$ / 1.8 V $\pm 0.2$ V<br>$f \leq 150$ MHz, 2.5 V $\pm 5\%$ / 2.5 V $\pm 5\%$<br>$f \leq 100$ MHz, 2.5 V $\pm 5\%$ / 1.8 V $\pm 0.2$ V<br>$f \leq 100$ MHz, 1.8 V $\pm 0.2$ V / 1.8 V $\pm 0.2$ V | 45<br>45<br>45<br>45<br>45<br>45       |                                    | 55<br>55<br>55<br>55<br>55<br>55       | %    |

All parameters measured at  $f_{\text{MAX}}$  unless noted otherwise.

7. Outputs loaded with 50  $\Omega$  to  $V_{\text{DDO}}/2$ ; see Figure 7. CLOCK input with 50% duty cycle; minimum input amplitude = 1.2 V at  $V_{\text{DD}} = 3.3$  V, 1.0 V at  $V_{\text{DD}} = 2.5$  V,  $V_{\text{DD}}/2$  at  $V_{\text{DD}} = 1.8$  V.

8. Measured from the  $V_{\text{DD}}/2$  of the input to  $V_{\text{DDO}}/2$  of the output.

9. Defined as skew between outputs at the same supply voltage and with equal load conditions. Measured at  $V_{\text{DDO}}/2$ .

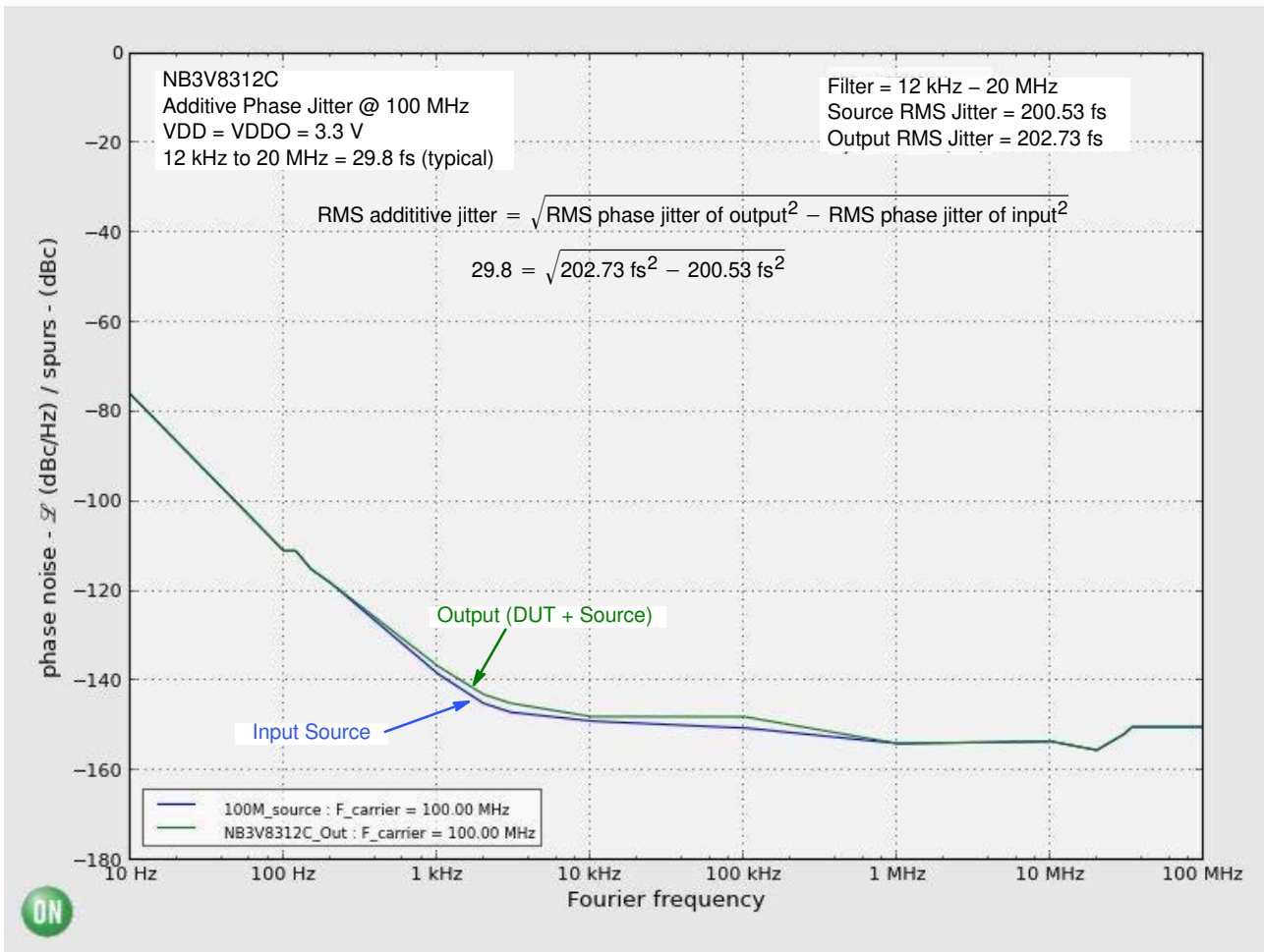
10. Defined as skew between outputs on different devices operating at the same supply voltage and with equal load conditions.

Using the same type of input on each device, the output is measured at  $V_{\text{DDO}}/2$ .

11. Clock input with 50% duty cycles, rail-to-rail amplitude and  $t_r/t_f = 500$  ps.



# NB3V8312C



**Figure 5. Typical Phase Noise Plot at  $f_{\text{carrier}} = 100 \text{ MHz}$  at an Operating Voltage of 3.3 V, Room Temperature**

The above phase noise data was captured using Agilent E5052A/B. The data displays the input phase noise and output phase noise used to calculate the additive phase jitter at a specified integration range. The RMS Phase Jitter contributed by the device (integrated between 12 kHz and 20 MHz) is 29.8 fs.

The additive phase jitter performance of the fanout buffer is highly dependent on the phase noise of the input source.

To obtain the most accurate additive phase noise measurement, it is vital that the source phase noise be

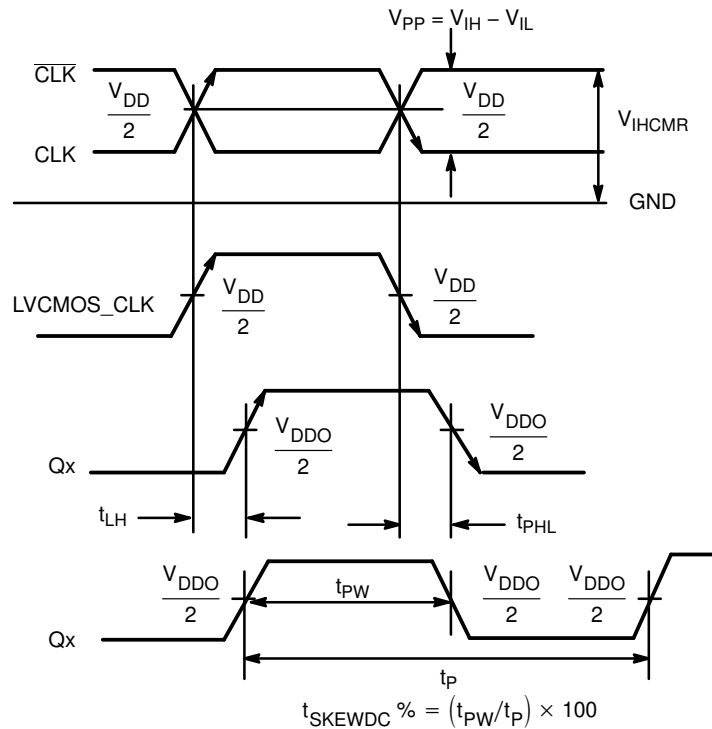
notably lower than that of the DUT. If the phase noise of the source is greater than the device under test output, the source noise will dominate the additive phase jitter calculation and lead to an artificially low result for the additive phase noise measurement within the integration range. The Figure above is a good example of the NB3V8312C source generator phase noise having a significantly higher floor such that the DUT output results in an additive phase jitter of 29.8 fs.

$$\text{RMS additive jitter} = \sqrt{\text{RMS phase jitter of output}^2 - \text{RMS phase jitter of input}^2}$$

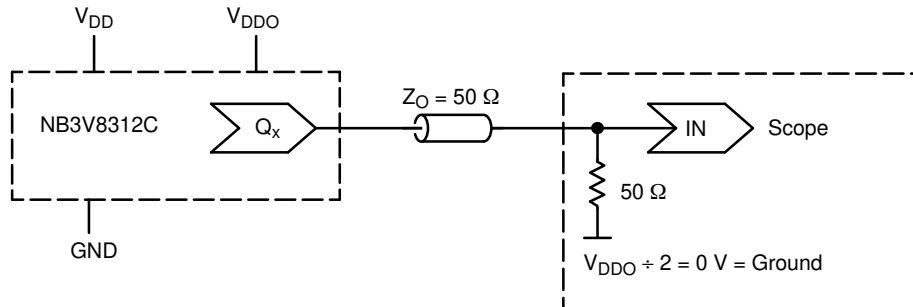
$$29.8 = \sqrt{202.73 \text{ fs}^2 - 200.53 \text{ fs}^2}$$



# NB3V8312C



**Figure 6. AC Reference Measurement**



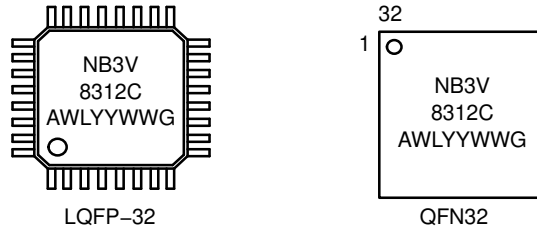
**Figure 7. Typical Device Evaluation and Termination Setup – See Table 8**

**Table 8. TEST SUPPLY SETUP. V<sub>DDO</sub> SUPPLY MAY BE CENTERED ON 0.0 V (SCOPE GND) TO PERMIT DIRECT CONNECTION INTO “50 Ω TO GND” SCOPE MODULE. V<sub>DD</sub> SUPPLY TRACKS DUT GND PIN**

| Spec Condition:   | V <sub>DD</sub> Test Setup | V <sub>DDO</sub> Test Setup | GND Pin Test Setup |
|---|----------------------------|-----------------------------|--------------------|
| V <sub>DD</sub> = 3.3 V ±5%, V <sub>DDO</sub> = 3.3 V ±5%       | +1.65 V ±5%                | +1.65 V ±5%                 | -1.65 V ±5%        |
| V <sub>DD</sub> = 3.3 V ±5%, V <sub>DDO</sub> = 2.5 V ±5%       | +2.05 V ±5%                | +1.25 V ±5%                 | -1.25 V ±5%        |
| V <sub>DD</sub> = 3.3 V ±5%, V <sub>DDO</sub> = 1.8 V ±5%       | +2.4 V ±5%                 | +0.9 V ±0.1 V               | -0.9 V ±0.1 V      |
| V <sub>DD</sub> = 2.5 V ±5%, V <sub>DDO</sub> = 2.5 V ±5%       | +1.25 V ±5%                | +1.25 V ±5%                 | -1.25 V ±5%        |
| V <sub>DD</sub> = 2.5 V ±5%, V <sub>DDO</sub> = 1.8 V ±0.2 V    | +1.6 V ±5%                 | +0.9 V ±0.1 V               | -0.9 V ±0.1 V      |
| V <sub>DD</sub> = 1.8 V ±0.2 V, V <sub>DDO</sub> = 1.8 V ±0.2 V | +0.9 V ±0.1 V              | +0.9 V ±0.1 V               | -0.9 V ±0.1 V      |

# NB3V8312C

## MARKING DIAGRAMS\*



A = Assembly Location  
 WL = Wafer Lot  
 YY = Year  
 WW = Work Week  
 G = Pb-Free Package

(\*Note: Microdot may be in either location)

\*For additional marking information, refer to Application Note AND8002/D.

## ORDERING INFORMATION

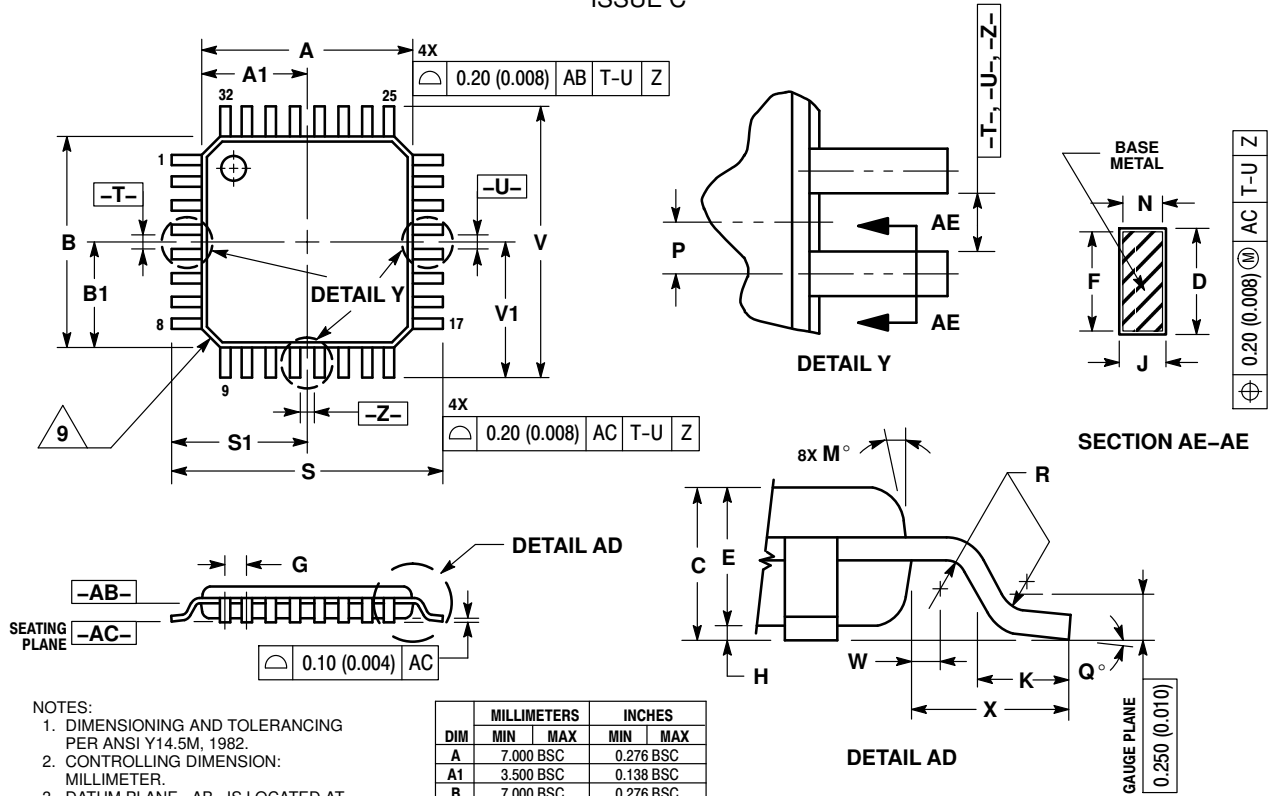
| Device         | Package              | Shipping <sup>†</sup> |
|----------------|----------------------|-----------------------|
| NB3V8312CFAG   | LQFP-32<br>(Pb-Free) | 250 Units / Tray      |
| NB3V8312CFAR2G | LQFP-32<br>(Pb-Free) | 2000 / Tape & Reel    |
| NB3V8312CMNG   | QFN32<br>(Pb-Free)   | 74 Units / Rail       |
| NB3V8312CMNR4G | QFN32<br>(Pb-Free)   | 1000 / Tape & Reel    |

<sup>†</sup>For information on tape and reel specifications, including part orientation and tape sizes, please refer to our Tape and Reel Packaging Specifications Brochure, BRD8011/D.

# NB3V8312C

## PACKAGE DIMENSIONS

32 LEAD LQFP  
CASE 873A-02  
ISSUE C



**NOTES:**

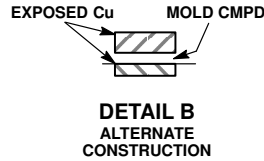
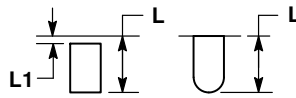
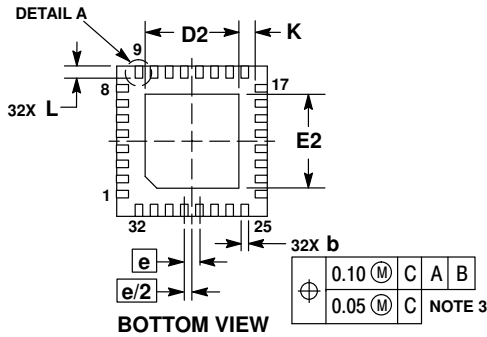
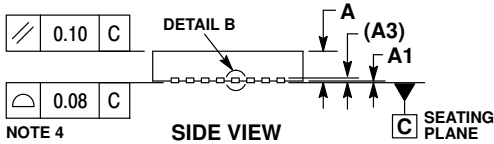
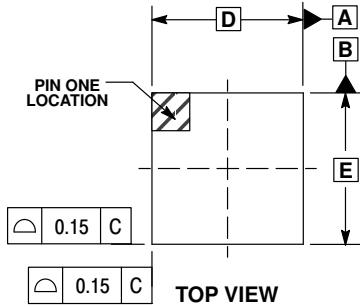
1. DIMENSIONING AND TOLERANCING PER ANSI Y14.5M, 1982.
2. CONTROLLING DIMENSION: MILLIMETER.
3. DATUM PLANE -AB- IS LOCATED AT BOTTOM OF LEAD AND IS COINCIDENT WITH THE LEAD WHERE THE LEAD EXITS THE PLASTIC BODY AT THE BOTTOM OF THE PARTING LINE.
4. DATUMS -T-, -U-, AND -Z- TO BE DETERMINED AT DATUM PLANE -AB-.
5. DIMENSIONS S AND V TO BE DETERMINED AT SEATING PLANE -AC-.
6. DIMENSIONS A AND B DO NOT INCLUDE MOLD PROTRUSION. ALLOWABLE MOLD PROTRUSION IS 0.250 (0.010) PER SIDE. DIMENSIONS A AND B DO INCLUDE MOLD MISMATCH AND ARE DETERMINED AT DATUM PLANE -AB-.
7. DIMENSION D DOES NOT INCLUDE DAMBAR PROTRUSION. DAMBAR PROTRUSION SHALL NOT CAUSE THE D DIMENSION TO EXCEED 0.520 (0.020).
8. MINIMUM SOLDER PLATE THICKNESS SHALL BE 0.0076 (0.0003).
9. EXACT SHAPE OF EACH CORNER MAY VARY FROM DEPICTION.

| DIM | MILLIMETERS |       | INCHES    |       |
|-----|-------------|-------|-----------|-------|
|     | MIN         | MAX   | MIN       | MAX   |
| A   | 7.000 BSC   |       | 0.276 BSC |       |
| A1  | 3.500 BSC   |       | 0.138 BSC |       |
| B   | 7.000 BSC   |       | 0.276 BSC |       |
| B1  | 3.500 BSC   |       | 0.138 BSC |       |
| C   | 1.400       | 1.600 | 0.055     | 0.063 |
| D   | 0.300       | 0.450 | 0.012     | 0.018 |
| E   | 1.350       | 1.450 | 0.053     | 0.057 |
| F   | 0.300       | 0.400 | 0.012     | 0.016 |
| G   | 0.800 BSC   |       | 0.031 BSC |       |
| H   | 0.050       | 0.150 | 0.002     | 0.006 |
| J   | 0.090       | 0.200 | 0.004     | 0.008 |
| K   | 0.450       | 0.750 | 0.018     | 0.030 |
| M   | 12° REF     |       | 12° REF   |       |
| N   | 0.090       | 0.160 | 0.004     | 0.006 |
| P   | 0.400 BSC   |       | 0.016 BSC |       |
| Q   | 1°          | 5°    | 1°        | 5°    |
| R   | 0.150       | 0.250 | 0.006     | 0.010 |
| S   | 9.000 BSC   |       | 0.354 BSC |       |
| S1  | 4.500 BSC   |       | 0.177 BSC |       |
| V   | 9.000 BSC   |       | 0.354 BSC |       |
| V1  | 4.500 BSC   |       | 0.177 BSC |       |
| W   | 0.200 REF   |       | 0.008 REF |       |
| X   | 1.000 REF   |       | 0.039 REF |       |

# NB3V8312C

## PACKAGE DIMENSIONS

QFN32 5x5, 0.5P  
CASE 488AM  
ISSUE A

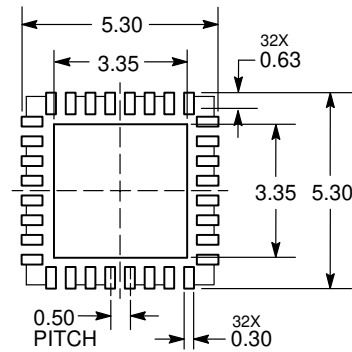


**NOTES:**

1. DIMENSIONS AND TOLERANCING PER ASME Y14.5M, 1994.
2. CONTROLLING DIMENSION: MILLIMETERS.
3. DIMENSION b APPLIES TO PLATED TERMINAL AND IS MEASURED BETWEEN 0.15 AND 0.30MM FROM THE TERMINAL TIP.
4. COPLANARITY APPLIES TO THE EXPOSED PAD AS WELL AS THE TERMINALS.

| DIM | MILLIMETERS |      |
|-----|-------------|------|
|     | MIN         | MAX  |
| A   | 0.80        | 1.00 |
| A1  | ---         | 0.05 |
| A3  | 0.20        | REF  |
| b   | 0.18        | 0.30 |
| D   | 5.00        | BSC  |
| D2  | 2.95        | 3.25 |
| E   | 5.00        | BSC  |
| E2  | 2.95        | 3.25 |
| e   | 0.50        | BSC  |
| K   | 0.20        | ---  |
| L   | 0.30        | 0.50 |
| L1  | ---         | 0.15 |

**RECOMMENDED SOLDERING FOOTPRINT\***



\*For additional information on our Pb-Free strategy and soldering details, please download the ON Semiconductor Soldering and Mounting Techniques Reference Manual, SOLDERRM/D.

ON Semiconductor and are registered trademarks of Semiconductor Components Industries, LLC (SCILLC). SCILLC owns the rights to a number of patents, trademarks, copyrights, trade secrets, and other intellectual property. A listing of SCILLC's product/patent coverage may be accessed at [www.onsemi.com/site/pdf/Patent-Marking.pdf](http://www.onsemi.com/site/pdf/Patent-Marking.pdf). SCILLC reserves the right to make changes without further notice to any products herein. SCILLC makes no warranty, representation or guarantee regarding the suitability of its products for any particular purpose, nor does SCILLC assume any liability arising out of the application or use of any product or circuit, and specifically disclaims any and all liability, including without limitation special, consequential or incidental damages. "Typical" parameters which may be provided in SCILLC data sheets and/or specifications can and do vary in different applications and actual performance may vary over time. All operating parameters, including "Typicals" must be validated for each customer application by customer's technical experts. SCILLC does not convey any license under its patent rights nor the rights of others. SCILLC products are not designed, intended, or authorized for use as components in systems intended for surgical implant into the body, or other applications intended to support or sustain life, or for any other application in which the failure of the SCILLC product could create a situation where personal injury or death may occur. Should Buyer purchase or use SCILLC products for any such unintended or unauthorized application, Buyer shall indemnify and hold SCILLC and its officers, employees, subsidiaries, affiliates, and distributors harmless against all claims, costs, damages, and expenses, and reasonable attorney fees arising out of, directly or indirectly, any claim of personal injury or death associated with such unintended or unauthorized use, even if such claim alleges that SCILLC was negligent regarding the design or manufacture of the part. SCILLC is an Equal Opportunity/Affirmative Action Employer. This literature is subject to all applicable copyright laws and is not for resale in any manner.

**PUBLICATION ORDERING INFORMATION**

**LITERATURE FULFILLMENT:**  
Literature Distribution Center for ON Semiconductor  
P.O. Box 5163, Denver, Colorado 80217 USA  
**Phone:** 303-675-2175 or 800-344-3860 Toll Free USA/Canada  
**Fax:** 303-675-2176 or 800-344-3867 Toll Free USA/Canada  
**Email:** [orderlit@onsemi.com](mailto:orderlit@onsemi.com)

**N. American Technical Support:** 800-282-9855 Toll Free  
USA/Canada  
**Europe, Middle East and Africa Technical Support:**  
Phone: 421 33 790 2910  
**Japan Customer Focus Center**  
Phone: 81-3-5817-1050

**ON Semiconductor Website:** [www.onsemi.com](http://www.onsemi.com)  
**Order Literature:** <http://www.onsemi.com/orderlit>  
For additional information, please contact your local Sales Representative