



Chipsmall Limited consists of a professional team with an average of over 10 year of expertise in the distribution of electronic components. Based in Hongkong, we have already established firm and mutual-benefit business relationships with customers from,Europe,America and south Asia,supplying obsolete and hard-to-find components to meet their specific needs.

With the principle of “Quality Parts,Customers Priority,Honest Operation,and Considerate Service”,our business mainly focus on the distribution of electronic components. Line cards we deal with include Microchip,ALPS,ROHM,Xilinx,Pulse,ON,Everlight and Freescale. Main products comprise IC,Modules,Potentiometer,IC Socket,Relay,Connector.Our parts cover such applications as commercial,industrial, and automotives areas.

We are looking forward to setting up business relationship with you and hope to provide you with the best service and solution. Let us make a better world for our industry!



Contact us

Tel: +86-755-8981 8866 Fax: +86-755-8427 6832

Email & Skype: info@chipsmall.com Web: www.chipsmall.com

Address: A1208, Overseas Decoration Building, #122 Zhenhua RD., Futian, Shenzhen, China



PART NAME

NON-METALLIC ENCLOSURE (STYLE A)

PART No.

NBA-10144 & NBA-10164

MATERIAL:

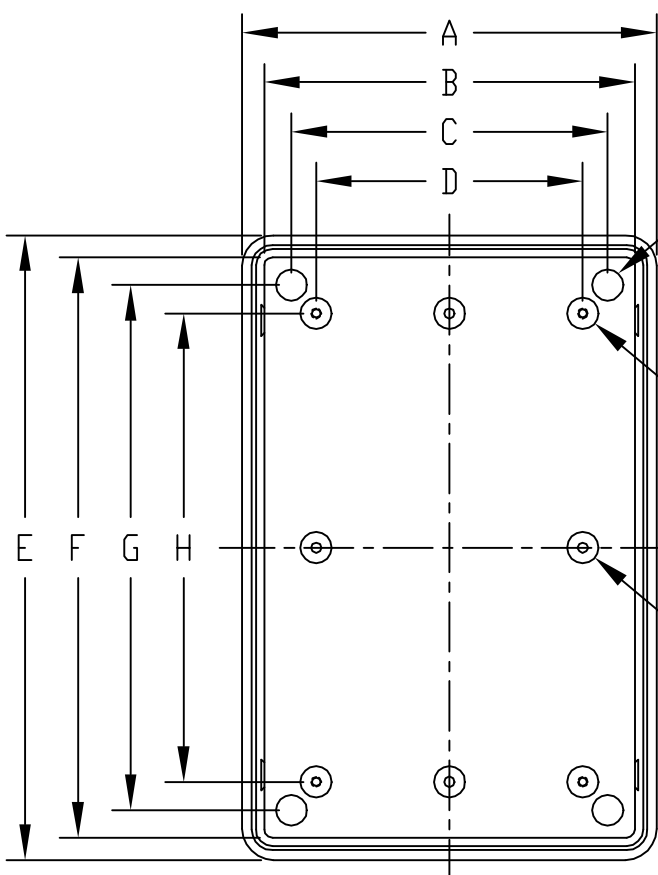
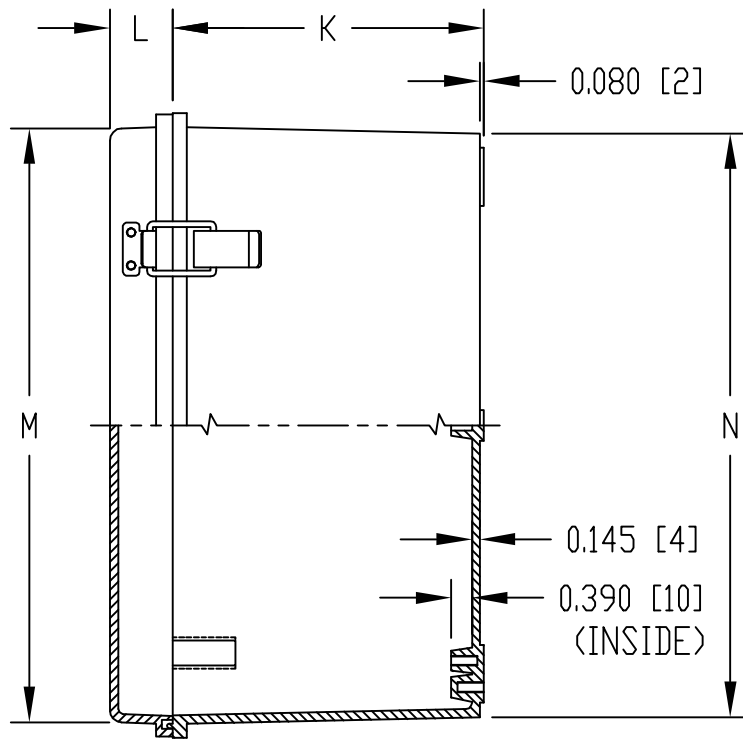
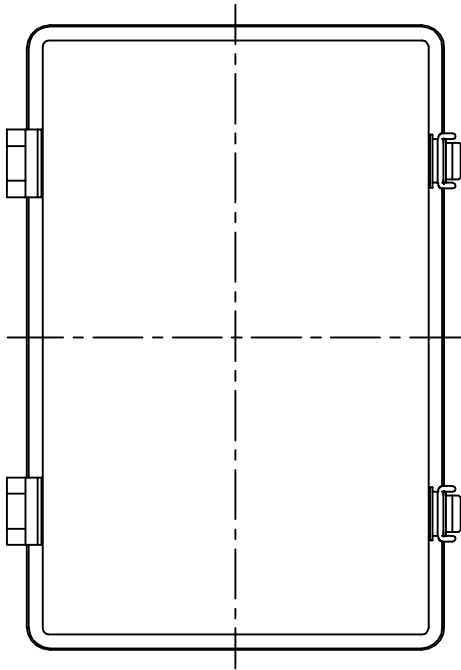
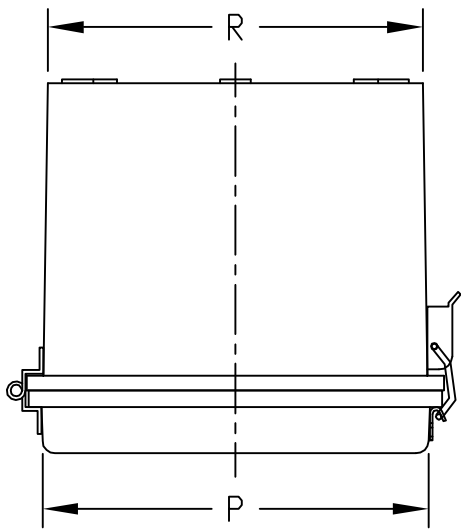
SOLID BODY & COVER _____ ABS/PC BLENDED PLASTIC
UL94-5VB FLAMMABILITY RATING

CLEAR COVER _____ POLYCARBONATE PLASTIC
UL94V-0 FLAMMABILITY RATING
UV STABILIZED

LATCHES, HINGES &
WALL MOUNTING BRACKETS _____ STAINLESS STEEL

FINISH:

BODY _____ LIGHT GRAY
COVER _____ LIGHT GRAY OR CLEAR



VIEW LESS COVER

0.590 [15] DIA. BOSS
WITH M5 x 0.8mm
THREADED BRASS INSERT
(4) PLACES (FAR SIDE)

0.590 [15] DIA. BOSS
WITH M5 x 0.8mm
THREADED BRASS INSERT
(4) PLACES

0.590 [15] DIA. BOSS WITH
0.197 [5] DIA. HOLE x
0.395 [10] DEEP (4) PLACES
BOSSSES ACCEPT M6 METRIC OR
0.250" STD. SHEET METAL SCREWS
x 0.375 [9] LG. (NOT SUPPLIED)

COVER INCLUDES GRAY POLY-
URETHANE GASKET.

NOTE: UNIT COMES COMPLETE WITH
(4) WALL MOUNTING BRKTS.
& (4) M5 x 10mm LG. TRUSS
HD. MACHINE SCREWS (NOT SHOWN)

INTERNAL HINGED PANEL MOUNTING
BRACKETS, AIR & MOISTURE VENTS,
STAINLESS STEEL LOCKING HASP
AND GALVANIZED STEEL INTERNAL
PANEL ARE NOT INCLUDED, BUT
CAN BE PURCHASED SEPARATELY.

INDUSTRY STANDARDS:

UL508 TYPE 1, 2, 4, 4X INDOOR, 12 & 13
NEMA TYPE 1, 2, 4, 4X, 12 & 13
IEC529-IP65

DIMENSIONS = INCHES
[MILLIMETERS]

NOTE: ALL DIMENSIONS HAVE ±0.039 [±1] TOLERANCE
UNLESS OTHERWISE SPECIFIED

PART NO.		DIMENSIONS													
SOLID COVER	CLEAR COVER	A	B	C	D	E	F	G	H	K	L	M	N	P	R
NBA-10144	NBA-10164	7.848 [199]	7.021 [178]	5.990 [152]	5.050 [128]	11.832 [301]	10.989 [279]	9.949 [253]	8.872 [225]	5.899 [150]	1.186 [30]	11.253 [286]	11.060 [281]	7.308 [186]	7.100 [180]