



Chipsmall Limited consists of a professional team with an average of over 10 year of expertise in the distribution of electronic components. Based in Hongkong, we have already established firm and mutual-benefit business relationships with customers from,Europe,America and south Asia,supplying obsolete and hard-to-find components to meet their specific needs.

With the principle of “Quality Parts,Customers Priority,Honest Operation,and Considerate Service”,our business mainly focus on the distribution of electronic components. Line cards we deal with include Microchip,ALPS,ROHM,Xilinx,Pulse,ON,Everlight and Freescale. Main products comprise IC,Modules,Potentiometer,IC Socket,Relay,Connector.Our parts cover such applications as commercial,industrial, and automotives areas.

We are looking forward to setting up business relationship with you and hope to provide you with the best service and solution. Let us make a better world for our industry!



Contact us

Tel: +86-755-8981 8866 Fax: +86-755-8427 6832

Email & Skype: info@chipsmall.com Web: www.chipsmall.com

Address: A1208, Overseas Decoration Building, #122 Zhenhua RD., Futian, Shenzhen, China



PART NAME

NON-METALLIC ENCLOSURE (STYLE A)

PART No.

NBA-10156 & NBA-10176

MATERIAL:

SOLID BODY & COVER — ABS/PC BLENDED PLASTIC
 UL94-5VB FLAMMABILITY RATING
 CLEAR COVER — POLYCARBONATE PLASTIC
 UL94V-0 FLAMMABILITY RATING
 UV STABILIZED
 LATCHES, HINGES & WALL MOUNTING BRACKETS — STAINLESS STEEL

FINISH:

BODY — LIGHT GRAY
 COVER — LIGHT GRAY OR CLEAR

NOTE: UNIT COMES COMPLETE WITH (4) WALL MOUNTING BRKTS. & (4) M5 x 10mm LG. TRUSS HD. MACHINE SCREWS (NOT SHOWN)

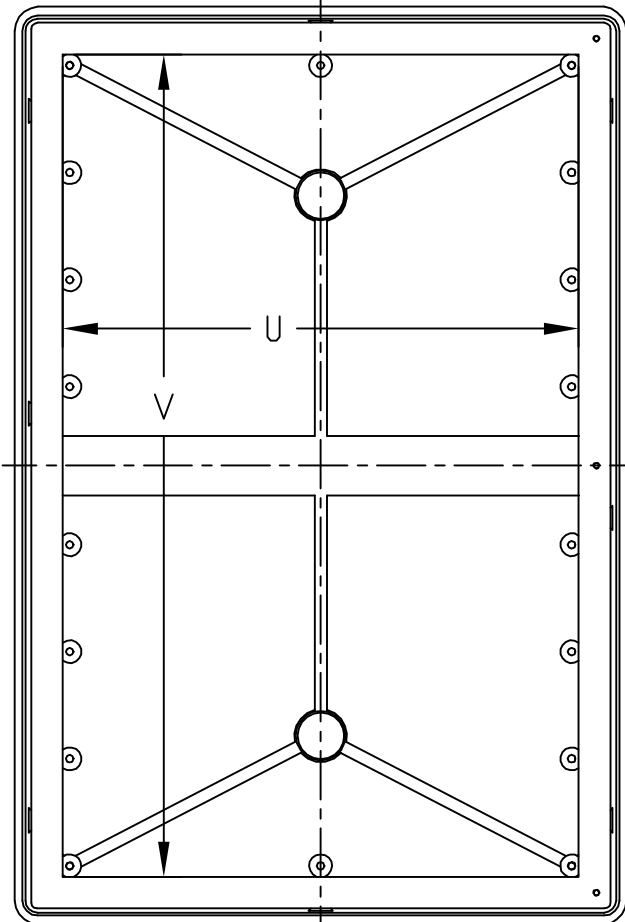
INDUSTRY STANDARDS:

UL508 TYPE 1, 2, 4, 4X INDOOR, 12 & 13
 NEMA TYPE 1, 2, 4, 4X, 12 & 13
 IEC529-IP65

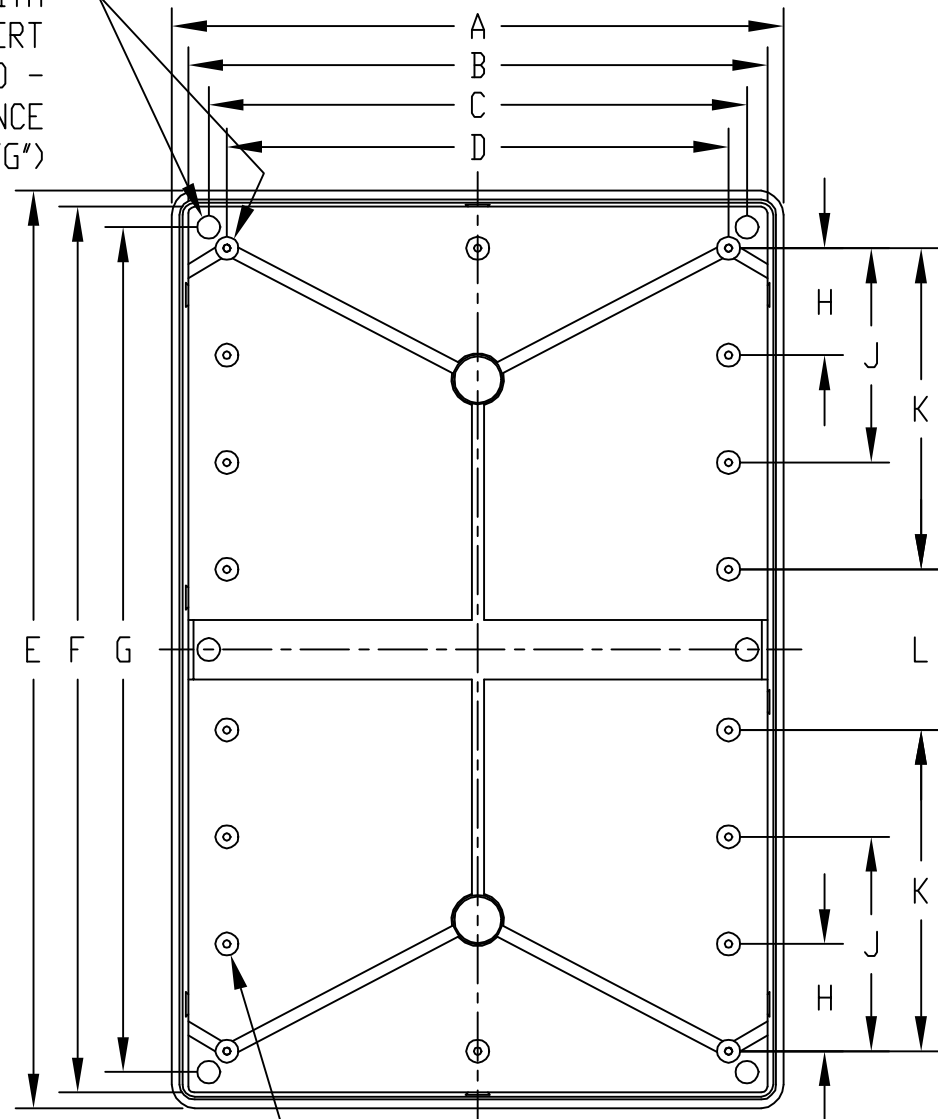
COVER INCLUDES GRAY POLY-URETHANE GASKET.

INTERNAL HINGED PANEL MOUNTING BRACKETS, AIR & MOISTURE VENTS, STAINLESS STEEL LOCKING HASP AND GALVANIZED STEEL INTERNAL PANEL ARE NOT INCLUDED, BUT CAN BE PURCHASED SEPARATELY.

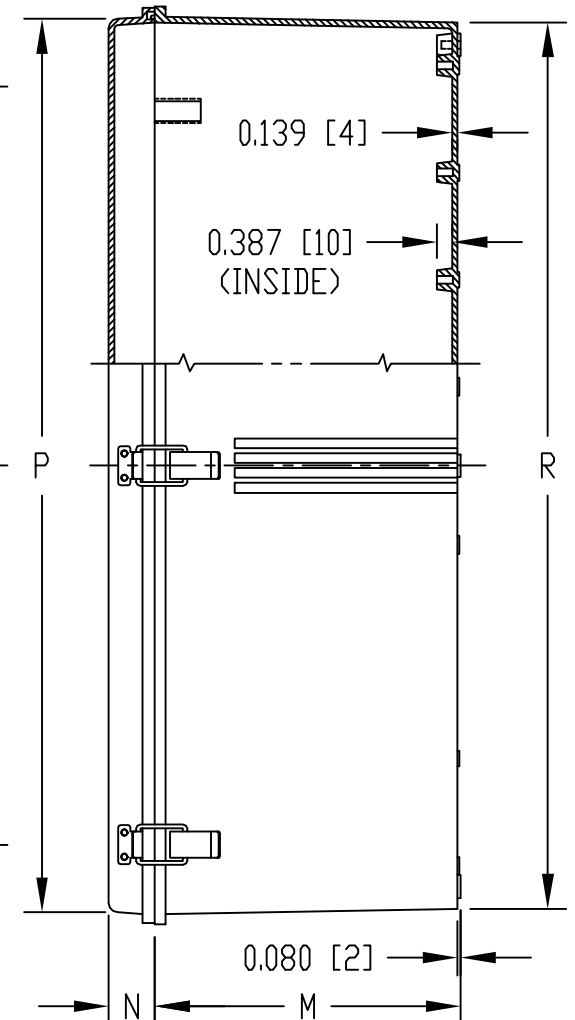
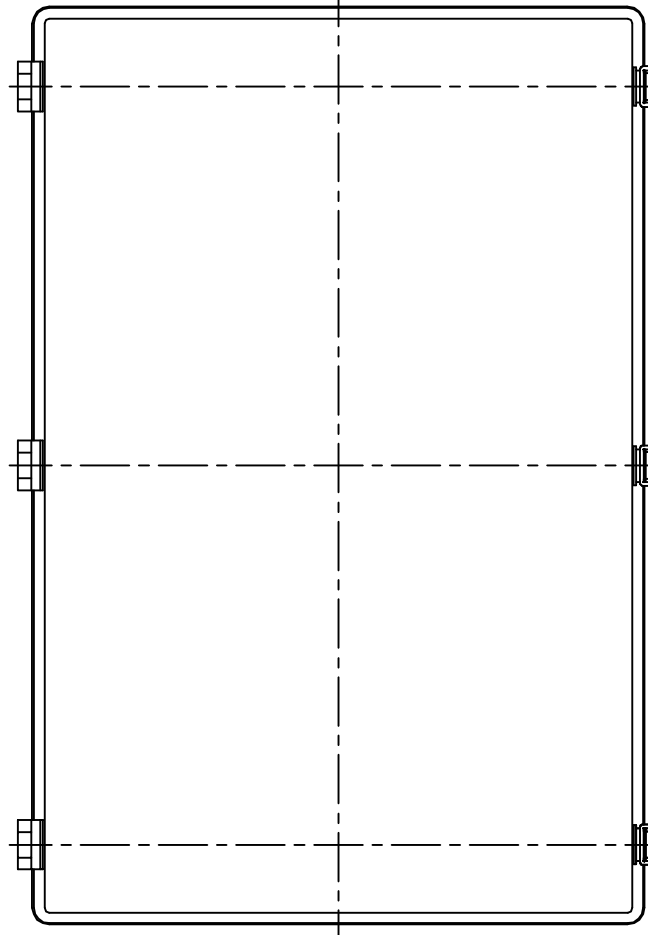
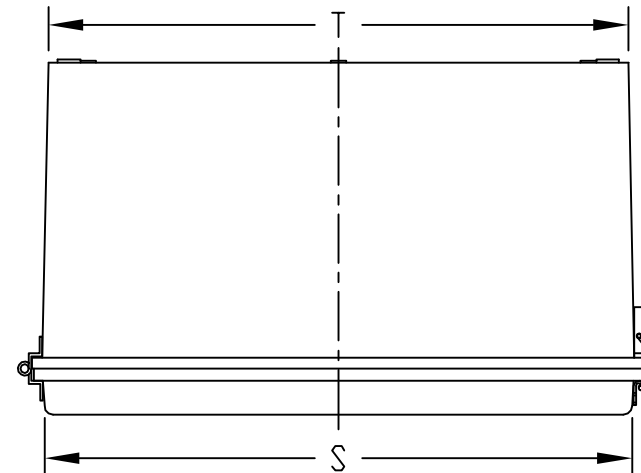
0.590 [15] DIA. BOSS WITH M5 x 0.8mm THREADED BRASS INSERT (4) PL'S INSIDE AS SHOWN - AND - (6) PL'S OUTSIDE (REFERENCE LOCATION DIMENSIONS "C" AND "G")



VIEW LESS COVER 0.590 [15] DIA. BOSS WITH 0.197 [5] DIA. HOLE x 0.410 [10] DEEP (14) PLACES BOSSES ACCEPT M6 METRIC OR 0.250" STD. SHEET METAL SCREWS x 0.375 [9] LG. (NOT SUPPLIED)



VIEW LESS COVER AND PANEL MOUNTING FRAME



NOTE: ALL DIMENSIONS HAVE ±0.039 [±1] TOLERANCE UNLESS OTHERWISE SPECIFIED

PART NO.		DIMENSIONS = INCHES [MILLIMETERS]																		
GRAY COVER	CLEAR COVER	A	B	C	D	E	F	G	H	J	K	L	M	N	P	R	S	T	U	V
NBA-10156	NBA-10176	15.733 [400]	14.900 [378]	13.843 [352]	12.903 [328]	23.610 [600]	22.785 [579]	21.734 [552]	2.755 [70]	5.512 [140]	8.262 [210]	4.130 [105]	7.871 [200]	1.185 [30]	22.982 [584]	22.812 [579]	15.120 [384]	14.920 [380]	13.273 [337]	21.150 [537]