



Chipsmall Limited consists of a professional team with an average of over 10 year of expertise in the distribution of electronic components. Based in Hongkong, we have already established firm and mutual-benefit business relationships with customers from,Europe,America and south Asia,supplying obsolete and hard-to-find components to meet their specific needs.

With the principle of “Quality Parts,Customers Priority,Honest Operation,and Considerate Service”,our business mainly focus on the distribution of electronic components. Line cards we deal with include Microchip,ALPS,ROHM,Xilinx,Pulse,ON,Everlight and Freescale. Main products comprise IC,Modules,Potentiometer,IC Socket,Relay,Connector.Our parts cover such applications as commercial,industrial, and automotives areas.

We are looking forward to setting up business relationship with you and hope to provide you with the best service and solution. Let us make a better world for our industry!



Contact us

Tel: +86-755-8981 8866 Fax: +86-755-8427 6832

Email & Skype: info@chipsmall.com Web: www.chipsmall.com

Address: A1208, Overseas Decoration Building, #122 Zhenhua RD., Futian, Shenzhen, China



PART NAME: NON-METALLIC ENCLOSURE (STYLE E) PART No.: NBE-10543 AND NBE-10563

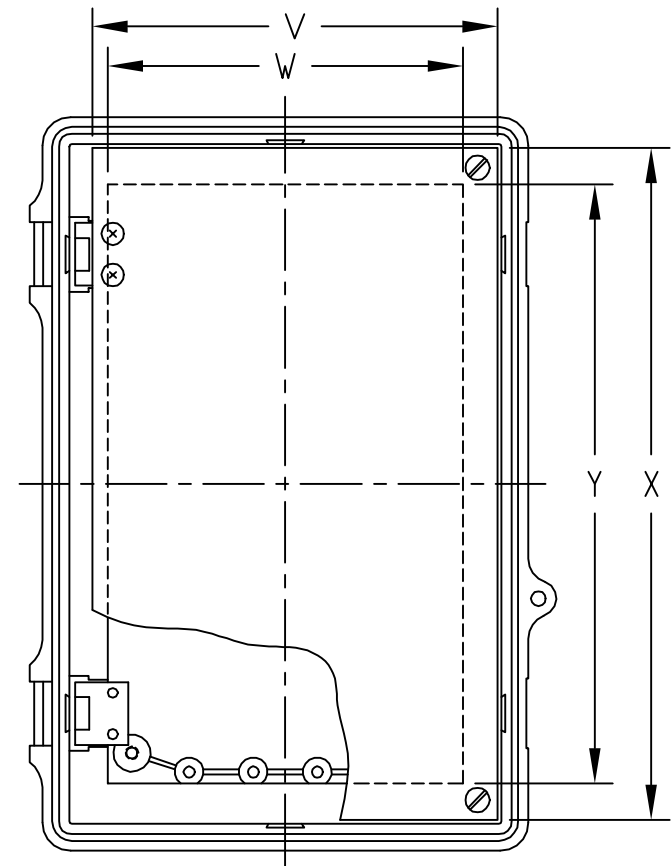
MATERIAL:
 SOLID BODY & COVER _____ ABS/PC BLENDED PLASTIC
 UL94-5VB FLAMMABILITY RATING
 CLEAR COVER _____ POLYCARBONATE PLASTIC
 UL94V-0 FLAMMABILITY RATING
 UV STABILIZED
 PANEL _____ 0.078 THICK ALUMINUM
 LATCHES & HINGES _____ NON-METALLIC
 WALL MOUNTING BRACKETS _____ STAINLESS STEEL

FINISH:
 BODY _____ LIGHT GRAY
 COVER _____ LIGHT GRAY OR CLEAR
 PANEL _____ ANODIZED
 COVER INCLUDES GRAY POLY-URETHANE GASKET.

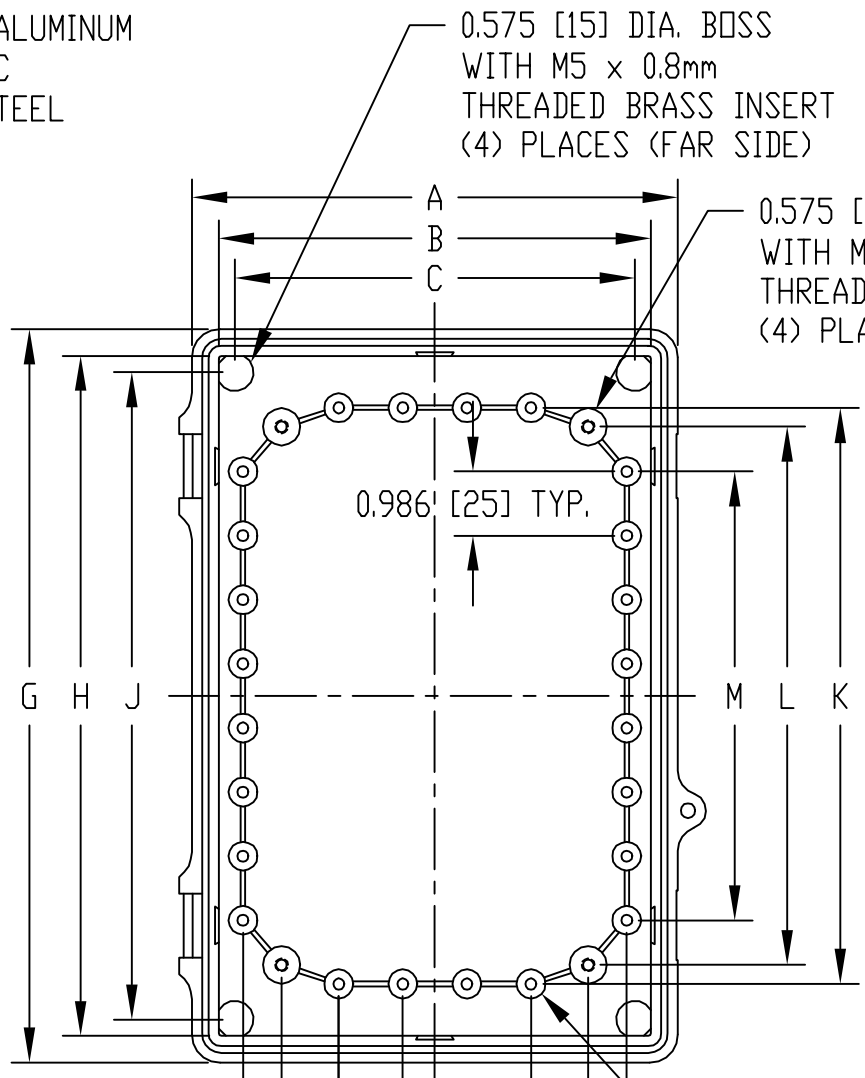
INDUSTRY STANDARDS:
 UL508 TYPE 1, 2, 4, 4X INDOOR, 12 & 13
 NEMA TYPE 1, 2, 4, 4X, 12 & 13
 IEC529-IP65

AIR AND MOISTURE VENTS, GALVANIZED STEEL INTERNAL PANEL AND STAINLESS STEEL LOCKING HASP ARE NOT INCLUDED, BUT CAN BE PURCHASED SEPARATELY.

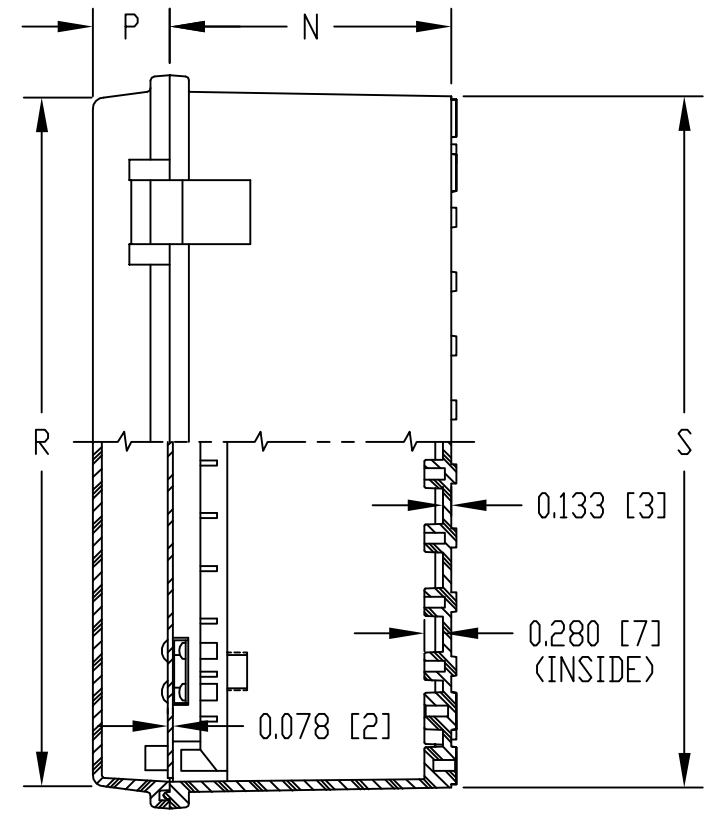
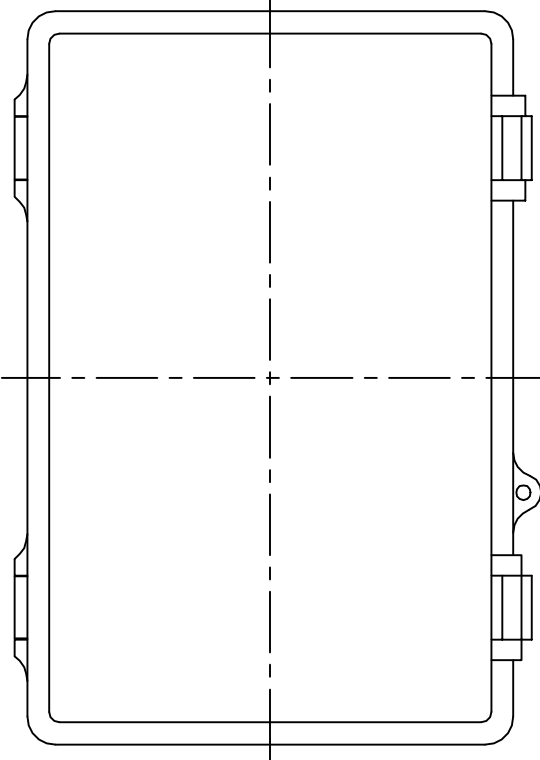
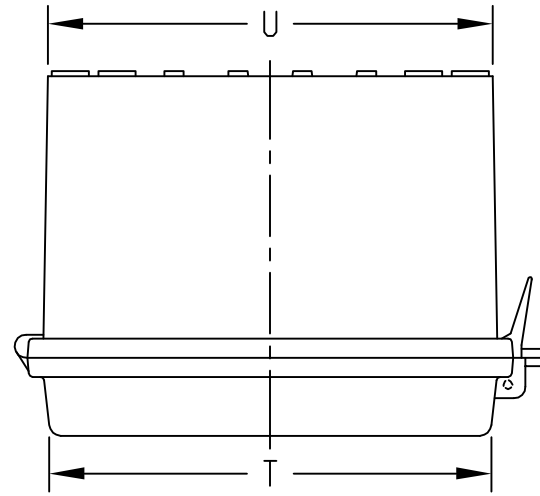
UNIT COMES COMPLETE WITH (4) WALL MOUNTING BRKTS. & (4) M5 x 10mm LG. TRUSS HD. MACHINE SCREWS (NOT SHOWN)



VIEW LESS COVER



VIEW LESS COVER AND SWINGFRAME PANEL



0.575 [15] DIA. BOSS WITH M5 x 0.8mm THREADED BRASS INSERT (4) PLACES (FAR SIDE)

0.444 [11] DIA. BOSS WITH 0.170 [4] DIA. HOLE x 0.315 [8] DEEP (24) PLACES
 BOSSES ACCEPT M5 METRIC OR #10 STD. SHEET METAL SCREWS x 0.250 [6] LG. (NOT SUPPLIED)

DIMENSIONS = INCHES [MILLIMETERS]

NOTE: ALL DIMENSIONS HAVE ±0.039 [±1] TOLERANCE UNLESS OTHERWISE SPECIFIED

PART NO.		DIMENSIONS																					
SOLID COVER	CLEAR COVER	A	B	C	D	E	F	G	H	J	K	L	M	N	P	R	S	T	U	V	W	X	Y
NBE-10543	NBE-10563	7.475	6.650	6.150	5.900	4.717	2.960	11.280	10.462	9.955	8.860	8.278	6.902	4.330	1.185	10.600	10.640	6.800	6.840	6.227	5.460	10.335	9.220
		[190]	[169]	[156]	[150]	[120]	[75]	[287]	[266]	[253]	[225]	[210]	[175]	[110]	[30]	[269]	[270]	[173]	[175]	[158]	[139]	[263]	[234]