



Chipsmall Limited consists of a professional team with an average of over 10 year of expertise in the distribution of electronic components. Based in Hongkong, we have already established firm and mutual-benefit business relationships with customers from,Europe,America and south Asia,supplying obsolete and hard-to-find components to meet their specific needs.

With the principle of “Quality Parts,Customers Priority,Honest Operation,and Considerate Service”,our business mainly focus on the distribution of electronic components. Line cards we deal with include Microchip,ALPS,ROHM,Xilinx,Pulse,ON,Everlight and Freescale. Main products comprise IC,Modules,Potentiometer,IC Socket,Relay,Connector.Our parts cover such applications as commercial,industrial, and automotives areas.

We are looking forward to setting up business relationship with you and hope to provide you with the best service and solution. Let us make a better world for our industry!



## Contact us

Tel: +86-755-8981 8866 Fax: +86-755-8427 6832

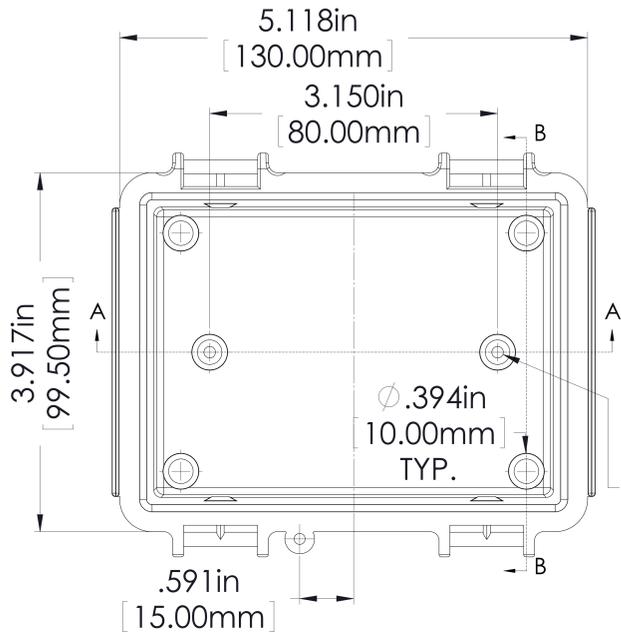
Email & Skype: info@chipsmall.com Web: www.chipsmall.com

Address: A1208, Overseas Decoration Building, #122 Zhenhua RD., Futian, Shenzhen, China



MATERIAL	FLAMMABILITY RATING	CONTINUOUS OPERATING TEMP.
ABS	UL94-HB	-40 °C ~ +60 °C / -40 °F ~ 140 °F
CLEAR PC	UL94-V0 UV STABILIZED	-40 °C ~ +130 °C / -40 °F ~ 266 °F
ABS / PC BLEND	UL94-5VA	-40 °C ~ +85 °C / -40 °F ~ 185 °F
PBT / PC BLEND	UL94-5VA + UV (f1)	-40 °C ~ +75 °C / -40 °F ~ 167 °F

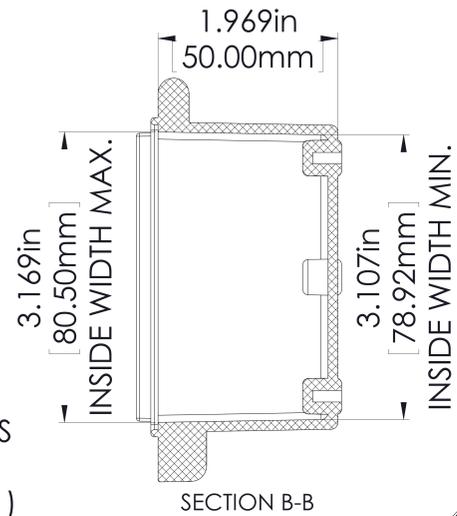
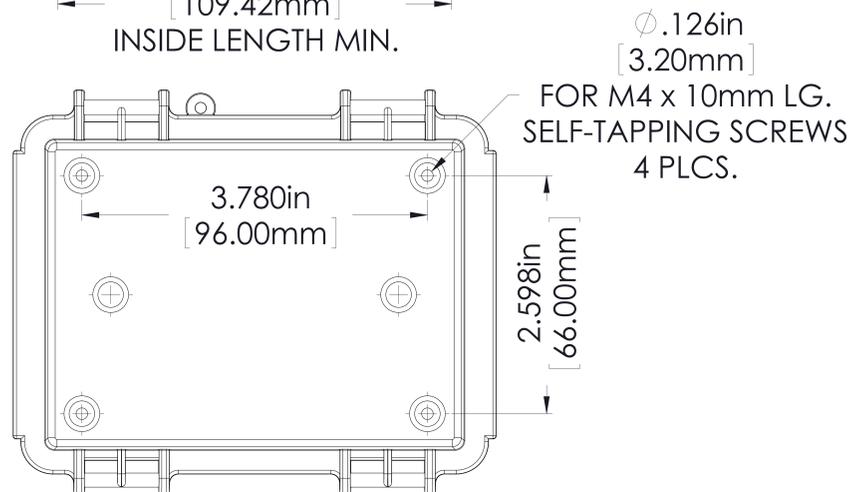
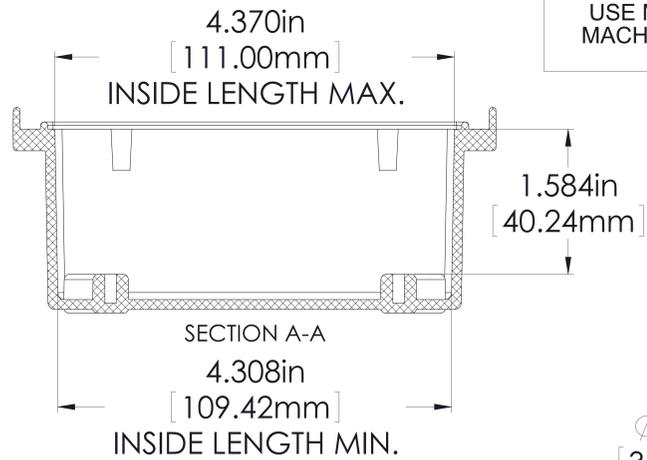
FINISH:  
 BODY \_\_\_\_\_ LIGHT GRAY  
 COVER \_\_\_\_\_ LIGHT GRAY OR CLEAR  
 LATCHES & HINGES \_\_\_\_\_ PLASTIC  
 WALL MOUNTING BRACKETS\_\_ STAINLESS STEEL & HARDWARE



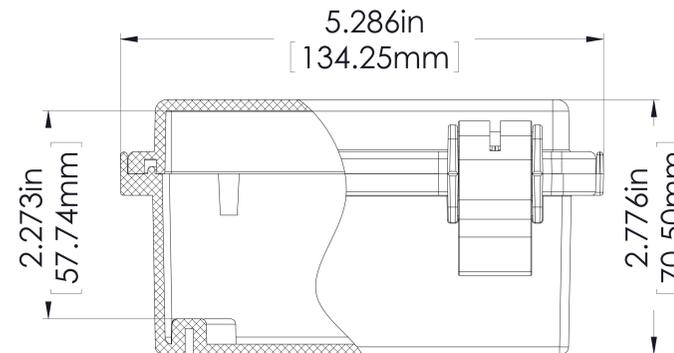
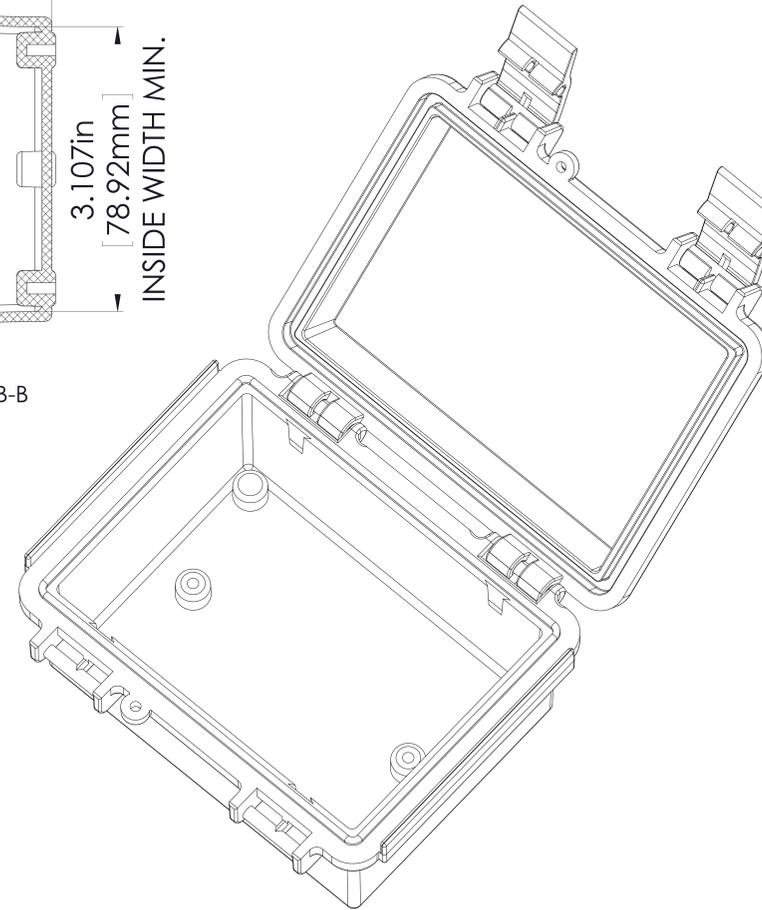
**BODY**

Ø.126in [3.20mm]  
 FOR M4 x 10mm LG. SELF-TAPPING SCREWS 2 PLCS.  
 ( ABS VERSIONS ONLY )

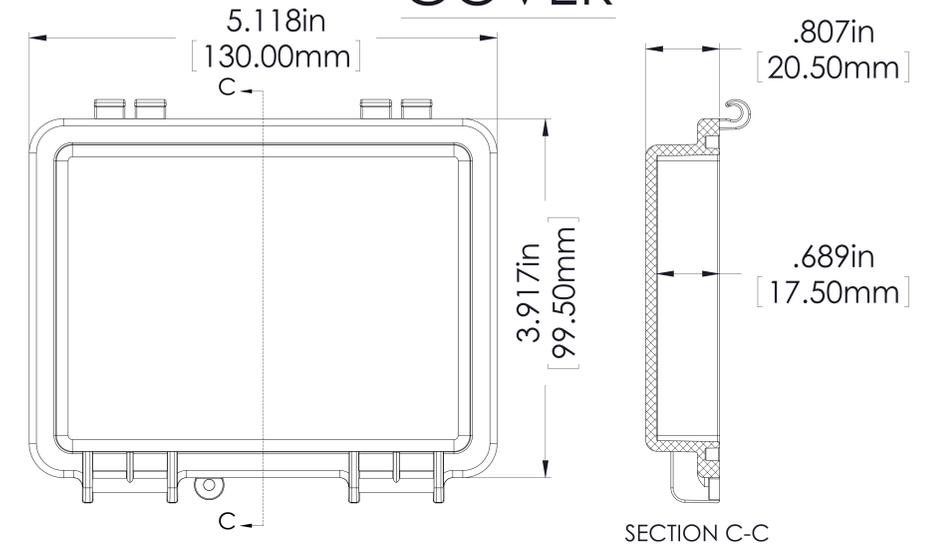
M4 THREADED INSERTS ON ALL OTHER VERSIONS USE M4 x 8mm LG. MACHINE SCREWS. 2 PLCS.



**ASSEMBLY**



**COVER**



**NOTES:**

- 1) UNIT COMES COMPLETE WITH (4) WALL MOUNTING BRACKETS & (4) M4 x 10mm LG. SELF-TAPPING SCREWS. (NOT SHOWN)
- 2) BOXES DESIGNED TO MEET FOLLOWING STANDARDS: NEMA 1,2,4,4X AND IEC529-IP65 REQUIREMENTS.

**TOLERANCES:**

ALL DIMENSIONS HAVE ±0.039in. [±1mm] TOLERANCE UNLESS OTHERWISE SPECIFIED.

PART NO.	MATERIAL		USE
	BODY	COVER	
NBF-32002	ABS	ABS	INDOOR
NBF-32102	ABS / PC	ABS / PC	INDOOR
NBF-32202	ABS / PC	CLEAR PC	INDOOR
NBF-32302	PBT / PC	PBT / PC	OUTDOOR
NBF-32402	PBT / PC	CLEAR PC	OUTDOOR