



Chipsmall Limited consists of a professional team with an average of over 10 year of expertise in the distribution of electronic components. Based in Hongkong, we have already established firm and mutual-benefit business relationships with customers from,Europe,America and south Asia,supplying obsolete and hard-to-find components to meet their specific needs.

With the principle of “Quality Parts,Customers Priority,Honest Operation,and Considerate Service”,our business mainly focus on the distribution of electronic components. Line cards we deal with include Microchip,ALPS,ROHM,Xilinx,Pulse,ON,Everlight and Freescale. Main products comprise IC,Modules,Potentiometer,IC Socket,Relay,Connector.Our parts cover such applications as commercial,industrial, and automotives areas.

We are looking forward to setting up business relationship with you and hope to provide you with the best service and solution. Let us make a better world for our industry!



Contact us

Tel: +86-755-8981 8866 Fax: +86-755-8427 6832

Email & Skype: info@chipsmall.com Web: www.chipsmall.com

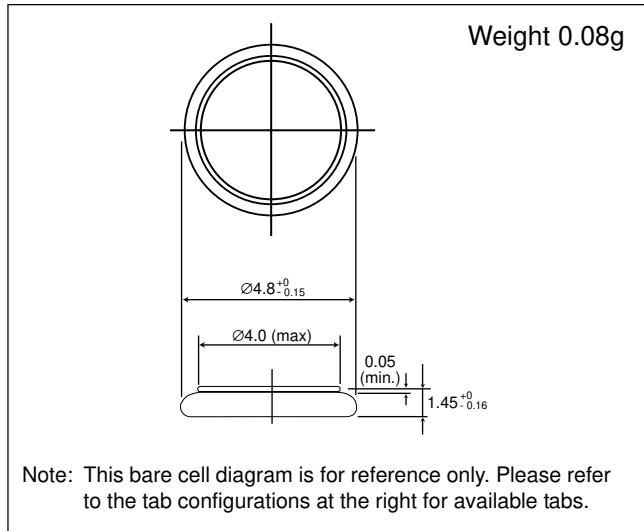
Address: A1208, Overseas Decoration Building, #122 Zhenhua RD., Futian, Shenzhen, China



Niobium-Lithium Rechargeable Batteries (NBL series): Individual Specifications

NBL414

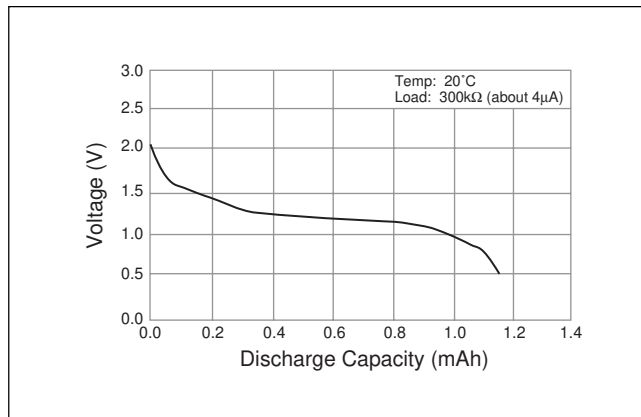
■ Dimensions(mm)



■ Specification

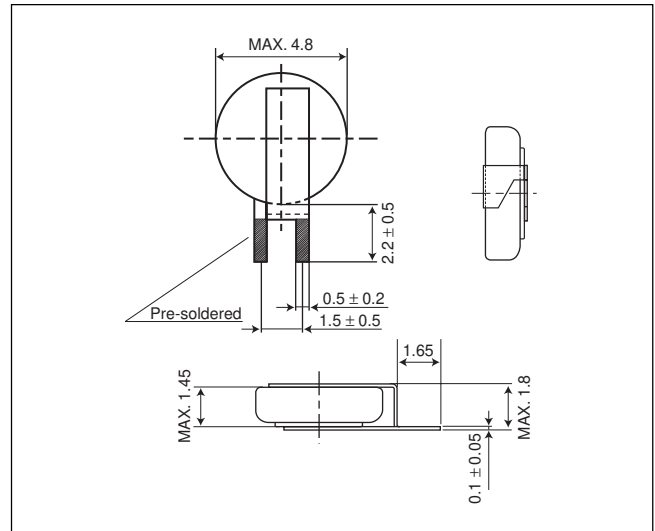
Nominal voltage (V)	2
Nominal capacity (mAh)	1.0
Continuous standard load (mA)	0.008
Operating temperature (C)	-20 ~ +60

■ Discharge characteristics



NBL414/F9D

■ Available Tab Configuration



Notes:

- To ensure proper electrical contact, it is recommended that rechargeable coin cell batteries be used with tabs for PC Board mounting. Please consult Panasonic before planning a design that will use bare coin cells without tabs (e.g. using a holder).
- Please contact Panasonic for requests on custom tab configurations. Minimum order requirements may apply.