



Chipsmall Limited consists of a professional team with an average of over 10 year of expertise in the distribution of electronic components. Based in Hongkong, we have already established firm and mutual-benefit business relationships with customers from,Europe,America and south Asia,supplying obsolete and hard-to-find components to meet their specific needs.

With the principle of "Quality Parts,Customers Priority,Honest Operation,and Considerate Service",our business mainly focus on the distribution of electronic components. Line cards we deal with include Microchip,ALPS,ROHM,Xilinx,Pulse,ON,Everlight and Freescale. Main products comprise IC,Modules,Potentiometer,IC Socket,Relay,Connector.Our parts cover such applications as commercial,industrial, and automotives areas.

We are looking forward to setting up business relationship with you and hope to provide you with the best service and solution. Let us make a better world for our industry!



## Contact us

Tel: +86-755-8981 8866 Fax: +86-755-8427 6832

Email & Skype: info@chipsmall.com Web: www.chipsmall.com

Address: A1208, Overseas Decoration Building, #122 Zhenhua RD., Futian, Shenzhen, China



# NBSG14

## 2.5 V/3.3 V SiGe Differential 1:4 Clock/Data Driver with RSECL\* Outputs

### \*Reduced Swing ECL

#### Description

The NBSG14 is a 1-to-4 clock/data distribution chip, optimized for ultra-low skew and jitter.

Inputs incorporate internal 50  $\Omega$  termination resistors and accept NECL (Negative ECL), PECL (Positive ECL), LVTTTL, LVCMOS, CML, or LVDS. Outputs are RSECL (Reduced Swing ECL), 400 mV. All outputs loaded with 50  $\Omega$  to  $V_{CC} - 2$  V.

#### Features

- Maximum Input Clock Frequency up to 12 GHz Typical
- Maximum Input Data Rate up to 12 Gb/s Typical
- 30 ps Typical Rise and Fall Times
- 125 ps Typical Propagation Delay
- RSPECL Output with Operating Range:  $V_{CC} = 2.375$  V to 3.465 V with  $V_{EE} = 0$  V
- RSNECL Output with RSNECL or NECL Inputs with Operating Range:  $V_{CC} = 0$  V with  $V_{EE} = -2.375$  V to  $-3.465$  V
- RSECL Output Level (400 mV Peak-to-Peak Output), Differential Output
- 50  $\Omega$  Internal Input Termination Resistors
- Compatible with Existing 2.5 V/3.3 V LVEP, EP, and LVEL Devices
- These are Pb-Free Devices



ON Semiconductor®

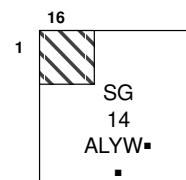
<http://onsemi.com>



1

QFN-16  
MN SUFFIX  
CASE 485G

#### MARKING DIAGRAMS\*



- A = Assembly Location
- L = Wafer Lot
- Y = Year
- W = Work Week
- = Pb-Free Package

(Note: Microdot may be in either location)

\*For additional marking information, refer to Application Note AND8002/D.

#### ORDERING INFORMATION

See detailed ordering and shipping information in the package dimensions section on page 11 of this data sheet.

# NBSG14

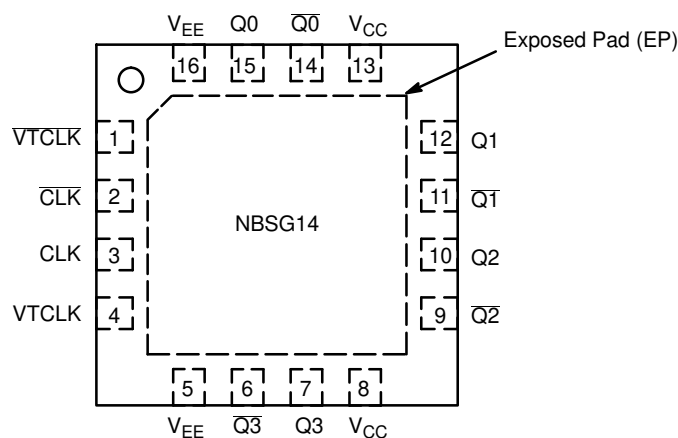


Figure 1. QFN-16 Pinout (Top View)

Table 1. PIN DESCRIPTION

Pin	Name	I/O	Description
1	VTCLK	–	Internal 50 $\Omega$ Termination pin. See Table 2.
2	$\overline{\text{CLK}}$	ECL, CML, LVCMOS, LVDS, LVTTTL Input	Inverted Differential Input. Internal 75 k $\Omega$ to $V_{EE}$ and 36.5 k $\Omega$ to $V_{CC}$ .
3	CLK	ECL, CML, LVCMOS, LVDS, LVTTTL Input	Noninverted Differential Input. Internal 75 k $\Omega$ to $V_{EE}$ .
4	VTCLK	–	Internal 50 $\Omega$ Termination Pin. See Table 2.
5, 16	$V_{EE}$	–	Negative Supply Voltage. All $V_{EE}$ Pins must be Externally Connected to Power Supply to Guarantee Proper Operation.
6	$\overline{\text{Q}}_3$	RSECL Output	Inverted Differential Output 3. Typically Terminated with 50 $\Omega$ to $V_{TT} = V_{CC} - 2 \text{ V}$
7	$\text{Q}_3$	RSECL Output	Noninverted Differential Output 3. Typically Terminated with 50 $\Omega$ to $V_{TT} = V_{CC} - 2 \text{ V}$
8, 13	$V_{CC}$	–	Positive Supply Voltage. All $V_{CC}$ Pins must be Externally Connected to Power Supply to Guarantee Proper Operation.
9	$\overline{\text{Q}}_2$	RSECL Output	Inverted Differential Output 2. Typically Terminated with 50 $\Omega$ to $V_{TT} = V_{CC} - 2 \text{ V}$
10	$\text{Q}_2$	RSECL Output	Noninverted Differential Output 2. Typically Terminated with 50 $\Omega$ to $V_{TT} = V_{CC} - 2 \text{ V}$
11	$\overline{\text{Q}}_1$	RSECL Output	Inverted Differential Output 1. Typically Terminated with 50 $\Omega$ to $V_{TT} = V_{CC} - 2 \text{ V}$
12	$\text{Q}_1$	RSECL Output	Noninverted Differential Output 1. Typically Terminated with 50 $\Omega$ to $V_{TT} = V_{CC} - 2 \text{ V}$
14	$\overline{\text{Q}}_0$	RSECL Output	Inverted Differential Output 0. Typically Terminated with 50 $\Omega$ to $V_{TT} = V_{CC} - 2 \text{ V}$
15	$\text{Q}_0$	RSECL Output	Noninverted Differential Output 0. Typically Terminated with 50 $\Omega$ to $V_{TT} = V_{CC} - 2 \text{ V}$
–	EP	–	The Exposed Pad (EP) on the QFN-16 package bottom is thermally connected to the die for improved heat transfer out of package. The exposed pad must be attached to a heat-sinking conduit. The pad is not electrically connected to the die but may be electrically and thermally connected to $V_{EE}$ on the PC board.

1. In the differential configuration when the input termination pins (VTCLK, VTCLK) are connected to a common termination voltage, if no signal is applied then the device will be susceptible to self-oscillation.

# NBSG14

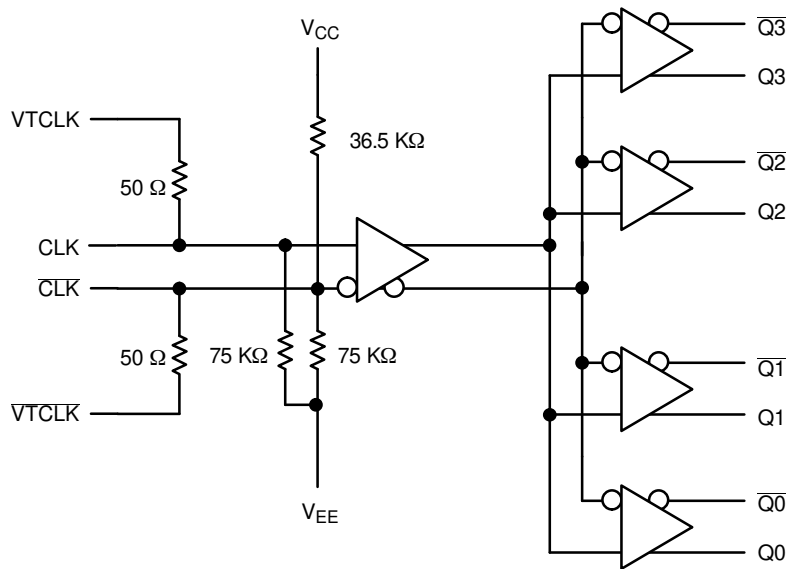


Figure 2. Logic Diagram

Table 2. INTERFACING OPTIONS

INTERFACING OPTIONS	CONNECTIONS
CML	Connect VTCLK and $\overline{VTCLK}$ to V <sub>CC</sub>
LVDS	Connect VTCLK and $\overline{VTCLK}$ Together
AG-COUPLED	Bias VTCLK and $\overline{VTCLK}$ Inputs within Common Mode Range (V <sub>IHCMR</sub> )
RSECL, PECL, NECL	Standard ECL Termination Techniques
LVTTL, LVCMOS	An External Voltage (V <sub>th</sub> ) should be Applied to the Unused Differential Input. Nominal V <sub>th</sub> is 1.5 V for LVTTL and V <sub>CC</sub> /2 for LVCMOS Inputs. This Voltage must be within the V <sub>th</sub> Specification.

Table 3. ATTRIBUTES

Characteristics	Value
Internal Input Pulldown Resistor (CLK, $\overline{CLK}$ )	75 kΩ
Internal Input Pullup Resistor ( $\overline{CLK}$ )	36.5 kΩ
ESD Protection	Human Body Model Machine Model > 2 kV > 100 V
Moisture Sensitivity (Note 1)	Pb-Free Level 1
Flammability Rating	Oxygen Index: 28 to 34 UL 94 V-0 @ 0.125 in
Transistor Count	158
Meets or exceeds JEDEC Spec EIA/JESD78 IC Latchup Test	

1. For additional information, see Application Note AND8003/D.

# NBSG14

**Table 4. MAXIMUM RATINGS**

Symbol	Parameter	Condition 1	Condition 2	Rating	Unit
$V_{CC}$	Positive Power Supply	$V_{EE} = 0\text{ V}$		3.6	V
$V_{EE}$	Negative Power Supply	$V_{CC} = 0\text{ V}$		-3.6	V
$V_I$	Positive Input Negative Input	$V_{EE} = 0\text{ V}$ $V_{CC} = 0\text{ V}$	$V_I \leq V_{CC}$ $V_I \geq V_{EE}$	3.6 -3.6	V
$V_{INPP}$	Differential Input Voltage [CLK-CLK]	$V_{CC} - V_{EE} \geq 2.8\text{ V}$ $V_{CC} - V_{EE} < 2.8\text{ V}$		2.8 $ V_{CC} - V_{EE} $	V
$I_{IN}$	Input Current Through $R_T$ (50 $\Omega$ Resistor)	Static Surge		45 80	mA
$I_{OUT}$	Output Current	Continuous Surge		25 50	mA
$T_A$	Operating Temperature Range			-40 to +70 -40 to +85	$^{\circ}\text{C}$
$T_{stg}$	Storage Temperature Range			-65 to +150	$^{\circ}\text{C}$
$\theta_{JA}$	Thermal Resistance (Junction-to-Ambient) (Note 2)	0 lfpm 500 lfpm		41.6 35.2	$^{\circ}\text{C}/\text{W}$
$\theta_{JC}$	Thermal Resistance (Junction-to-Case)	2S2P (Note 2)		4.0	$^{\circ}\text{C}/\text{W}$
$T_{sol}$	Wave Solder (Pb-Free)			265	$^{\circ}\text{C}$

Stresses exceeding those listed in the Maximum Ratings table may damage the device. If any of these limits are exceeded, device functionality should not be assumed, damage may occur and reliability may be affected.

2. JEDEC standard multilayer board – 2S2P (2 signal, 2 power) with 8 filled thermal vias under exposed pad.

# NBSG14

**Table 5. DC CHARACTERISTICS, INPUT WITH RSPECL OUTPUT**

( $V_{CC} = 2.5\text{ V}$ ;  $V_{EE} = 0\text{ V}$ ) (Note 3)

Symbol	Characteristic	-40°C			25°C			85°C			Unit
		Min	Typ	Max	Min	Typ	Max	Min	Typ	Max	

**POWER SUPPLY CURRENT**

$I_{EE}$	Negative Power Supply Current	45	60	75	45	60	75	45	60	75	mA
----------	-------------------------------	----	----	----	----	----	----	----	----	----	----

**RSPECL OUTPUTS** (Note 4)

$V_{OH}$	Output HIGH Voltage	1525	1575	1625	1550	1610	1650	1575	1635	1675	mV
$V_{OUTPP}$	Output Voltage Amplitude	315	405	495	315	405	495	315	405	495	mV

**DIFFERENTIAL CLOCK INPUTS DRIVEN SINGLE-ENDED** (Figures 5 & 7) (Note 5)

$V_{IH}$	Input HIGH Voltage	1200		$V_{CC}$	1200		$V_{CC}$	1200		$V_{CC}$	mV
$V_{IL}$	Input LOW Voltage	0		$V_{IH} - 150$	0		$V_{IH} - 150$	0		$V_{IH} - 150$	mV
$V_{th}$	Input Threshold Voltage Range (Note 6)	950		$V_{CC} - 75$	950		$V_{CC} - 75$	950		$V_{CC} - 75$	mV
$V_{ISE}$	Single-Ended Input Voltage ( $V_{IH} - V_{IL}$ )	150		2600	150		2600	150		260	mV

**DIFFERENTIAL INPUTS DRIVEN DIFFERENTIALLY** (Figures 6 & 8) (Note 7)

$V_{IHD}$	Differential Input HIGH Voltage	1200		$V_{CC}$	1200		$V_{CC}$	1200		$V_{CC}$	mV
$V_{ILD}$	Differential Input LOW Voltage	0		$V_{IHD} - 75$	0		$V_{IHD} - 75$	0		$V_{IHD} - 75$	mV
$V_{ID}$	Differential Input Voltage ( $V_{IHD} - V_{ILD}$ )	75		2600	75		2600	75		2600	mV
$V_{IHCMR}$	Input HIGH Voltage Common Mode Range (Note 8) (Figure 9)	1200		2500	1200		2500	1200		2500	mV
$I_{IH}$	Input HIGH Current (@ $V_{IH}$ )		80	150		80	150		80	150	$\mu\text{A}$
$I_{IL}$	Input LOW Current (@ $V_{IL}$ )		25	100		25	100		25	100	$\mu\text{A}$

**TERMINATION RESISTORS**

$R_{TIN}$	Internal Input Termination Resistor	45	50	55	45	50	55	45	50	55	$\Omega$
-----------	-------------------------------------	----	----	----	----	----	----	----	----	----	----------

Product parametric performance is indicated in the Electrical Characteristics for the listed test conditions, unless otherwise noted. Product performance may not be indicated by the Electrical Characteristics if operated under different conditions.

NOTE: Device will meet the specifications after thermal equilibrium has been established when mounted in a test socket or printed circuit board with maintained transverse airflow greater than 500 lfm. Electrical parameters are guaranteed only over the declared operating temperature range. Functional operation of the device exceeding these conditions is not implied. Device specification limit values are applied individually under normal operating conditions and not valid simultaneously.

3. Input and output parameters vary 1:1 with  $V_{CC}$ .

4. All outputs loaded with  $50\ \Omega$  to  $V_{CC} - 2.0\text{ V}$ .

5.  $V_{th}$ ,  $V_{IH}$ ,  $V_{IL}$ , and  $V_{ISE}$  parameters must be complied with simultaneously.

6.  $V_{th}$  is applied to the complementary input when operating in single-ended mode.  $V_{th} = (V_{IH} - V_{IL}) / 2$ .

7.  $V_{IHD}$ ,  $V_{ILD}$ ,  $V_{ID}$  and  $V_{IHCMR}$  parameters must be complied with simultaneously.

8.  $V_{IHCMR}$  min varies 1:1 with  $V_{EE}$ ,  $V_{IHCMR}$  max varies 1:1 with  $V_{CC}$ . The  $V_{IHCMR}$  range is referenced to the most positive side of the differential input signal.

# NBSG14

**Table 6. DC CHARACTERISTICS, INPUT WITH RSPECL OUTPUT**

( $V_{CC} = 3.3\text{ V}$ ;  $V_{EE} = 0\text{ V}$ ) (Note 9)

Symbol	Characteristic	-40°C			25°C			85°C			Unit
		Min	Typ	Max	Min	Typ	Max	Min	Typ	Max	

**POWER SUPPLY CURRENT**

$I_{EE}$	Negative Power Supply Current	45	60	75	45	60	75	45	60	75	mA
----------	-------------------------------	----	----	----	----	----	----	----	----	----	----

**RSPECL OUTPUTS** (Note 10)

$V_{OH}$	Output HIGH Voltage	2325	2375	2425	2350	2410	2450	2375	2435	2475	mV
$V_{OUTPP}$	Output Voltage Amplitude	350	440	530	350	440	530	350	440	530	mV

**DIFFERENTIAL CLOCK INPUTS DRIVEN SINGLE-ENDED** (Figures 5 & 7) (Note 11)

$V_{IH}$	Input HIGH Voltage	1200		$V_{CC}$	1200		$V_{CC}$	1200		$V_{CC}$	mV
$V_{IL}$	Input LOW Voltage	0		$V_{IH} - 150$	0		$V_{IH} - 150$	0		$V_{IH} - 150$	mV
$V_{th}$	Input Threshold Voltage Range (Note 12)	950		$V_{CC} - 75$	950		$V_{CC} - 75$	950		$V_{CC} - 75$	mV
$V_{ISE}$	Single-Ended Input Voltage ( $V_{IH} - V_{IL}$ )	150		2600	150		2600	150		260	mV

**DIFFERENTIAL INPUTS DRIVEN DIFFERENTIALLY** (Figures 6 & 8) (Note 13)

$V_{IHD}$	Differential Input HIGH Voltage	1200		$V_{CC}$	1200		$V_{CC}$	1200		$V_{CC}$	mV
$V_{ILD}$	Differential Input LOW Voltage	0		$V_{IHD} - 75$	0		$V_{IHD} - 75$	0		$V_{IHD} - 75$	mV
$V_{ID}$	Differential Input Voltage ( $V_{IHD} - V_{ILD}$ )	75		2600	75		2600	75		2600	mV
$V_{IHCMR}$	Input HIGH Voltage Common Mode Range (Note 14) (Figure 9)	1200		3300	1200		3300	1200		3300	mV
$I_{IH}$	Input HIGH Current (@ $V_{IH}$ )		80	150		80	150		80	150	$\mu\text{A}$
$I_{IL}$	Input LOW Current (@ $V_{IL}$ )		25	100		25	100		25	100	$\mu\text{A}$

**TERMINATION RESISTORS**

$R_{TIN}$	Internal Input Termination Resistor	45	50	55	45	50	55	45	50	55	$\Omega$
-----------	-------------------------------------	----	----	----	----	----	----	----	----	----	----------

Product parametric performance is indicated in the Electrical Characteristics for the listed test conditions, unless otherwise noted. Product performance may not be indicated by the Electrical Characteristics if operated under different conditions.

NOTE: Device will meet the specifications after thermal equilibrium has been established when mounted in a test socket or printed circuit board with maintained transverse airflow greater than 500 lfm. Electrical parameters are guaranteed only over the declared operating temperature range. Functional operation of the device exceeding these conditions is not implied. Device specification limit values are applied individually under normal operating conditions and not valid simultaneously.

9. Input and output parameters vary 1:1 with  $V_{CC}$ .

10. All outputs loaded with  $50\ \Omega$  to  $V_{CC} - 2.0\text{ V}$ .

11.  $V_{th}$ ,  $V_{IH}$ ,  $V_{IL}$ , and  $V_{ISE}$  parameters must be complied with simultaneously.

12.  $V_{th}$  is applied to the complementary input when operating in single-ended mode.  $V_{th} = (V_{IH} - V_{IL}) / 2$ .

13.  $V_{IHD}$ ,  $V_{ILD}$ ,  $V_{ID}$  and  $V_{IHCMR}$  parameters must be complied with simultaneously.

14.  $V_{IHCMR}$  min varies 1:1 with  $V_{EE}$ ,  $V_{IHCMR}$  max varies 1:1 with  $V_{CC}$ . The  $V_{IHCMR}$  range is referenced to the most positive side of the differential input signal.



# NBSG14

**Table 7. DC CHARACTERISTICS, NECL or RSNECL INPUT WITH NECL OUTPUT**

( $V_{CC} = 0$  V;  $V_{EE} = -3.465$  V to  $-2.375$  V) (Note 15)

Symbol	Characteristic	-40°C			25°C			85°C			Unit
		Min	Typ	Max	Min	Typ	Max	Min	Typ	Max	

**POWER SUPPLY CURRENT**

$I_{EE}$	Negative Power Supply Current	45	60	75	45	60	75	45	60	75	mA
----------	-------------------------------	----	----	----	----	----	----	----	----	----	----

**RSPECL OUTPUTS** (Note 16)

$V_{OH}$	Output HIGH Voltage	-975	-925	-875	-950	-890	-850	-925	-865	-825	mV
$V_{OUTPP}$	Output Voltage Amplitude -3.465 V $\leq$ $V_{EE} \leq$ -3.0 V -3.0 V $<$ $V_{EE} \leq$ -2.375 V	350 315	440 405	530 495	350 315	440 405	530 495	350 315	440 405	530 495	mV

**DIFFERENTIAL CLOCK INPUTS DRIVEN SINGLE-ENDED** (Figures 5 & 7) (Note 17)

$V_{IH}$	Input HIGH Voltage	$V_{EE} + 1200$		$V_{CC}$	$V_{EE} + 1200$		$V_{CC}$	$V_{EE} + 1200$		$V_{CC}$	mV
$V_{IL}$	Input LOW Voltage	$V_{EE}$		$V_{IH} - 150$	$V_{EE}$		$V_{IH} - 150$	$V_{EE}$		$V_{IH} - 150$	mV
$V_{th}$	Input Threshold Voltage Range (Note 18)	$V_{EE} + 950$		$V_{CC} - 75$	$V_{EE} + 950$		$V_{CC} - 75$	$V_{EE} + 950$		$V_{CC} - 75$	mV
$V_{ISE}$	Single-Ended Input Voltage ( $V_{IH} - V_{IL}$ )	150		2600	150		2600	150		260	mV

**DIFFERENTIAL INPUTS DRIVEN DIFFERENTIALLY** (Figures 6 & 8) (Note 19)

$V_{IHD}$	Differential Input HIGH Voltage	$V_{EE} + 1200$		$V_{CC}$	$V_{EE} + 1200$		$V_{CC}$	$V_{EE} + 1200$		$V_{CC}$	mV
$V_{ILD}$	Differential Input LOW Voltage	$V_{EE}$		$V_{IHD} - 75$	$V_{EE}$		$V_{IHD} - 75$	$V_{EE}$		$V_{IHD} - 75$	mV
$V_{ID}$	Differential Input Voltage ( $V_{IHD} - V_{ILD}$ )	75		2600	75		2600	75		2600	mV
$V_{IHCMR}$	Input HIGH Voltage Common Mode Range (Note 20) (Figure 9)	$V_{EE} + 1200$		0	$V_{EE} + 1200$		0	$V_{EE} + 1200$		0	mV
$I_{IH}$	Input HIGH Current (@ $V_{IH}$ )		80	150		80	150		80	150	$\mu$ A
$I_{IL}$	Input LOW Current (@ $V_{IL}$ )		25	100		25	100		25	100	$\mu$ A

**TERMINATION RESISTORS**

$R_{TIN}$	Internal Input Termination Resistor	45	50	55	45	50	55	45	50	55	$\Omega$
-----------	-------------------------------------	----	----	----	----	----	----	----	----	----	----------

Product parametric performance is indicated in the Electrical Characteristics for the listed test conditions, unless otherwise noted. Product performance may not be indicated by the Electrical Characteristics if operated under different conditions.

NOTE: Device will meet the specifications after thermal equilibrium has been established when mounted in a test socket or printed circuit board with maintained transverse airflow greater than 500 lfm. Electrical parameters are guaranteed only over the declared operating temperature range. Functional operation of the device exceeding these conditions is not implied. Device specification limit values are applied individually under normal operating conditions and not valid simultaneously.

15. Input and output parameters vary 1:1 with  $V_{CC}$ .

16. All outputs loaded with 50  $\Omega$  to  $V_{CC} - 2.0$  V.

17.  $V_{th}$ ,  $V_{IH}$ ,  $V_{IL}$ , and  $V_{ISE}$  parameters must be complied with simultaneously.

18.  $V_{th}$  is applied to the complementary input when operating in single-ended mode.  $V_{th} = (V_{IH} - V_{IL}) / 2$ .

19.  $V_{IHD}$ ,  $V_{ILD}$ ,  $V_{ID}$  and  $V_{IHCMR}$  parameters must be complied with simultaneously.

20.  $V_{IHCMR}$  min varies 1:1 with  $V_{EE}$ .  $V_{IHCMR}$  max varies 1:1 with  $V_{CC}$ . The  $V_{IHCMR}$  range is referenced to the most positive side of the differential input signal.



# NBSG14

**Table 8. AC CHARACTERISTICS**

( $V_{CC} = 0\text{ V}$ ;  $V_{EE} = -3.465\text{ V}$  to  $-2.375\text{ V}$  or  $V_{CC} = 2.375\text{ V}$  to  $3.465\text{ V}$ ;  $V_{EE} = 0\text{ V}$ )

Symbol	Characteristic	-40°C			25°C			85°C			Unit
		Min	Typ	Max	Min	Typ	Max	Min	Typ	Max	
$f_{max}$	Maximum Input Clock Frequency (See Figure 3) (Note 21)	10.5	12		10.5	12		10.5	12		GHz
$t_{PLH}$ , $t_{PHL}$	Propagation Delay to Output Differential	90	125	160	90	125	160	90	125	160	ps
$t_{SKEW}$	Duty Cycle Skew (Note 22) Within-Device Skew (Note 23) Device-to-Device Skew (Note 24)		3 6 25	15 15 50		3 6 25	15 15 50		3 6 25	15 15 50	ps
$t_{JITTER}$	RMS Random Clock Jitter (Figure 3) (Note 26) $f_{in} < 10\text{ GHz}$ Peak-to-Peak Data Dependent Jitter (Note 27) $f_{in} < 10\text{ Gb/s}$		0.2	1		0.2 10	1		0.2	1	ps
$V_{INPP}$	Input Voltage Swing/Sensitivity (Differential Configuration) (Note 25)	75		2600	75		2600	75		2600	mV
$t_r$ $t_f$	Output Rise/Fall Times $Q, \bar{Q}$ (20% – 80%) @ 1 GHz	15	30	55	20	30	55	20	30	55	ps

NOTE: Device will meet the specifications after thermal equilibrium has been established when mounted in a test socket or printed circuit board with maintained transverse airflow greater than 500 lfm. Electrical parameters are guaranteed only over the declared operating temperature range. Functional operation of the device exceeding these conditions is not implied. Device specification limit values are applied individually under normal operating conditions and not valid simultaneously.

21. Measured using a 500 mV source, 50% duty cycle clock source. All outputs loaded with  $50\ \Omega$  to  $V_{CC} - 2.0\text{ V}$ . Input edge rates 40 ps (20% – 80%)

22. See Figure 10.  $t_{SKEW} = |t_{PLH} - t_{PHL}|$  for a nominal 50% Differential Clock Input Waveform.

23. Within-Device skew is measured between outputs under identical transitions and conditions on any one device.

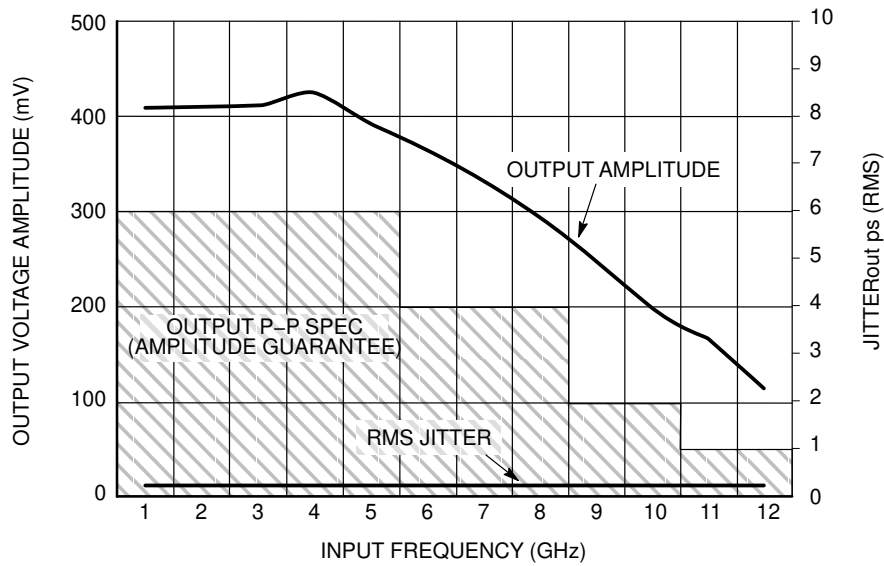
24. Device-to-Device skew for identical transitions at identical  $V_{CC}$  levels.

25.  $V_{INPP}$  (MAX) cannot exceed  $V_{CC} - V_{EE}$  (applicable only when  $V_{CC} - V_{EE} < 2600\text{ mV}$ ).

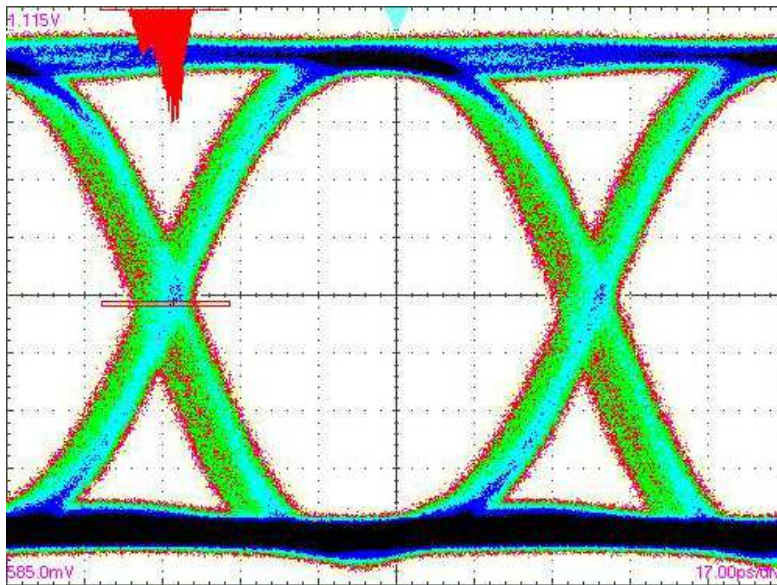
26. Additive RMS Jitter with 50% duty cycle clock signal at 10 GHz.

27. Additive Peak-to-Peak data dependent jitter with NRZ PRBS  $2^{31}-1$  data at 10 Gb/s.

# NBSG14



**Figure 3. Output Voltage Amplitude ( $V_{OUTPP}$ ) / RMS Jitter vs. Input Frequency ( $f_{in}$ ) at Ambient Temperature (Typical)**



X = 17 ps/DIV, Y = 53 mV/DIV

**Figure 4. Eye Diagram at 10.8 Gbps**  
 ( $V_{CC} - V_{EE} = 3.3\text{ V}$  @  $25^\circ\text{C}$  with Input Data Pattern of  $2^{31}-1$  PRBS.  
 Total Pk-Pk System Jitter Including Signal Generator is 18 ps.  
 This Data was taken by Acquiring 7000 Waveforms.)

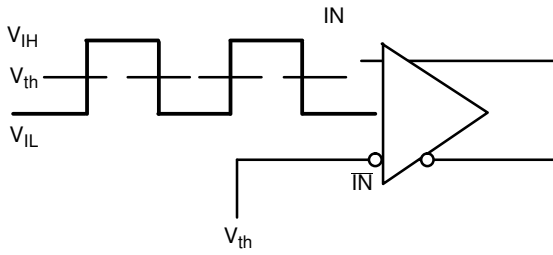


Figure 5. Differential Input Driven Single-Ended

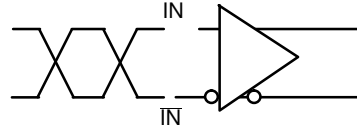


Figure 6. Differential Inputs Driven Differentially

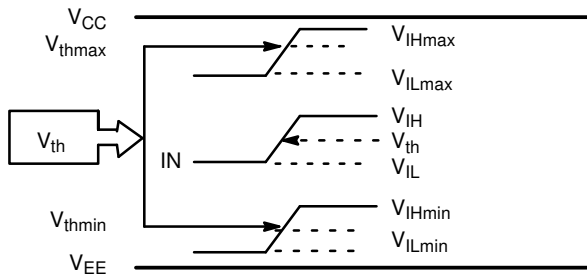


Figure 7.  $V_{th}$  Diagram

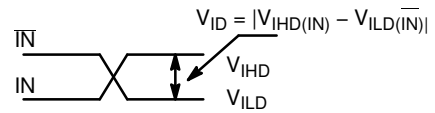


Figure 8. Differential Inputs Driven Differentially

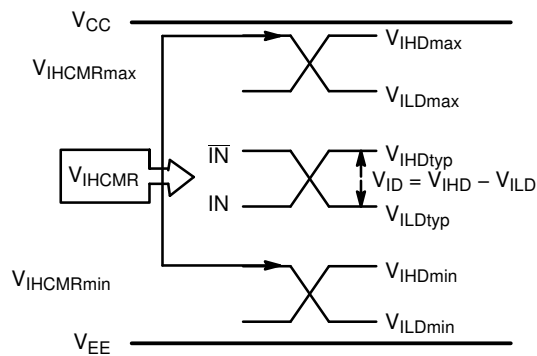


Figure 9.  $V_{IHCMR}$  Diagram

# NBSG14

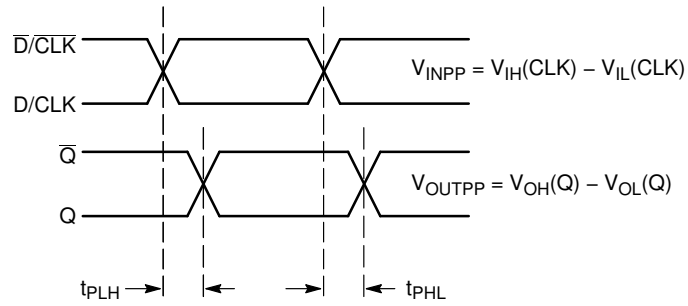


Figure 10. AC Reference Measurement

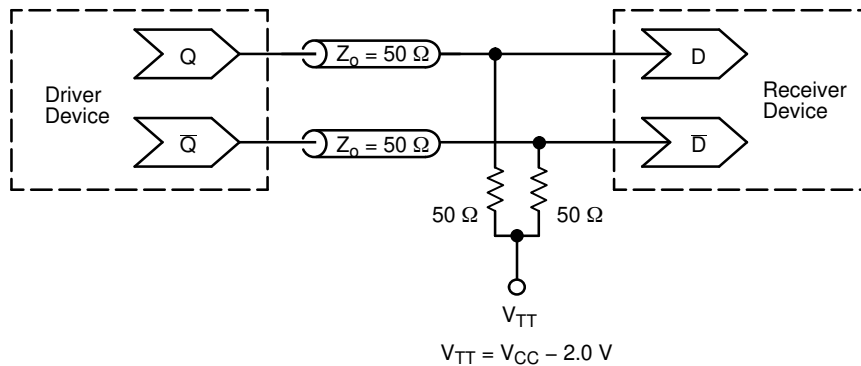


Figure 11. Typical Termination for Output Driver and Device Evaluation  
(See Application Note AND8020/D – Termination of ECL Logic Devices.)

## ORDERING INFORMATION

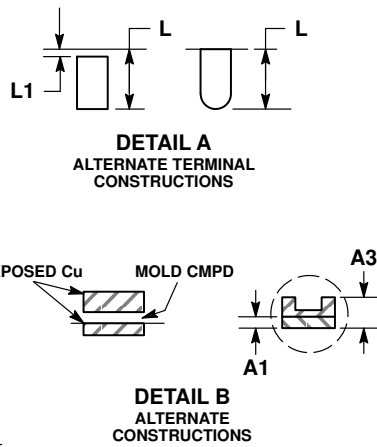
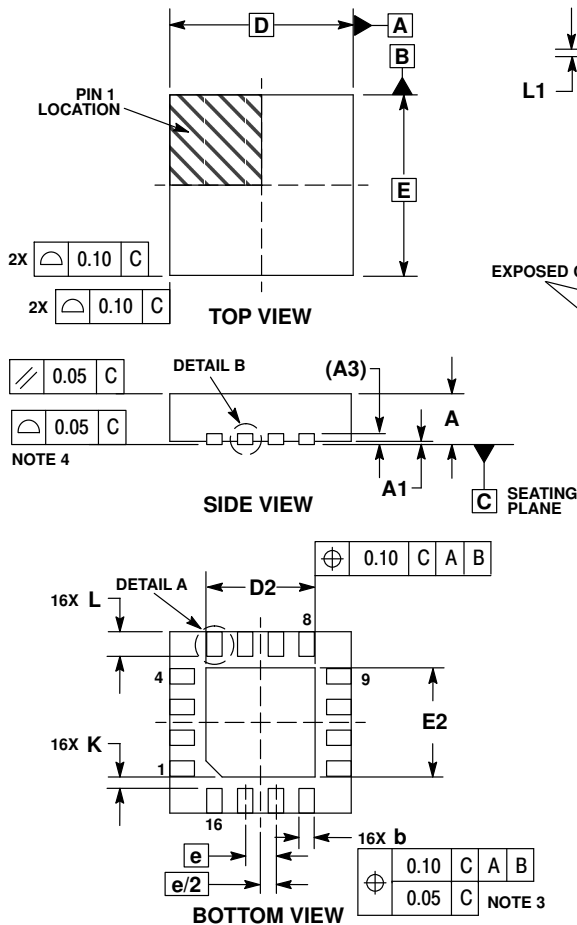
Device	Package	Shipping <sup>†</sup>
NBSG14MNG	QFN-16 (Pb-Free / Halide-Free)	123 Units / Tube
NBSG14MNR2G	QFN-16 (Pb-Free / Halide-Free)	3000 / Tape & Reel
NBSG14MNHTBG	QFN-16 (Pb-Free / Halide-Free)	100 / Tape & Reel

<sup>†</sup>For information on tape and reel specifications, including part orientation and tape sizes, please refer to our Tape and Reel Packaging Specifications Brochure, BRD8011/D.

# NBSG14

## PACKAGE DIMENSIONS

QFN16 3x3, 0.5P  
CASE 485G  
ISSUE F

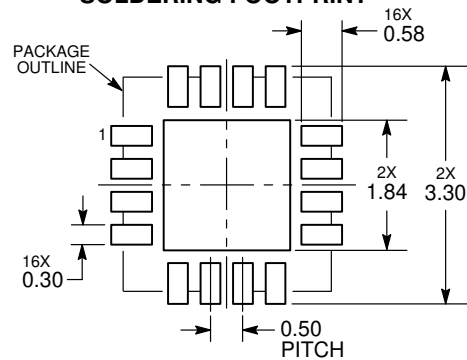


**NOTES:**

1. DIMENSIONING AND TOLERANCING PER ASME Y14.5M, 1994.
2. CONTROLLING DIMENSION: MILLIMETERS.
3. DIMENSION b APPLIES TO PLATED TERMINAL AND IS MEASURED BETWEEN 0.25 AND 0.30 MM FROM TERMINAL.
4. COPLANARITY APPLIES TO THE EXPOSED PAD AS WELL AS THE TERMINALS.

DIM	MILLIMETERS		
	MIN	NOM	MAX
A	0.80	0.90	1.00
A1	0.00	0.03	0.05
A3	0.20 REF		
b	0.18	0.24	0.30
D	3.00 BSC		
D2	1.65	1.75	1.85
E	3.00 BSC		
E2	1.65	1.75	1.85
e	0.50 BSC		
K	0.18 TYP		
L	0.30	0.40	0.50
L1	0.00	0.08	0.15

**RECOMMENDED SOLDERING FOOTPRINT\***



DIMENSIONS: MILLIMETERS

\*For additional information on our Pb-Free strategy and soldering details, please download the ON Semiconductor Soldering and Mounting Techniques Reference Manual, SOLDERM/D.

ON Semiconductor and are registered trademarks of Semiconductor Components Industries, LLC (SCILLC). SCILLC owns the rights to a number of patents, trademarks, copyrights, trade secrets, and other intellectual property. A listing of SCILLC's product/patent coverage may be accessed at [www.onsemi.com/site/pdf/Patent-Marking.pdf](http://www.onsemi.com/site/pdf/Patent-Marking.pdf). SCILLC reserves the right to make changes without further notice to any products herein. SCILLC makes no warranty, representation or guarantee regarding the suitability of its products for any particular purpose, nor does SCILLC assume any liability arising out of the application or use of any product or circuit, and specifically disclaims any and all liability, including without limitation special, consequential or incidental damages. "Typical" parameters which may be provided in SCILLC data sheets and/or specifications can and do vary in different applications and actual performance may vary over time. All operating parameters, including "Typicals" must be validated for each customer application by customer's technical experts. SCILLC does not convey any license under its patent rights nor the rights of others. SCILLC products are not designed, intended, or authorized for use as components in systems intended for surgical implant into the body, or other applications intended to support or sustain life, or for any other application in which the failure of the SCILLC product could create a situation where personal injury or death may occur. Should Buyer purchase or use SCILLC products for any such unintended or unauthorized application, Buyer shall indemnify and hold SCILLC and its officers, employees, subsidiaries, affiliates, and distributors harmless against all claims, costs, damages, and expenses, and reasonable attorney fees arising out of, directly or indirectly, any claim of personal injury or death associated with such unintended or unauthorized use, even if such claim alleges that SCILLC was negligent regarding the design or manufacture of the part. SCILLC is an Equal Opportunity/Affirmative Action Employer. This literature is subject to all applicable copyright laws and is not for resale in any manner.

**PUBLICATION ORDERING INFORMATION**

**LITERATURE FULFILLMENT:**  
Literature Distribution Center for ON Semiconductor  
P.O. Box 5163, Denver, Colorado 80217 USA  
**Phone:** 303-675-2175 or 800-344-3860 Toll Free USA/Canada  
**Fax:** 303-675-2176 or 800-344-3867 Toll Free USA/Canada  
**Email:** [orderlit@onsemi.com](mailto:orderlit@onsemi.com)

**N. American Technical Support:** 800-282-9855 Toll Free  
USA/Canada  
**Europe, Middle East and Africa Technical Support:**  
Phone: 421 33 790 2910  
**Japan Customer Focus Center**  
Phone: 81-3-5817-1050

**ON Semiconductor Website:** [www.onsemi.com](http://www.onsemi.com)  
**Order Literature:** <http://www.onsemi.com/orderlit>  
For additional information, please contact your local Sales Representative