



Chipsmall Limited consists of a professional team with an average of over 10 year of expertise in the distribution of electronic components. Based in Hongkong, we have already established firm and mutual-benefit business relationships with customers from,Europe,America and south Asia,supplying obsolete and hard-to-find components to meet their specific needs.

With the principle of "Quality Parts,Customers Priority,Honest Operation,and Considerate Service",our business mainly focus on the distribution of electronic components. Line cards we deal with include Microchip,ALPS,ROHM,Xilinx,Pulse,ON,Everlight and Freescale. Main products comprise IC,Modules,Potentiometer,IC Socket,Relay,Connector.Our parts cover such applications as commercial,industrial, and automotives areas.

We are looking forward to setting up business relationship with you and hope to provide you with the best service and solution. Let us make a better world for our industry!



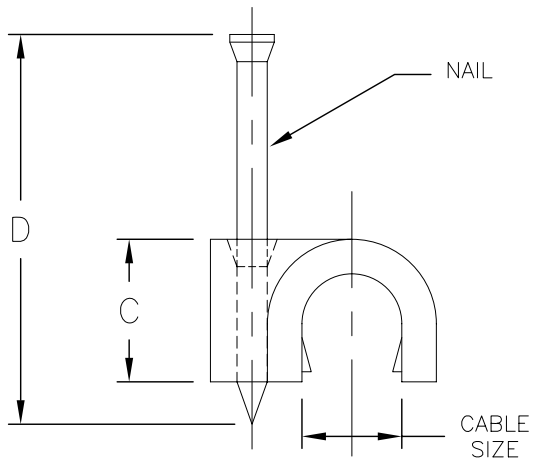
Contact us

Tel: +86-755-8981 8866 Fax: +86-755-8427 6832

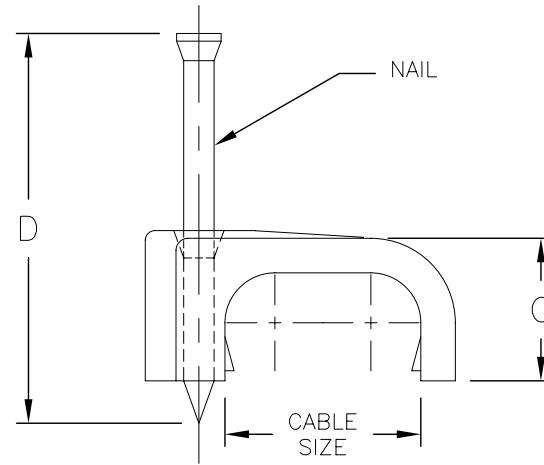
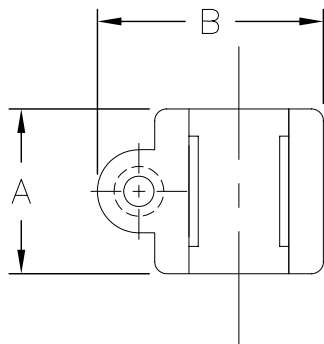
Email & Skype: info@chipsmall.com Web: www.chipsmall.com

Address: A1208, Overseas Decoration Building, #122 Zhenhua RD., Futian, Shenzhen, China

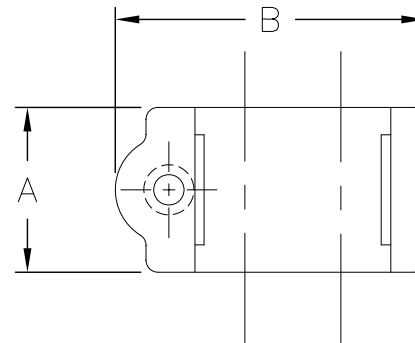




"NC" CLIP



"FC" CLIP



$\triangle 02$ PART NUMBER DESCRIPTION

NC8_LP
COLOR

.984[25,00]	.386[9,80]	.925[23,50]	.374[9,50]	.551[14,00]	FC14_
.984[25,00]	.512[13,00]	.827[21,00]	.492[12,50]	.433[11,00]	NC11_
.787[20,00]	.413[10,50]	.630[16,00]	.354[9,00]	.354[9,00]	NC9_
.787[20,00]	.394[10,00]	.622[15,80]	.335[8,50]	.315[8,00]	NC8_
$\triangle 02$ 1.370[34,80]					NC8_LP
.787[20,00]	.339[8,60]	.571[14,50]	.315[8,00]	.276[7,00]	NC7_
$\triangle 02$ 1.367[34,72]					NC7_LP
.630[16,00]	.315[8,00]	.492[12,50]	.256[6,50]	.236[6,00]	NC6_
$\triangle 02$ 1.363[34,62]					NC6_LP
.630[16,00]	.264[6,70]	.469[11,90]	.236[6,00]	.197[5,00]	NC5_
.630[16,00]	.181[4,60]	.181[4,60]	.189[4,80]	.138[3,50]	NC3.5_
D $\pm .020[.51]$	C $\pm .020[.51]$	B $\pm .020[.51]$	A $\pm .020[.51]$	CABLE SIZE	PART NO.

INVENTORS

HellermannTyton

ALL PROPRIETARY RIGHTS IN THE SUBJECT MATTER SHOWN ON THIS DRAWING ARE EXCLUSIVE PROPERTY OF HELLERMANNTYTON

name	date	city, state

REVISION

level	date	by	ECN #	part level
$\triangle 01$	01/11/01	AAC	002931	A

DIMENSIONS

.XXXX=
.XXX= NOTED
.XX= NOTED
.X=
L=
unless otherwise specified
units inches/mm

PART

number	SEE CHART	phase	PRODUCTION
name	NAIL CLIPS		
material	$\triangle 02$ CLIP - HIGH DENSITY POLYETHYLENE NAIL - HIGH CARBON STEEL WIRE		

DRAWING

FORMAT	AH	version	M	CAD	ACAD	scale	2X
computer file number	CL\SER\2002002_02		previous number				
drawn	SSL	checked	K.A.C.	approved			
date	02/27/98	date	05/30/02	date			
type	CUSTOMER		sheet	1 of 1			
number	CL2002002SER						