



Chipsmall Limited consists of a professional team with an average of over 10 year of expertise in the distribution of electronic components. Based in Hongkong, we have already established firm and mutual-benefit business relationships with customers from,Europe,America and south Asia,supplying obsolete and hard-to-find components to meet their specific needs.

With the principle of “Quality Parts,Customers Priority,Honest Operation,and Considerate Service”,our business mainly focus on the distribution of electronic components. Line cards we deal with include Microchip,ALPS,ROHM,Xilinx,Pulse,ON,Everlight and Freescale. Main products comprise IC,Modules,Potentiometer,IC Socket,Relay,Connector.Our parts cover such applications as commercial,industrial, and automotives areas.

We are looking forward to setting up business relationship with you and hope to provide you with the best service and solution. Let us make a better world for our industry!



## Contact us

Tel: +86-755-8981 8866 Fax: +86-755-8427 6832

Email & Skype: info@chipsmall.com Web: www.chipsmall.com

Address: A1208, Overseas Decoration Building, #122 Zhenhua RD., Futian, Shenzhen, China





*Think Automation and beyond...*



***IDEC Hydraulic-Magnetic Circuit Breakers***  
***NC1V Series***



# Hydraulic-Magnetic Circuit Breakers

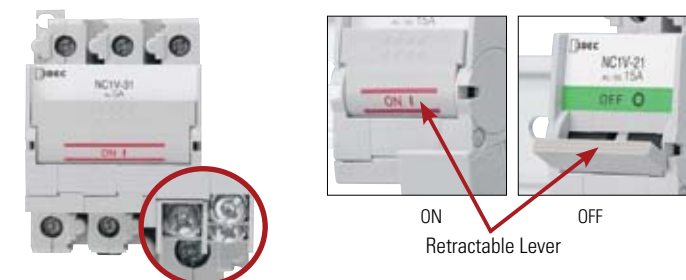
Using a hydraulic-magnetic tripping method ensures calibration of the NC1V Circuit Breaker is unaffected by ambient temperature. The NC1V series will carry their full rated current continuously over a wide temperature range, from -10 to 60°C, providing a more reliable and accurate system. With many other available features, make NC1V Circuit Breakers your choice to provide more value for your investment.



Reliable, safe and accurate

## NC1V Circuit Breakers

- Hydraulic-magnetic tripping system
- Slim housing design; 1, 2, and 3-pole
- Cost-effective fuse block replacement - better accuracy over temperature
- Flat retractable lever for safety operations
- Spring-up terminals allow for use of ring terminals
- DIN rail or direct panel mount
- Optional built-in auxiliary or alarm controls
- UL1077



Auxiliary or Alarm Contact  
(Shown without terminal cover.)



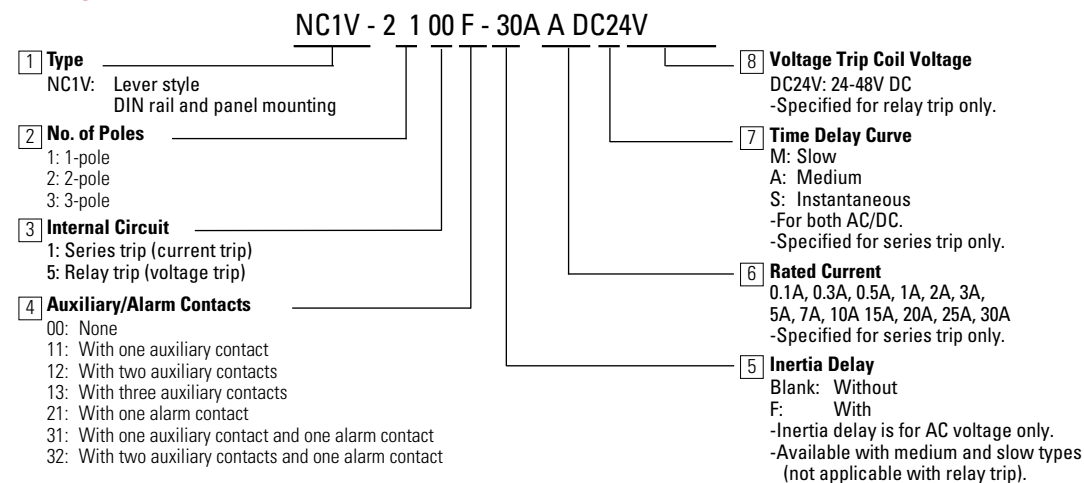
Specifications

<b>Operator Style</b>	Retractable lever		
<b>Internal Circuit</b>	Series trip (current trip), Relay trip (voltage trip)		
<b>Protection Method</b>	Hydraulic magnetic tripping system, Magnetic tripping system (voltage trip)		
<b>No. of Poles</b>	1-pole	2-pole	3-pole
<b>Rated Voltage (AC/DC)</b> <sup>Note 1</sup>	250V AC 50/60Hz, 65V DC	250V AC 50/60Hz, 125V DC	250V AC, 50/60Hz
<b>Series Trip (Current Trip)</b>	<b>Rated Short-circuit Capacity</b>	250V AC, 2500A 65V DC, 2500A	250V AC, 2500A 125V DC, 2500A
	<b>Rated Current</b>	0.1A, 0.3A, 0.5A, 1A, 2A, 3A, 5A, 7A, 10A, 15A, 20A, 25A, 30A	
	<b>Operation Characteristics</b> <sup>Note 2</sup>	Time delay curve curve M (slow), curve A (medium), S (instantaneous) , Curves M and A are also available with inertia delay option.	
<b>Relay Trip (Voltage Trip)</b> <sup>Note 3</sup>	<b>Rated Current</b>	30A	
	<b>Trip Voltage</b>	24 to 48V DC (at 25°C), Voltage application duration 10 sec maximum, tripping time 0.1 sec maximum (at rated voltage)	
<b>Auxiliary Contact/ Alarm Contact</b>	<b>Contact Rating</b>	125V AC 3A (resistive load), 30V DC 2A (resistive load)	
	<b>Minimum Applicable Load</b>	24V DC 1mA (resistive load, reference value)	
<b>Insulation Resistance</b>	100MΩ minimum (500V DC megger)		
<b>Dielectric Strength</b>	2,000V AC, 1 minute (between terminals when main contacts are open, between live parts of different poles, between live and dead parts) 600V AC (between terminals when auxiliary circuits are open)		
<b>Vibration Resistance (with rated current applied)</b>	Damage limits: 147m/s <sup>2</sup> (10 to 55Hz) (1-pole, 2-pole), 78m/s <sup>2</sup> (3-pole) Operating extremes: 98m/s <sup>2</sup> (1-pole, 2-pole), 78m/s <sup>2</sup> (3-pole)		
<b>Shock Resistance (S time delay curve: 80% rated current, A, M time delay curve: 100% rated current)</b>	Damage limits: 490m/s <sup>2</sup> (1-pole, 2-pole), 297m/s <sup>2</sup> (3-pole) Operating extremes: 196m/s <sup>2</sup> (S, A, M types)		
<b>Electrical Life</b>	10,000 cycles minimum (at rated current), 10 operations per minute		
<b>Reference Temperature</b>	40°C		
<b>Operating Temperature</b>	-10 to +60°C (no freezing) Rated current is based on an ambient temperature of 40°C. When the operating temperature exceeds 40°C, derate the rated current by using the factors shown below.		
<b>Operating Humidity</b>	45 to 85% RH (no condensation)		
<b>Terminal Style</b>	<b>Main Circuit Terminal</b>	Spring-up, fingersafe terminal: M4 screw (up to 20A), M5 screw (25A and 30A)	
	<b>Auxiliary/Alarm Contacts, Voltage Coil Terminal</b>	M3.5 screw	
<b>Weight (approx.)</b>	1-pole: 90g, 2-pole: 170g, 3-pole: 260g		

- 3-pole type is for AC voltage only.
- For S (instantaneous) tripping curve, humming sound may occur when used in an AC sinusoidal-wave current circuit around 80% of the rated current, however, the performance of the circuit breaker will not be affected.  
To avoid unnecessary tripping, do not use in circuits where inrush currents may be present.
- Relay trip (voltage trip) type is not equipped with an overcurrent trip function.  
Do not use the NC1V circuit breakers in environments where they are exposed to extreme temperature, humidity, dust, corrosive gases, vibration, shock, or in a circuit where inrush current may be present, otherwise unnecessary operation and damage may occur.

Operating Temp.	Derating Factor
50°C	0.9
55°C	0.8
60°C	0.7

Part Number Configuration



Part Numbers

Internal Circuit	No. of Poles	Inertia Delay	Auxiliary Contact Alarm Contact	Part No.	Code				
					6 Rated Current	7 Time Delay Curve	8 Voltage Trip Coil Voltage		
Series Trip (Current Trip)	1-pole	—	—	NC1V-1100-6 7	0.1A 0.3A 0.5A 1A 2A 3A 5A 7A 10A 15A 20A 25A 30A	M (slow) A (medium) S (instantaneous)	—		
			One Auxiliary Contact	NC1V-1111-6 7					
			One Alarm Contact	NC1V-1121-6 7					
		With	—	NC1V-1100F-6 7					
			One Auxiliary Contact	NC1V-1111F-6 7					
			One Alarm Contact	NC1V-1121F-6 7					
	2-pole	—	—	—				NC1V-2100-6 7	
				One Auxiliary Contact				NC1V-2111-6 7	
				Two Auxiliary Contacts				NC1V-2112-6 7	
				One Alarm Contact				NC1V-2121-6 7	
				One Auxiliary Contact and One Alarm Contact				NC1V-2131-6 7	
				With				—	NC1V-2100F-6 7
		One Auxiliary Contact	NC1V-2111F-6 7						
		Two Auxiliary Contacts	NC1V-2112F-6 7						
		One Alarm Contact	NC1V-2121F-6 7						
		One Auxiliary Contact and One Alarm Contact	NC1V-2131F-6 7						
		3-pole	—					—	—
				One Auxiliary Contact					NC1V-3111-6 7
	Two Auxiliary Contacts			NC1V-3112-6 7					
	Three Auxiliary Contacts			NC1V-3113-6 7					
	One Alarm Contact			NC1V-3121-6 7					
	One Auxiliary Contact and One Alarm Contact			NC1V-3131-6 7					
	With	—	NC1V-3100F-6 7						
		One Auxiliary Contact	NC1V-3111F-6 7						
Two Auxiliary Contacts		NC1V-3112F-6 7							
Three Auxiliary Contacts		NC1V-3113F-6 7							
One Alarm Contact		NC1V-3121F-6 7							
One Auxiliary Contact and One Alarm Contact		NC1V-3131F-6 7							
Relay Trip (Voltage Trip)	1-pole	—	—	NC1V-1500-8	—	—	DC24V		
	2-pole	—	—	NC1V-2500-8					
	3-pole	—	—	NC1V-3500-8					

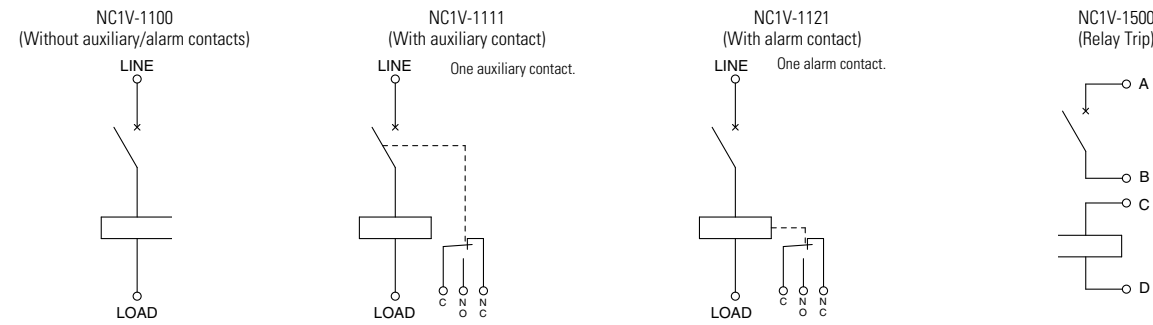
- Specify rated current, time delay curve, or voltage trip coil voltage in place of 6 7 8 when ordering.
- Inertia delay is for an AC circuit. Additionally, time delay curve of S (instantaneous) is not available with inertia delay.
- 8 only applies to voltage trip models.

800.262.4332

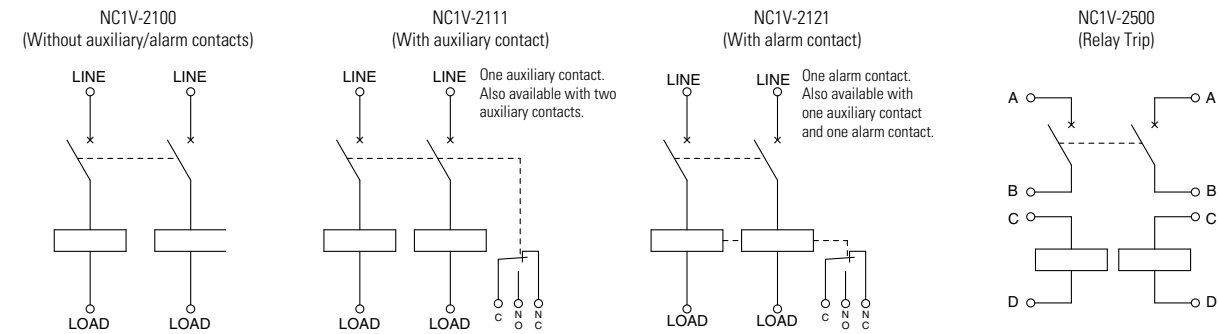
www.IDEC.com/circuitbreaker

## Internal Circuits

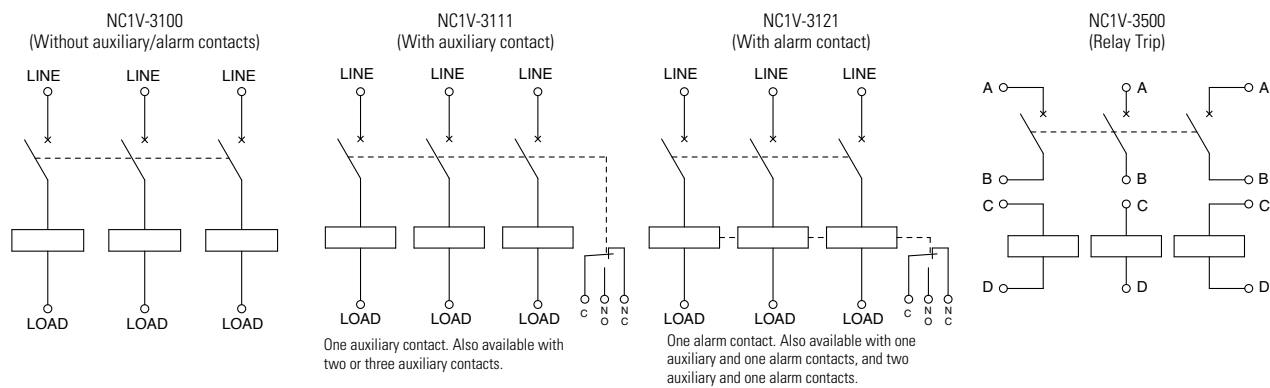
### 1-pole



### 2-pole



### 3-pole

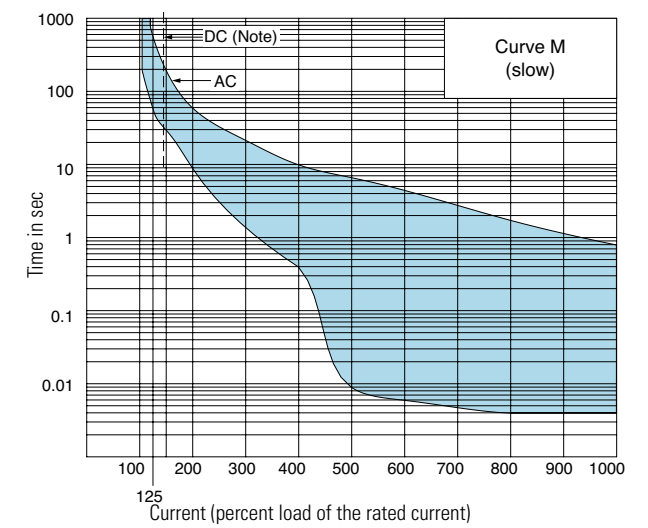
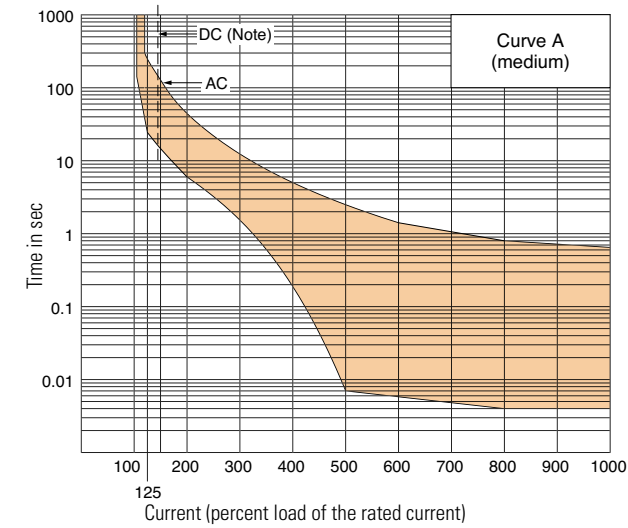


## Overcurrent-Time Delay Characteristics (sec at 40°C) [vertical mounting]

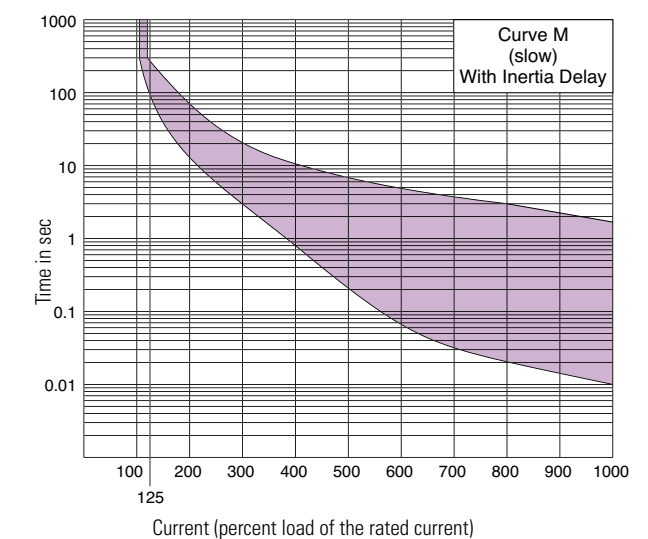
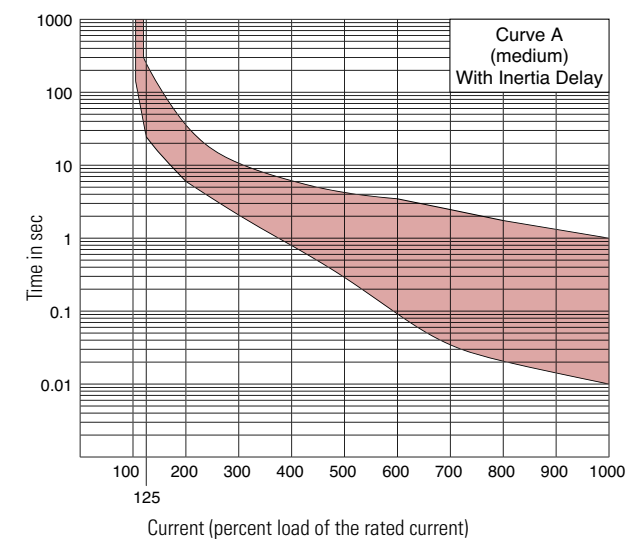
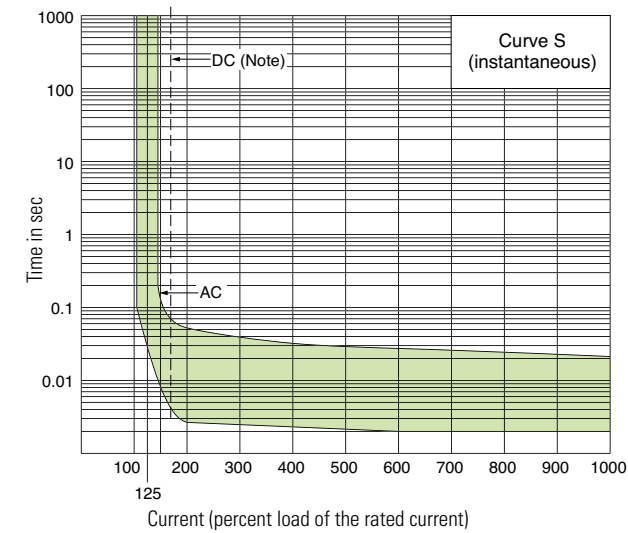
Item	Time Delay Curve	Percent of Rated Current								
		100%	125%	150%	175%	200%	400%	600%	800%	1000%
AC (50/60Hz)/DC	S (instantaneous)	NO TRIP	—	*0.005 to 0.1	0.003 to 0.06	0.0027 to 0.05	0.002 to 0.03	0.002 to 0.028	0.002 to 0.025	0.002 to 0.022
	A (medium)	NO TRIP	*25 to 240	16 to 140	—	6 to 32	0.4 to 4	0.0055 to 1.5	0.004 to 0.8	0.004 to 0.65
	M (slow)	NO TRIP	*60 to 600	30 to 200	—	9 to 60	0.4 to 10	0.006 to 4.5	0.004 to 1.8	0.004 to 0.8
AC (50/60Hz)	With Inertia Delay A (medium)	NO TRIP	25 to 240	—	—	6 to 32	0.8 to 6	0.09 to 3.5	0.02 to 1.8	0.01 to 1.0
	With Inertia Delay M (slow)	NO TRIP	60 to 600	—	—	10 to 60	0.8 to 10	0.06 to 4.5	0.02 to 3	0.01 to 1.75

\*MAY TRIP on DC

## Time Delay Curves at 40°C



Note: The entire shaded area applies to AC.  
 For DC, the shaded area on the right of the dashed line applies.



800.262.4332

www.IDEC.com/circuitbreaker

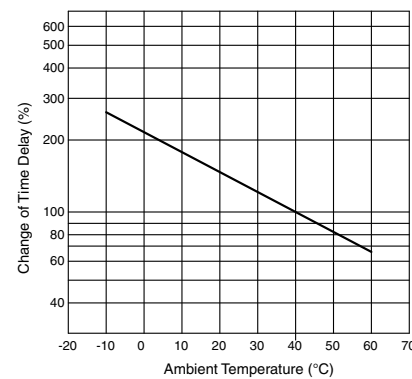


**Time Delay Curve and Ambient Temperature**

NC1V circuit breakers employ an electromagnetic tripping system, where the rated current (trip current) is not affected by ambient temperatures. But, the time delay may vary with the oil viscosity in the oil dash pot. Lower oil viscosity at higher temperatures results in a shorter delay, whereas at lower temperatures, the delay will be longer.

**Temperature Correction Curve**

The time delay curves on the preceding page are measured at 40°C. With reference to the following curves, time delays can be corrected according to ambient temperature.



The time delay is based on an ambient temperature of 40°C. Time delays at other temperatures are corrected according to the temperature correction curve. The time delay of the instantaneous time delay curve (S) is not affected by the ambient temperature.

When operating temperature exceeds 40°C, derate the rated current by multiplying the derating factor shown on the right.

Operating Temp.	Derating Factor
50°C	0.9
55°C	0.8
60°C	0.7

**Impedance and Coil Resistance**

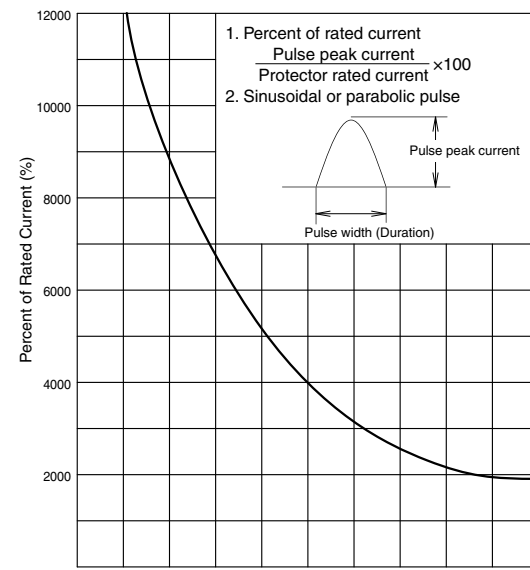
**Series Trip (Current Trip) at 25°C**

Rated Current	For AC 50/60 Hz Impedance (Ω)		For DC Resistance (Ω)	
	Curve S	Curves A, M	Curve S	Curves A, M
0.1A	66.0	116.0	43.0	106.0
0.3A	6.6	11.0	4.1	10.0
0.5A	1.92	3.65	0.86	3.40
1A	0.50	0.93	0.25	0.90
2A	0.16	0.27	0.11	0.25
3A	0.07	0.12	0.050	0.11
5A	0.025	0.050	0.015	0.045
7A	0.014	0.027	0.011	0.025
10A	0.007	0.021	0.005	0.020
15A	0.006	0.010	0.005	0.009
20A	0.005	0.006	0.004	0.005
25A	0.004	0.005	0.004	0.005
30A	0.003	0.004	0.003	0.004

Tolerance: ±25% (up to 20A), ±50% (25A and 30A)

**Inertia Delay**

Inertia delay is designed not to trip on a non-repeating single pulse of 20 times the rated current (peak value) for a duration of 8ms. In addition, circuit breakers equipped with inertia delay do not respond to high inrush currents caused by transformer or lamp loads, but perform the specified interruption on subsequent overcurrents. Inertia delay is available on AC circuits, and is not available with the series trip curve S (instantaneous).



**Relay Trip (Voltage Trip) at 25°C**

Tripping Voltage	For DC Resistance (Ω)
24-48V	100.0

Tolerance: ±25%

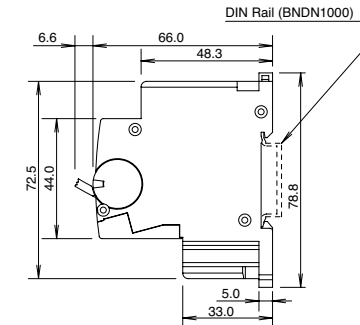
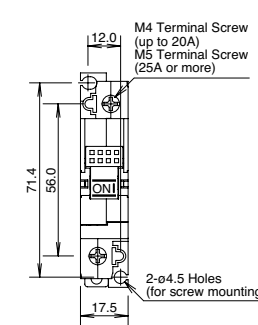
**Voltage Drop Due to Coil Resistance or Impedance**

The internal resistance or impedance of a circuit breaker tends to be larger for a smaller-rated current. Therefore, when circuit breakers with a small rated current are used, voltage drop should be taken into consideration. Internal resistance also varies with time delay curves, which should also be considered during installation.

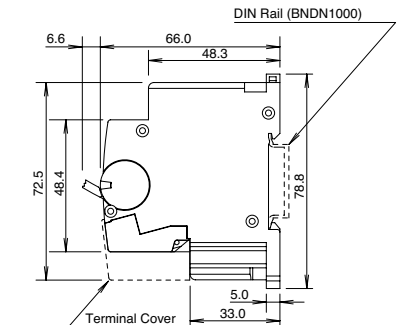
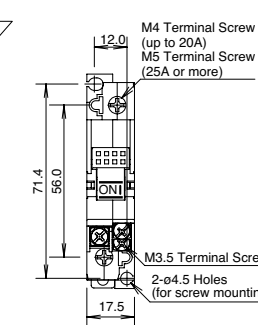
**Dimensions (mm)**

**1-pole**

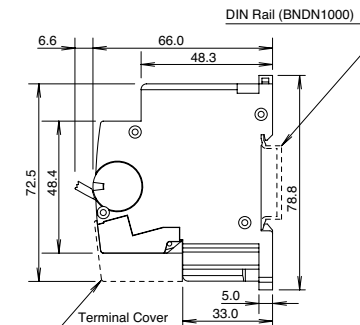
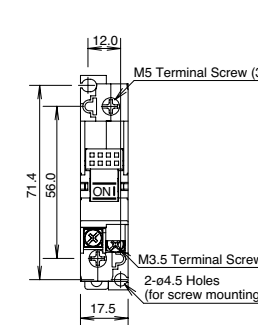
NC1V-1100



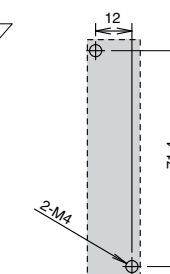
NC1V-1111 (Auxiliary Contact), NC1V-1121 (Alarm Contact)



NC1V-1500 (Relay Trip)

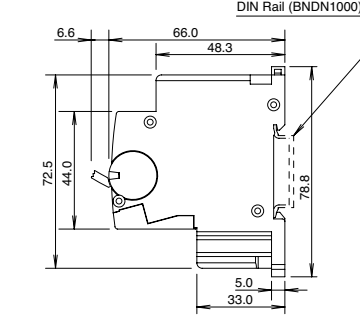
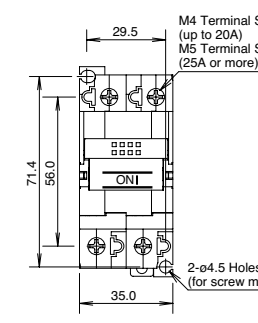


Mounting Hole Layout (M4 Mounting Screws)

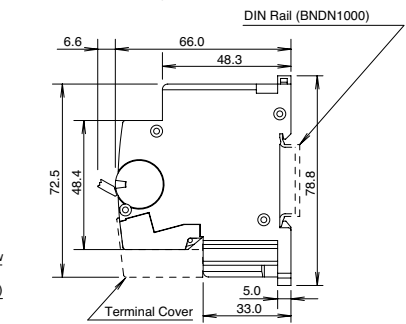
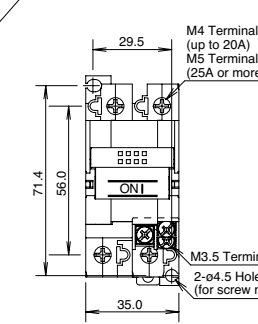


**2 Pole**

NC1V-2100

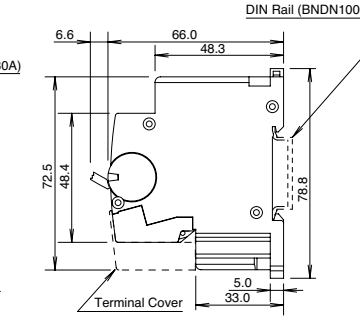
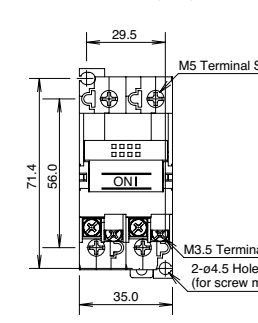


NC1V-2111 (one auxiliary contact), NC1V-2112 (two auxiliary contacts), NC1V-2121 (one alarm contact), NC1V-2131 (one auxiliary and one alarm contact)

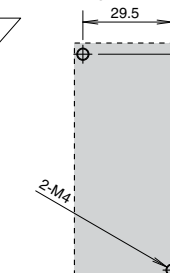


Dimensions shown are for NC1V-2111 and NC1V-2121.

NC1V-2500 (Relay Trip)



Mounting Hole Layout (M4 Mounting Screws)

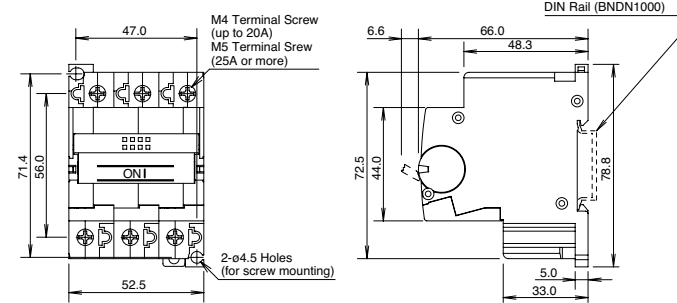


800.262.4332

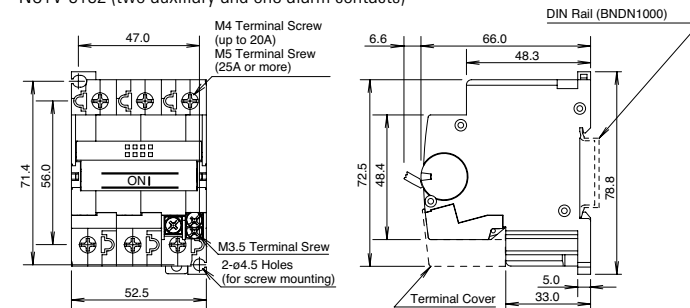
www.IDEC.com/circuitbreaker

3-pole

NC1V-3100

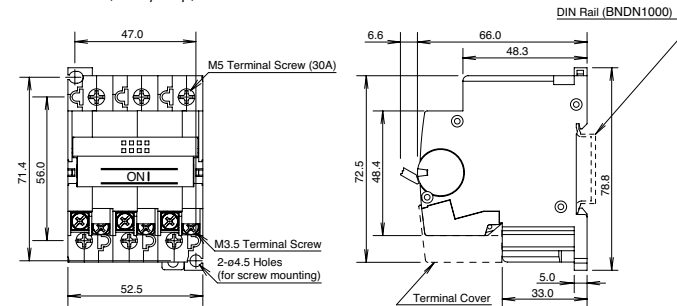


NC1V-3111 (one auxiliary contact), NC1V-3112 (two auxiliary contacts)  
 NC1V-3113 (three auxiliary contacts), NC1V-3121 (one alarm contact)  
 NC1V-3131 (one auxiliary and one alarm contact)  
 NC1V-3132 (two auxiliary and one alarm contacts)

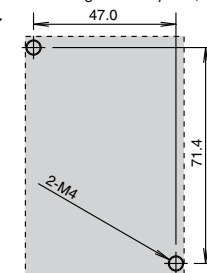


Dimensions shown are for NC1V-3111 and NC1V-3121.

NC1V-3500 (Relay Trip)



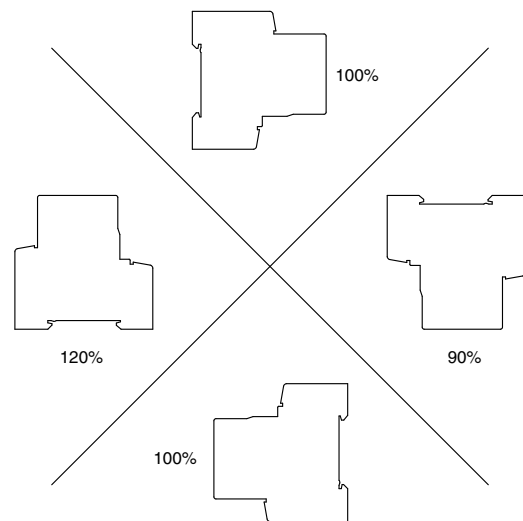
Mounting Hole Layout (M4 Mounting Screws)



Instructions

Installation Angle

Tripping method is hydraulic magnetic. Minimum operating current varies with installation angle. Operating currents are influenced by the weight of movable iron core. With reference to the following figures, correct the rated current.



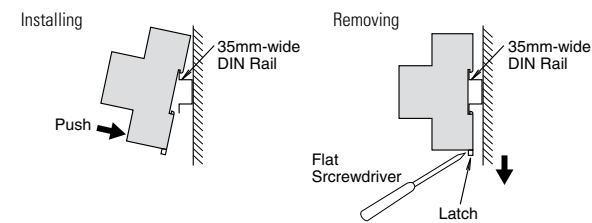
Minimum operating current is calculated from the following formula:  
 (Minimum operating current) = (Rated current) × (Correction factor by installation angle) × (Reference minimum tripping current rate)

DIN Rail Installation

1. Fasten the DIN rail securely.
2. With the latch facing downward, install the NC1V circuit breaker on the DIN rail as shown below.

DIN Rail Removal

Using a flat screwdriver, pull the latch on the circuit breaker to remove from the DIN rail.



800.262.4332

www.IDEC.com/circuitbreaker

Applicable Wire and Crimp Terminals

Terminal	Terminal Screw	Connectable Wire Size (mm <sup>2</sup> )	Applicable Crimping Terminal	Tightening Torque (N·m)
Main Circuit Terminals	Spring-up, fingersafe, slotted Phillips screw with square washer (up to 20A)	0.25 to 1.65	R1.25-4	1 to 1.4
		1.04 to 2.63	R2-4	
		2.63 to 6.64	R5.5-4	
	Spring-up fingersafe terminal (25A and 30A)	0.25 to 1.65	R1.25-5	1.8 to 2.2
		1.04 to 2.63	R2-5	
		2.63 to 6.64	R5.5-5	
Auxiliary Contact Alarm Contact Voltage Coil Terminals	Slotted Phillips screw with square washer	0.25 to 1.65	R1.25-3.5	0.7 to 0.9
		1.04 to 2.63	R2-3.5	

- For wiring the main circuit terminal, use the applicable crimp terminals and tighten to the recommended torque.
- When using the NC1V circuit breaker as CSA-certified product, use with CSA-certified crimp terminal.
- When using the NC1V circuit breaker as UL-listed product, use with UL-listed crimp terminal.

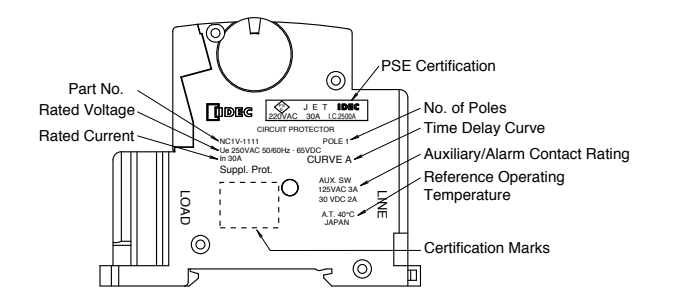
Panel Mounting Screws (not supplied)

Screw Type	Tightening Torque	Shape
M4	0.8 to 1.0 N·m	Spring Washer Plain Washer

Accessories

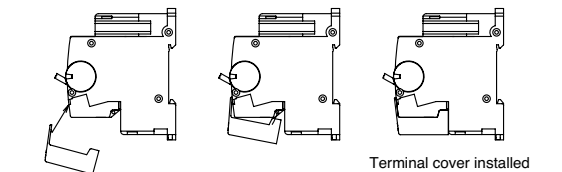
Item	Part No.	Description
	NC9Z-MA11	Panel Cut-Out Mounting bracket for 1-pole model
	NC9Z-MA21	Panel Cut-Out Mounting bracket for 2-pole model
	NC9Z-MA31	Panel Cut-Out Mounting bracket for 3-pole model
	NC9Z-PW1	Marking Plate Holder*
	NC1V-AUX-CV	Auxiliary/Alarm Terminal Cover (Nylon - PA66)

Product Markings (Example: NC1V-1111-30AA)



Installation of Auxiliary/Alarm Terminal Cover

After wiring the terminals, install the terminal cover by aligning with the circuit breaker as shown below.



Item	Part No.	Description
	NC9Z-LK1	Padlock attachment
	NC9Z-TA1	Replacement Wiring Clip when using panel mount brackets

\*Marking plate not supplied.

# PS6R: World's First Expandable Power Supply



## Less cost + less space = more savings! More value!

Replace 3 full-priced, space-consuming power supplies with 1.

## Reduce the amount of space needed for wiring and installation

The addition of a DC-DC converter expansion module will eliminate the need for multiple power supplies or snap on a branch terminal module to replace multiple terminal blocks.

## Flexibility, expandability, versatility

Add DC-DC converter units for up to three separate output voltages (5, 12, or 15V). Or, add a branch terminal module to get two additional + and – slots.

## Energy-saving 93% Efficiency

Save energy and generate less heat in the cabinet, reducing temperature stress on critical components.

## Easy Maintenance - LED Indicator

DC low or ON indicator.

## Technical support:

support@idec.com

## Sales support:

sales@idec.com

800.262.4332

www.IDEC.com/usa

**IDEC** *Think Automation and beyond...*

FSC Placement

www.IDEC.com

### USA

IDEC Corporation  
Tel: (408) 747-0550  
opencontact@IDEC.com

### Canada

IDEC Canada Ltd.  
Tel: (905) 890-8561  
sales@ca.IDEC.com

### Australia

IDEC Australia Pty. Ltd.  
Tel: +61-3-8523-5900  
sales@au.IDEC.com

### Japan

IDEC Corporation  
Tel: +81-6-6398-2527  
marketing@IDEC.co.jp

### Germany

IDEC Elektrotechnik GmbH  
Tel: +49-40-253054-0  
service@IDEC.de

### China

IDEC (Beijing) Corporation  
Tel: +86-10-6581-6131  
IDEC (Shanghai) Corporation  
Tel: +86-21-6135-1515  
idec@cn.IDEC.com

IDEC (Shenzhen) Corporation  
Tel: +86-755-8356-2977

### Hong Kong

IDEC (H.K.) Co., Ltd.  
Tel: +852-2803-8989  
info@hk.IDEC.com

### Singapore

IDEC Asia Pte. Ltd.  
Tel: +65-6746-1155  
info@sg.IDEC.com

### Taiwan

IDEC Taiwan Corporation  
Tel: +886-2-2698-3929  
service@tw.IDEC.com

### Thailand

IDEC Asia (Thailand) Co., Ltd.  
Tel: +662-392-9765  
sales@th.IDEC.com

### United Kingdom

IDEC Electronics Ltd.  
Tel: +44-1256-321000  
sales@uk.IDEC.com

©2014 IDEC Corporation. All Rights Reserved.  
Catalog No. NC9Y-B100-2 08/14 5K

Specifications and other descriptions in this catalog are subject to change without notice.