



Chipsmall Limited consists of a professional team with an average of over 10 year of expertise in the distribution of electronic components. Based in Hongkong, we have already established firm and mutual-benefit business relationships with customers from,Europe,America and south Asia,supplying obsolete and hard-to-find components to meet their specific needs.

With the principle of “Quality Parts,Customers Priority,Honest Operation,and Considerate Service”,our business mainly focus on the distribution of electronic components. Line cards we deal with include Microchip,ALPS,ROHM,Xilinx,Pulse,ON,Everlight and Freescale. Main products comprise IC,Modules,Potentiometer,IC Socket,Relay,Connector.Our parts cover such applications as commercial,industrial, and automotives areas.

We are looking forward to setting up business relationship with you and hope to provide you with the best service and solution. Let us make a better world for our industry!



Contact us

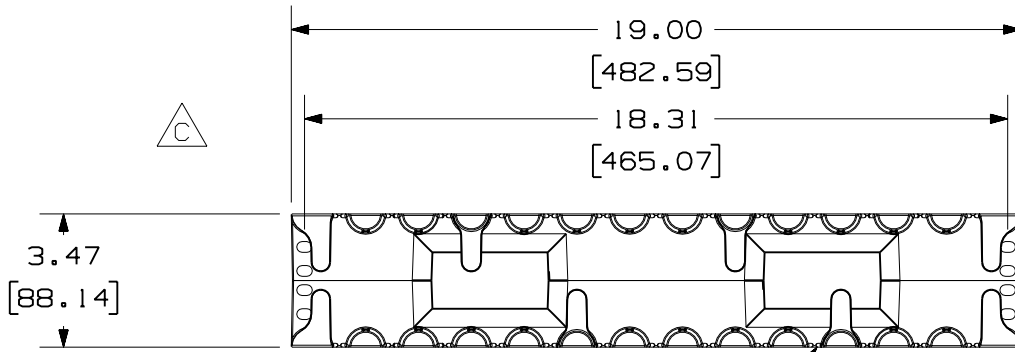
Tel: +86-755-8981 8866 Fax: +86-755-8427 6832

Email & Skype: info@chipsmall.com Web: www.chipsmall.com

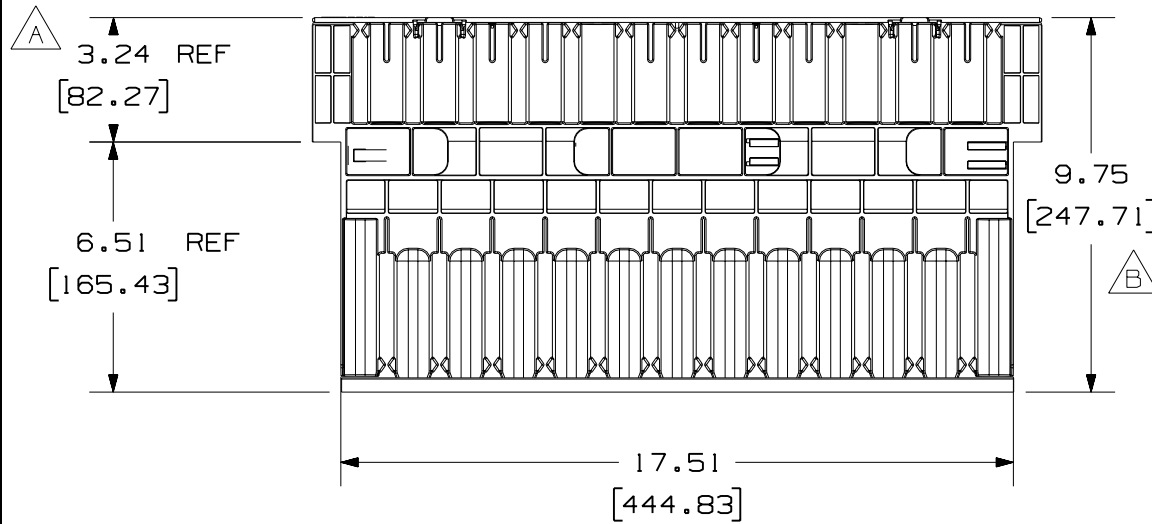
Address: A1208, Overseas Decoration Building, #122 Zhenhua RD., Futian, Shenzhen, China



THIS COPY IS PROVIDED ON A RESTRICTED BASIS AND IS NOT TO BE USED IN ANY WAY DETRIMENTAL TO THE INTERESTS OF PANDUIT CORP.



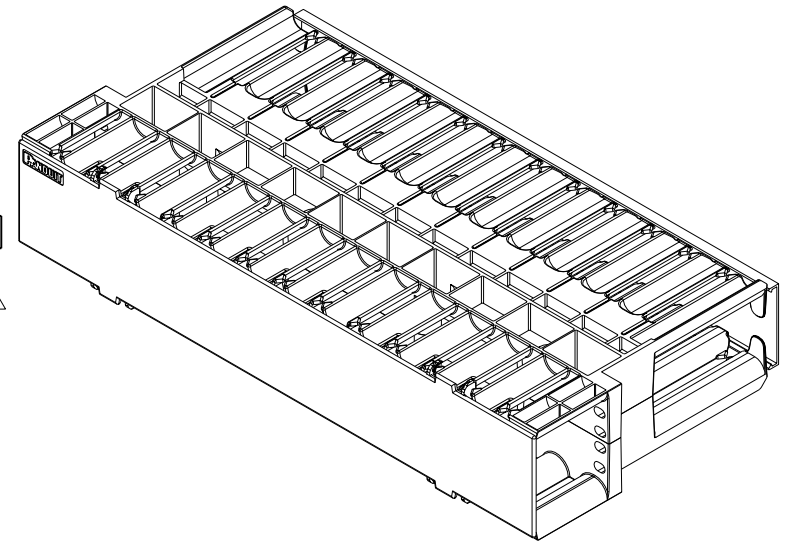
COVER REMOVED FOR CLARITY



PANDUIT P/N	WEIGHT
NCMH2	2.83 LB/EACH (1283.7 g/EACH)

NOTES:

1. THIS CABLE MANAGER IS DESIGNED FOR MOUNTING TO 19" (482) UNIVERSAL RACKS.
2. EACH MANAGER IS SUPPLIED WITH FOUR (4) COMBINATION SLOTTED ROUND HEAD SCREWS 12-24 X 3/4" LONG.
3. DIMENSIONS IN PARENTHESES ARE IN METRIC.



CAD FILENAME/LAYERS M00787BP_DC_00B.PRT

PANDUIT CORP. TINLEY PARK, ILLINOIS
 HORIZONTAL NETWORK CABLE
 MANAGER, 2 RACK UNIT (NCMH2)
 CUSTOMER DRAWING

UNLESS OTHERWISE SPECIFIED,
 DIMENSIONAL TOLERANCES ARE:
 (.X) ± (.XXX) ±.010(.3)
 (.XX) ±.03(.8) ANGLES ±

UNLESS OTHERWISE SPECIFIED,
 ALL DIMENSIONS ARE GIVEN
 IN INCHES, THIRD ANGLE PROJECTION.

DRAWN BY
KLGO
 DATE
10-11-00
 CHECKED BY
MJM

MAT'L:
 MANAGER: PC
 FRONT COVER: PC
 REAR COVER: PVC

SCALE
NONE
 DRAWING NO.
00787-07
 DWG
A
 SIZE

REV	DATE	BY	CHK	DESCRIPTION	ECN	CHK	CUST	SUP
I	2-16-07	MLVO		C. DELETED DIMENSION. B. ADDED DIMENSION. A. ALTERED DIMENSION CONSTRAINTS.	00787-07			
R	10-11-00	KLGO	MJM	RELEASED TO PRODUCTION.	00787-07	MJM	MJM	