



Chipsmall Limited consists of a professional team with an average of over 10 year of expertise in the distribution of electronic components. Based in Hongkong, we have already established firm and mutual-benefit business relationships with customers from,Europe,America and south Asia,supplying obsolete and hard-to-find components to meet their specific needs.

With the principle of “Quality Parts,Customers Priority,Honest Operation,and Considerate Service”,our business mainly focus on the distribution of electronic components. Line cards we deal with include Microchip,ALPS,ROHM,Xilinx,Pulse,ON,Everlight and Freescale. Main products comprise IC,Modules,Potentiometer,IC Socket,Relay,Connector.Our parts cover such applications as commercial,industrial, and automotives areas.

We are looking forward to setting up business relationship with you and hope to provide you with the best service and solution. Let us make a better world for our industry!



Contact us

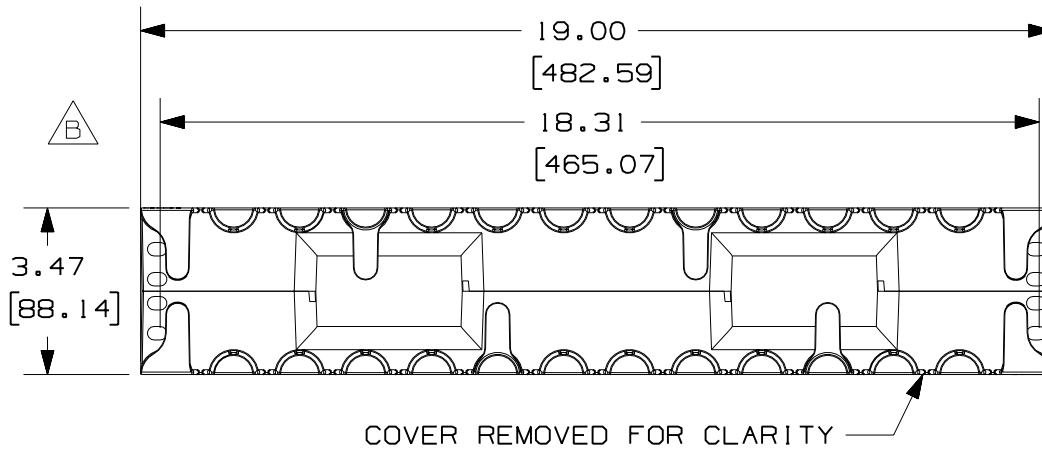
Tel: +86-755-8981 8866 Fax: +86-755-8427 6832

Email & Skype: info@chipsmall.com Web: www.chipsmall.com

Address: A1208, Overseas Decoration Building, #122 Zhenhua RD., Futian, Shenzhen, China



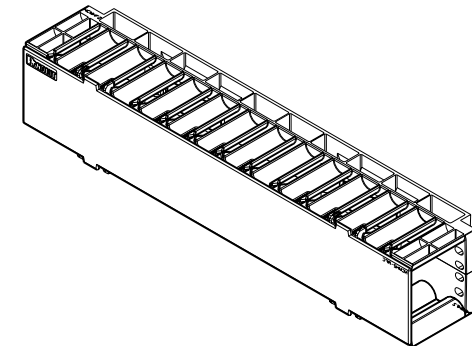
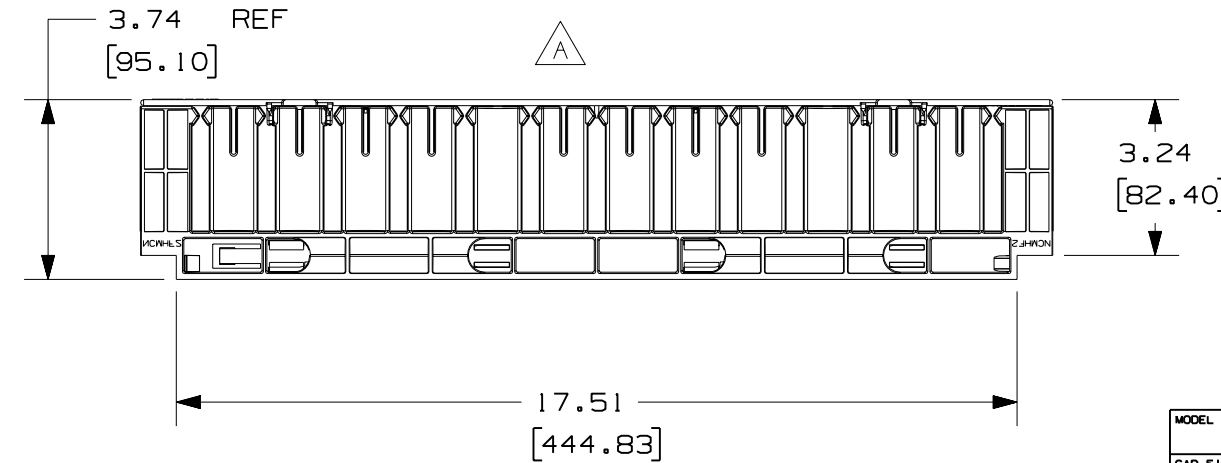
THIS COPY IS PROVIDED ON A RESTRICTED BASIS AND IS NOT TO BE USED IN ANY WAY DETRIMENTAL TO THE INTERESTS OF PANDUIT CORP.



NOTES:

1. SEE CATALOG FOR COMPLETE LIST OF PARTS APPLICABLE FOR USE WITH THIS PRODUCT.
2. COMPONENTS:
 - (1) BASE
 - (1) HINGED COVER (NCMH2-REC)
 - (4) 12-24 X 1" SCREWS
3. DIMENSIONS IN PARENTHESIS ARE IN METRIC.

PANDUIT P/N	WEIGHT
NCMHF2	.84 LB/EACH (381.02g/EACH)



MODEL FILENAME M00787AD_NCMHF2_ASSY_00A.PRT

CAD FILENAME/LAYERS M00787AD_DC_00B.PRT

PANDUIT CORP. TINLEY PARK, ILLINOIS

HORIZONTAL NETWORK CABLE MANAGER
2 RU FRONT (NCMHF2) CUSTOMER DRAWING

UNLESS OTHERWISE SPECIFIED,
DIMENSIONAL TOLERANCES ARE:
(.X) ± .03 (XXX) ± .005
(.XX) ± .01 ANGLES ± 1°

UNLESS OTHERWISE SPECIFIED,
ALL DIMENSIONS ARE GIVEN
IN INCHES, THIRD ANGLE PROJECTION.

DRAWN BY
JDWE

MAT'L:

SCALE 1:4

DATE
7-19-01

SEE NOTES

DRAWING NO. 00787-10

CHK'D
SJA

DWG
A
SIZE

REV	DATE	BY	CHK	DESCRIPTION	ECN	R	CUST	SUP	OTH
I	2-16-07	MLVO		B. ADDED AND ALTERED DIMENSIONS AND DESCRIPTIONS. A. TOP VIEW REPLACED BY BOTTOM VIEW WITH COVER.	00787-10				
R	7-19-01	JDWE	SJA	RELEASE TO PRODUCTION	00787-10		SJA	SJA	