



Chipsmall Limited consists of a professional team with an average of over 10 year of expertise in the distribution of electronic components. Based in Hongkong, we have already established firm and mutual-benefit business relationships with customers from,Europe,America and south Asia,supplying obsolete and hard-to-find components to meet their specific needs.

With the principle of "Quality Parts,Customers Priority,Honest Operation,and Considerate Service",our business mainly focus on the distribution of electronic components. Line cards we deal with include Microchip,ALPS,ROHM,Xilinx,Pulse,ON,Everlight and Freescale. Main products comprise IC,Modules,Potentiometer,IC Socket,Relay,Connector.Our parts cover such applications as commercial,industrial, and automotives areas.

We are looking forward to setting up business relationship with you and hope to provide you with the best service and solution. Let us make a better world for our industry!



Contact us

Tel: +86-755-8981 8866 Fax: +86-755-8427 6832

Email & Skype: info@chipsmall.com Web: www.chipsmall.com

Address: A1208, Overseas Decoration Building, #122 Zhenhua RD., Futian, Shenzhen, China



Product Overview

NCP1851: Smallest 1.6A High Innovation Switching Battery Charger

For complete documentation, see the [data sheet](#)

Product Description

The NCP1851 is a fully programmable single cell Lithium-ion switching battery charger optimized for charging from a USB compliant input supply and AC adaptor power source. The device integrates a synchronous PWM controller, power MOSFETs, and the entire charge cycle monitoring including safety features under software supervision. An optional battery FET can be placed between the system and the battery in order to isolate and supply the system. The NCP1851 junction temperature and battery temperature are monitored during charge cycle, and both current and voltage can be modified accordingly through I2C setting. The charger activity and status are reported through a dedicated pin to the system. The input pin is protected against overvoltages.

Features

- 1.6A buck converter with integrated pass devices
- Input current limiting to comply to USB standard
- 500mA boosted supply for USB OTG peripherals
- Dynamic power path with external battery FET
- High accuracy voltage and current regulation
- Input over voltage protection up to +28V
- Reverse leakage protection prevents battery discharge
- Protected USB Transceiver supply switch
- Factory mode
- Battery temperature sensing for safe operation (JEITA)

Applications

- High Efficiency Charging Line-up

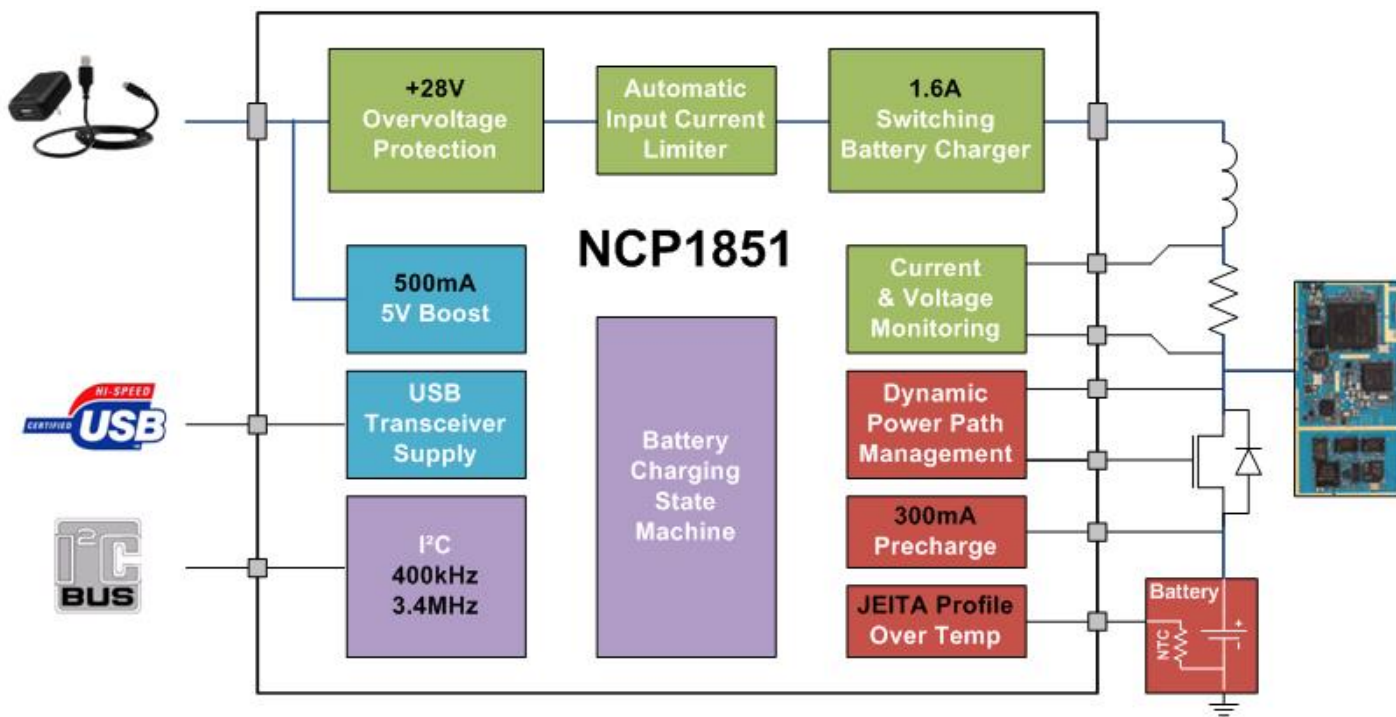
End Products

- Smart Phone
- Handheld Devices
- PDA
- Tablets

Part Electrical Specifications

Product	Compliance	Status	Type	Number of Cells Charged	V _{CC} Min (V)	V _{CC} Max (V)	I _D Max (uA)	Features	Package Type
NCP1851FCCT1G	Pb-free Halide free	NEW	Li-Ion/Polymer	1	3.6	28	5	Max. Charge Current 1.6A	Flip-Chip-25

Application Diagram



For more information please contact your local sales support at www.onsemi.com

Created on: 5/18/2012