



Chipsmall Limited consists of a professional team with an average of over 10 year of expertise in the distribution of electronic components. Based in Hongkong, we have already established firm and mutual-benefit business relationships with customers from,Europe,America and south Asia,supplying obsolete and hard-to-find components to meet their specific needs.

With the principle of “Quality Parts,Customers Priority,Honest Operation,and Considerate Service”,our business mainly focus on the distribution of electronic components. Line cards we deal with include Microchip,ALPS,ROHM,Xilinx,Pulse,ON,Everlight and Freescale. Main products comprise IC,Modules,Potentiometer,IC Socket,Relay,Connector.Our parts cover such applications as commercial,industrial, and automotives areas.

We are looking forward to setting up business relationship with you and hope to provide you with the best service and solution. Let us make a better world for our industry!



Contact us

Tel: +86-755-8981 8866 Fax: +86-755-8427 6832

Email & Skype: info@chipsmall.com Web: www.chipsmall.com

Address: A1208, Overseas Decoration Building, #122 Zhenhua RD., Futian, Shenzhen, China



NCP2811BMTTXGEVB

NCP2811BMTTX Evaluation Board User's Manual



ON Semiconductor®

<http://onsemi.com>

EVAL BOARD USER'S MANUAL

Description

NCP2811 is a dual audio power amplifier designed for portable communication device applications such as mobile phones. This board showcases the B version of this part in the WQFN12 package. This part is capable of delivering 27 mW of continuous average power into a 16 Ω load from a 2.7 V power supply with a THD+N of 1%.

Based on the power supply delivered to the device, an internal power management block generates a symmetrical positive and negative voltage. Thus, the internal amplifiers provide outputs referenced to Ground. In this True Ground configuration, the two external heavy coupling capacitors can be removed. It offers significant space and cost savings compared to a typical stereo application.

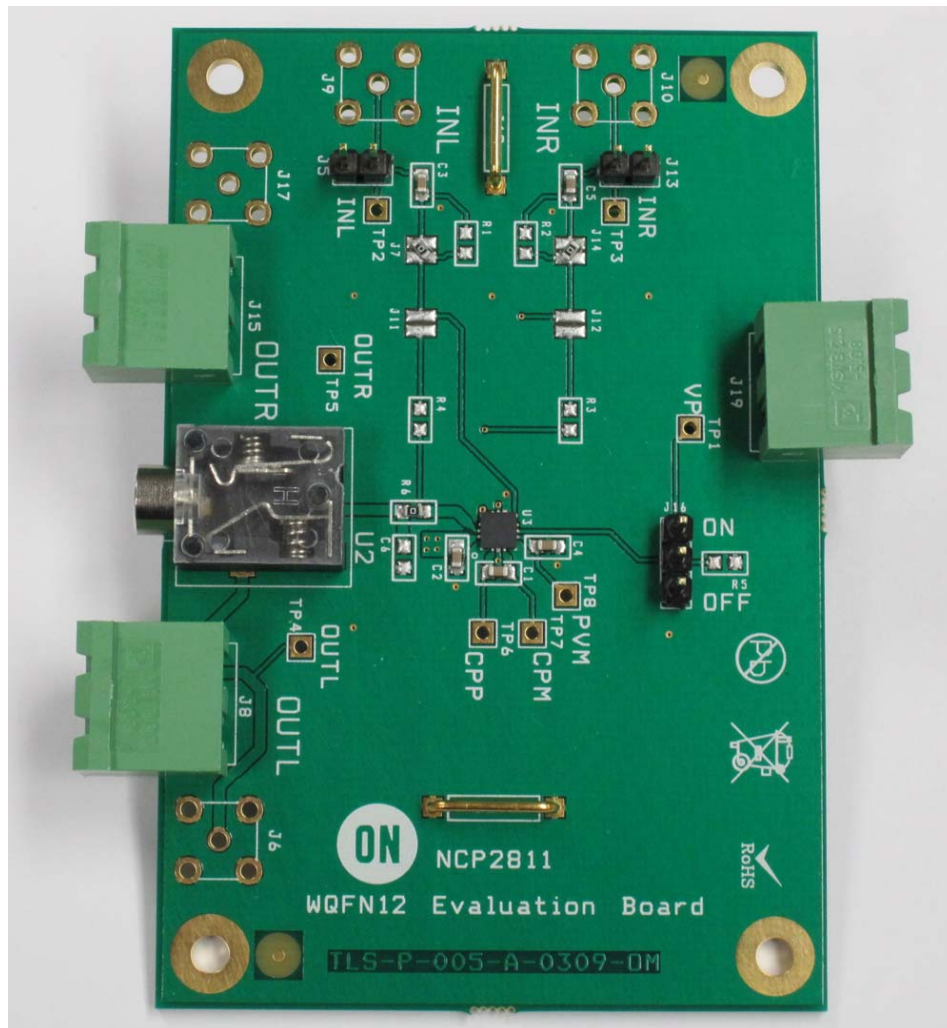


Figure 1. NCP2811BMTTXGEVB Board Picture

NCP2811BMTTXGEVB

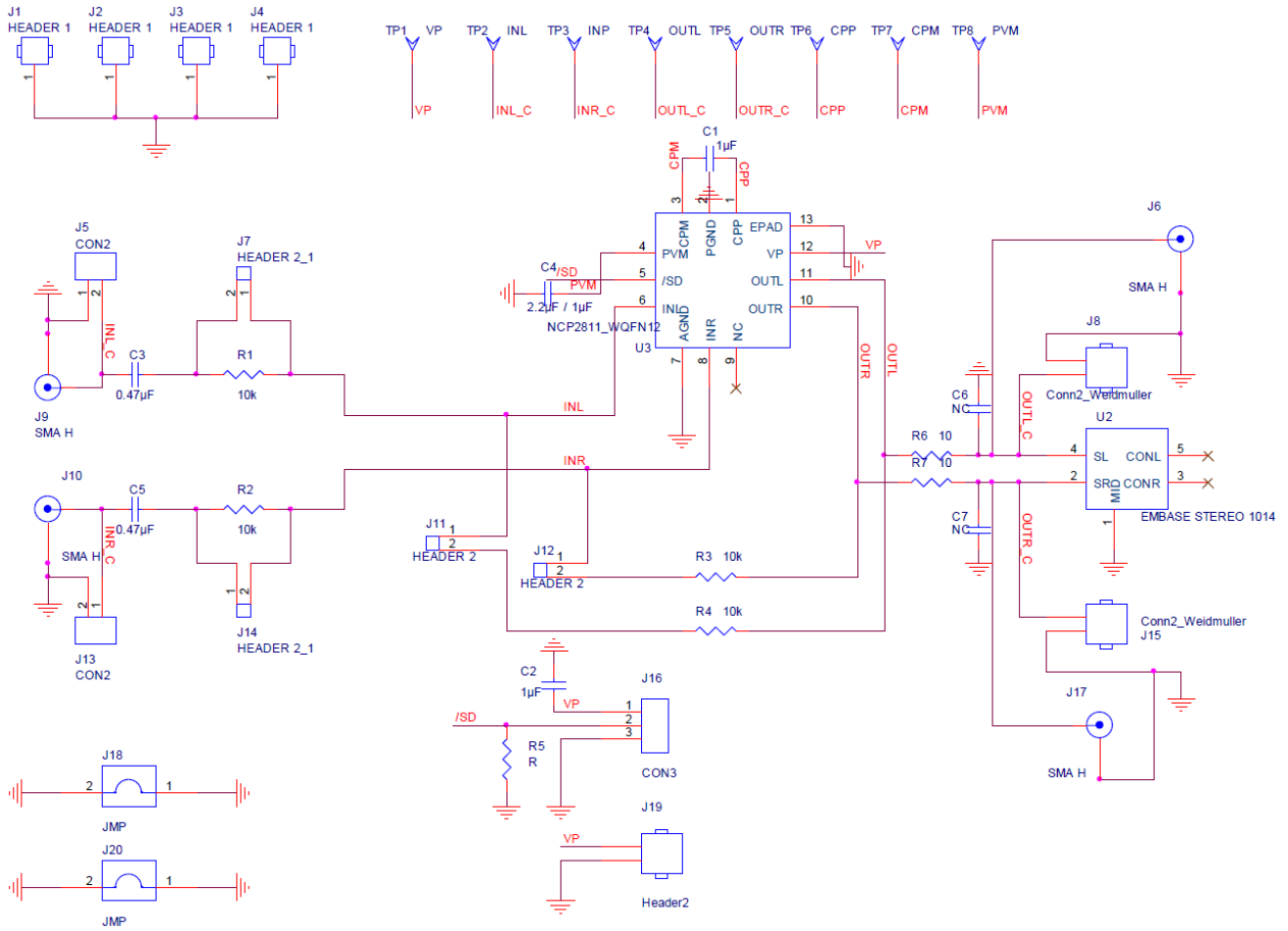


Figure 2. NCP2811BMTTXGEVB Board Schematic

NCP2811BMTTXGEVB

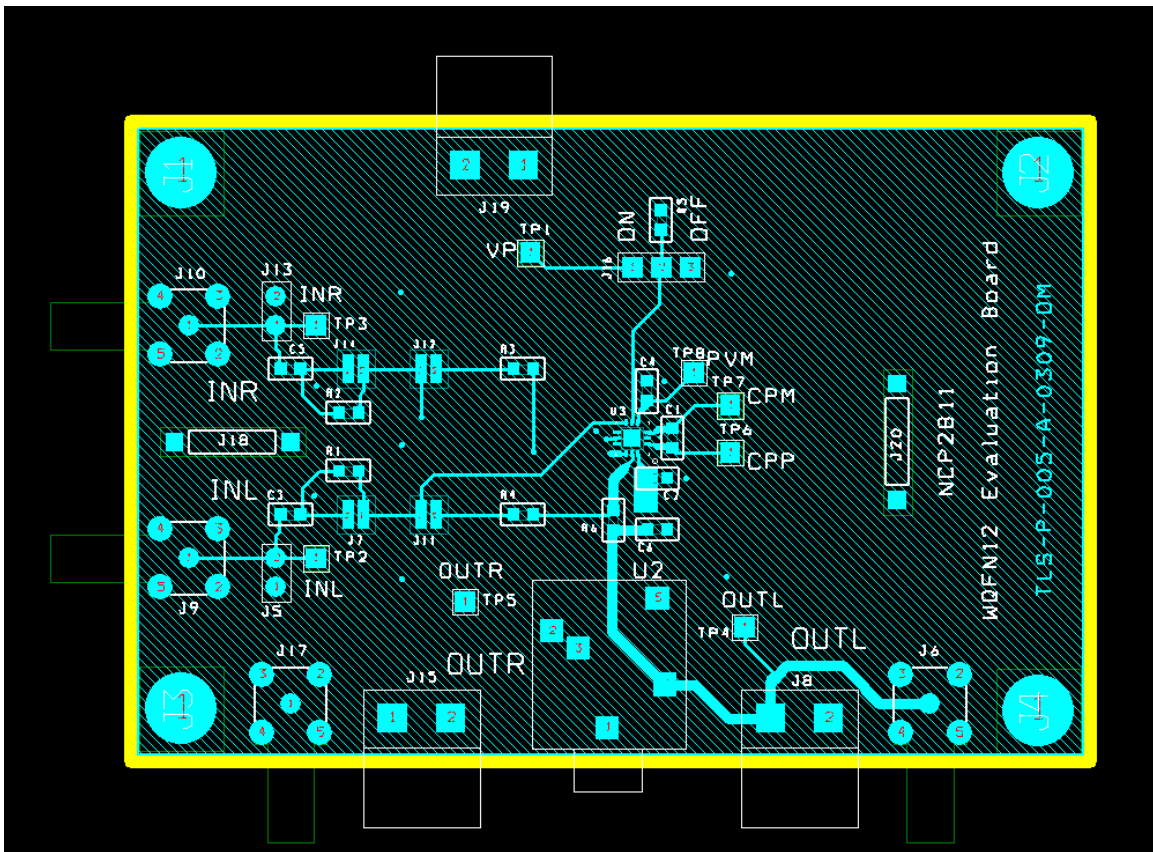


Figure 3. NCP2811BMTTXGEVB Board Layout (Top View)

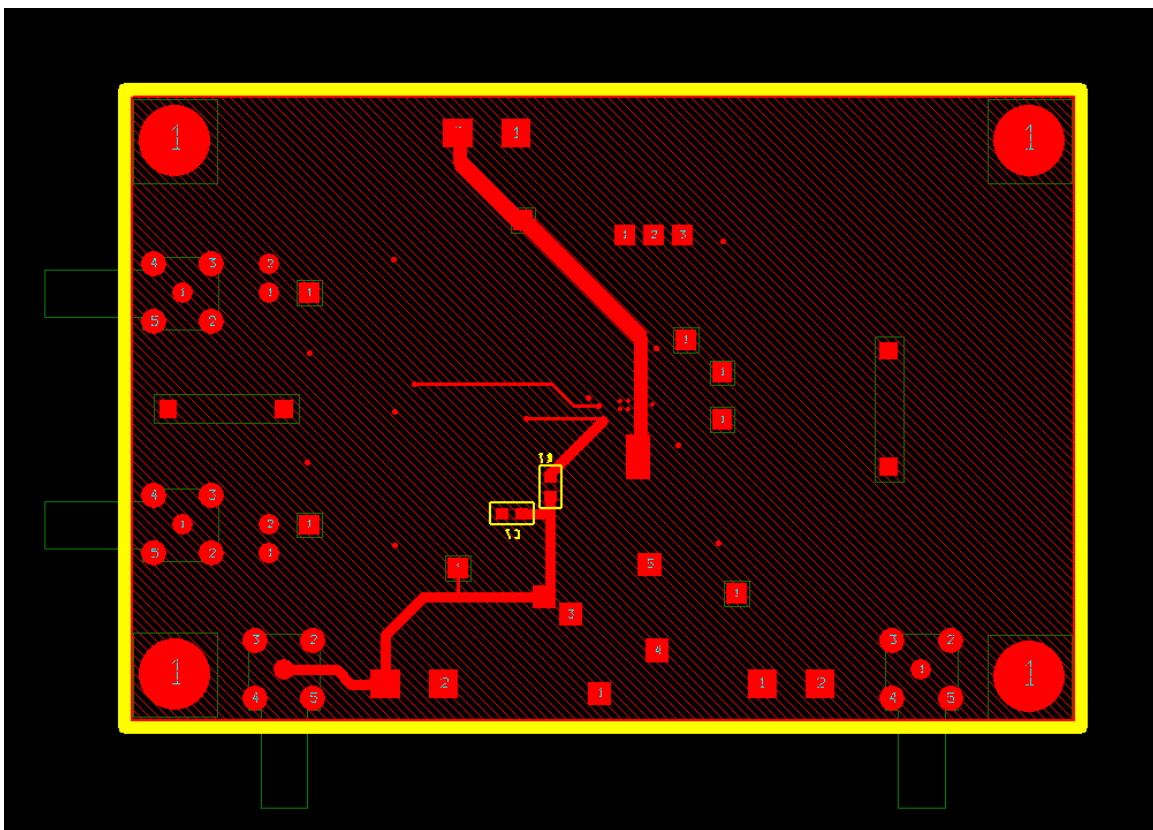


Figure 4. NCP2811BMTTXGEVB Board Layout (Bottom View)

NCP2811BMTTXGEVB

Table 1. BILL OF MATERIALS

Item	Part Description	Ref.	PCB Footprint	Manufacturer	Manufacturer Reference
1	NCP2811 Audio Amplifier			ON Semiconductor	NCP2811
2	SMD Resistor 10K Ω	R1, R2, R3, R4	0603	Panasonic	ERJ-3GEY103V
3	Ceramic Capacitor 1 μ F 6.3 V X5R	C1, C2, C3, C4, C5	0603	Murata	GRM185R60J105KA01
4	Stereo Connector	U2		CUI Inc.	SJ1-3515N
5	Jumper Header Vertical Mount, 2 positions, 100mils	J16	100 mils	Tyco Electronics / AMP	5-826629-0
6	I/O Connector, 2 positions	J8, J19, J15	200 mils	Phoenix Contact	1757242
7	Jumper Connector	J18, J20	400 mils	Harwin	D3082-B01
8	Not Mounted	R5, J9, J10, J6, J17, C6, C7			
9	Shorted	R6, R7	0603		

NCP2811A OR NCP2811B CONFIGURATION

V.1 NCP2811A

Connect J11, J12. Put 10kohms on R1, R2, R3, R4. Disconnect J7, J14.

V.1 NCP2811B

Connect J7, J14. Disconnect J11, J12, R1, R2, R3, R4.

NCP2811 TEST PROCEDURE


Output Power:

1. Set $V_p = 3.6$ V to power supply connector (J16).
2. Set an 16 Ω load (resistance) on the output connectors (J8 and J17).
3. With the function generator, set a single ended signal at 1 kHz and 0.5 Vrms input signal on the left and right inputs. Apply this signal J5 and J13 connectors.
 - a. On the NCP2811A, as $R1 = R2 = R3 = R4 = 10k$, OUTL_C and OUTR_C will see 0.5 Vrms. Place an oscilloscope probe on each output. You should get 0.5 Vrms output signal with a “perfect sine wave”. That is to say no clipping at the minima and maxima of the sine wave.
 - b. On the NCP2811B, the gain is internally set to -1.5 V/V, OUTL_C and OUTR_C will see 0.75 Vrms. Place an oscilloscope probe on each output. You should get 0.75 Vrms output signal with a “perfect sine wave”. That is to say no clipping at the minima and maxima of the sine wave.

Quiescent Current:

Check the quiescent current. Place an 16 Ω load on each output (J8, J17); no input signal. V_p set to 3.6 V and J6 closed. You should measure around 6 mA.

NCP2811BMTTXGEVB

ON Semiconductor and  are registered trademarks of Semiconductor Components Industries, LLC (SCILLC). SCILLC reserves the right to make changes without further notice to any products herein. SCILLC makes no warranty, representation or guarantee regarding the suitability of its products for any particular purpose, nor does SCILLC assume any liability arising out of the application or use of any product or circuit, and specifically disclaims any and all liability, including without limitation special, consequential or incidental damages. "Typical" parameters which may be provided in SCILLC data sheets and/or specifications can and do vary in different applications and actual performance may vary over time. All operating parameters, including "Typicals" must be validated for each customer application by customer's technical experts. SCILLC does not convey any license under its patent rights nor the rights of others. SCILLC products are not designed, intended, or authorized for use as components in systems intended for surgical implant into the body, or other applications intended to support or sustain life, or for any other application in which the failure of the SCILLC product could create a situation where personal injury or death may occur. Should Buyer purchase or use SCILLC products for any such unintended or unauthorized application, Buyer shall indemnify and hold SCILLC and its officers, employees, subsidiaries, affiliates, and distributors harmless against all claims, costs, damages, and expenses, and reasonable attorney fees arising out of, directly or indirectly, any claim of personal injury or death associated with such unintended or unauthorized use, even if such claim alleges that SCILLC was negligent regarding the design or manufacture of the part. SCILLC is an Equal Opportunity/Affirmative Action Employer. This literature is subject to all applicable copyright laws and is not for resale in any manner.

PUBLICATION ORDERING INFORMATION

LITERATURE FULFILLMENT:

Literature Distribution Center for ON Semiconductor
P.O. Box 5163, Denver, Colorado 80217 USA
Phone: 303-675-2175 or 800-344-3860 Toll Free USA/Canada
Fax: 303-675-2176 or 800-344-3867 Toll Free USA/Canada
Email: orderlit@onsemi.com

N. American Technical Support: 800-282-9855 Toll Free
USA/Canada
Europe, Middle East and Africa Technical Support:
Phone: 421 33 790 2910
Japan Customer Focus Center
Phone: 81-3-5773-3850

ON Semiconductor Website: www.onsemi.com

Order Literature: <http://www.onsemi.com/orderlit>

For additional information, please contact your local
Sales Representative