



Chipsmall Limited consists of a professional team with an average of over 10 year of expertise in the distribution of electronic components. Based in Hongkong, we have already established firm and mutual-benefit business relationships with customers from,Europe,America and south Asia,supplying obsolete and hard-to-find components to meet their specific needs.

With the principle of "Quality Parts,Customers Priority,Honest Operation,and Considerate Service",our business mainly focus on the distribution of electronic components. Line cards we deal with include Microchip,ALPS,ROHM,Xilinx,Pulse,ON,Everlight and Freescale. Main products comprise IC,Modules,Potentiometer,IC Socket,Relay,Connector.Our parts cover such applications as commercial,industrial, and automotives areas.

We are looking forward to setting up business relationship with you and hope to provide you with the best service and solution. Let us make a better world for our industry!



Contact us

Tel: +86-755-8981 8866 Fax: +86-755-8427 6832

Email & Skype: info@chipsmall.com Web: www.chipsmall.com

Address: A1208, Overseas Decoration Building, #122 Zhenhua RD., Futian, Shenzhen, China



Product Overview

NCP6924: 6 Channels Power Management IC (PMIC) with 2 DC-DC Converters and 4 LDOs

For complete documentation, see the data sheet



The NCP6924 is part of the ON Semiconductor mini-power management IC family. It is optimized to supply battery powered portable application subsystems such as camera modules, microprocessors or any peripherals. This device integrates two high efficiency 1000 mA step-down DC to DC converters with DVS (Dynamic Voltage Scaling) and four low dropout (LDO) voltage regulators in WLCSP-30 2.46 x 2.06mm package.

Features

- Very small package 2.46 x 2.06 mm
- Ultra low quiescent current (105 uA typ)
- I²C accessible prior enabling device allowing to change settings before powering up the system
- Two DC-DC converters, efficiency 95%, programmable output voltage from 0.6 V to 3.3 V by 12.5 mV steps, 1000 mA output current capability
- Four low noise, low dropout regulators, programmable output voltage from 1.0 V to 3.3 V by 50 mV steps, 2 x 150 mA and 2 x 300mA output current capability, 50 uVrms typical low output noise

Benefits

- Reduce PCB space
- Save battery life
- Offer design flexibility

Applications

- Battery powered applications power management
- Power supply for processors with low core voltage
- Camera modules
- Peripheral sub-systems
- USB powered devices

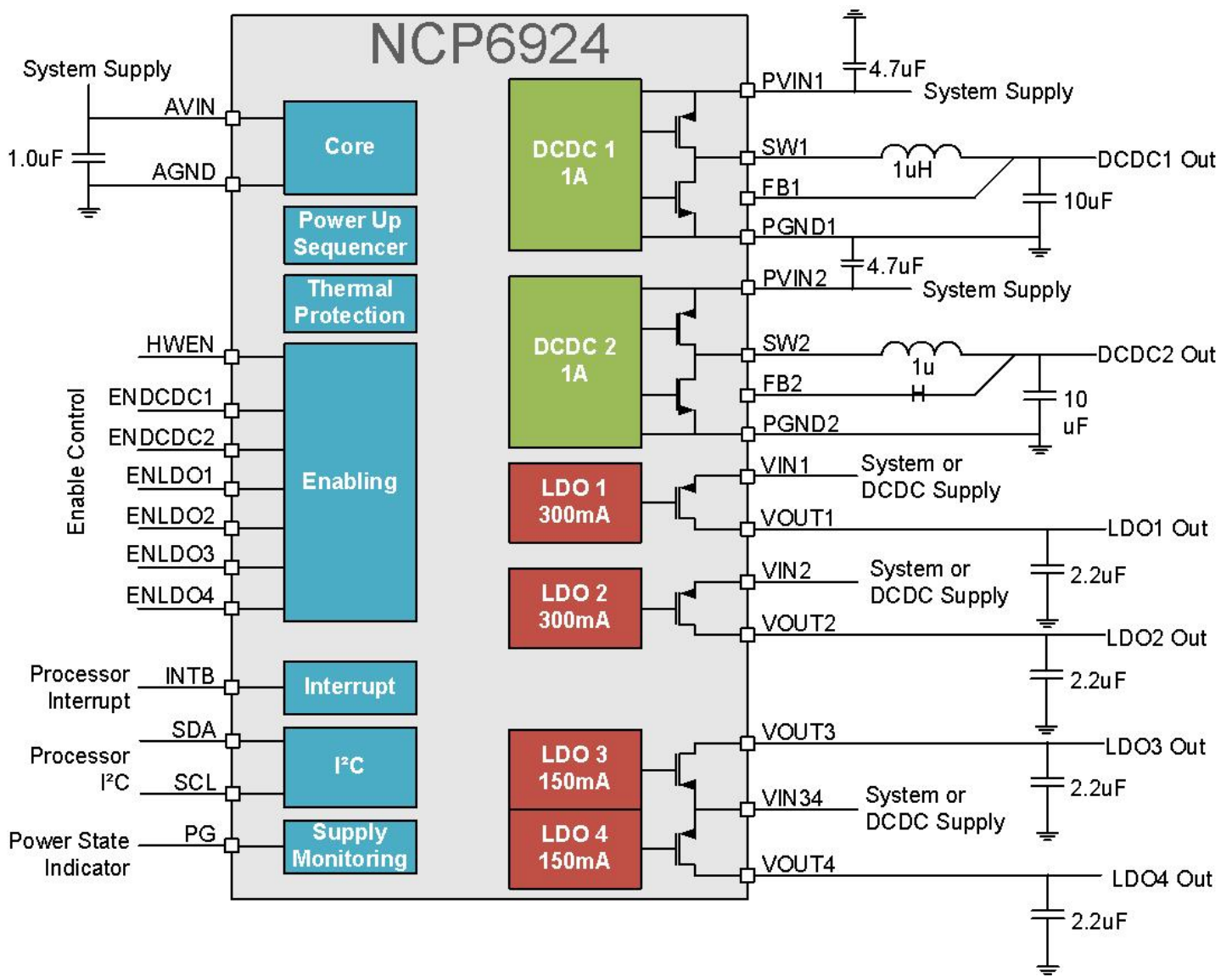
End Products

- Smartphones
- Tablets
- Wearable devices
- MP3 players

Part Electrical Specifications

| Product | Compliance | Status | Topology | Control Mode | V _{CC} Min (V) | V _{CC} Max (V) | V _O Typ (V) | I _O Typ (A) | Efficiency (%) | f _{sw} Typ (kHz) | Package Type |
|----------------|------------------------|--------|-----------|--------------|-------------------------|-------------------------|------------------------|------------------------|----------------|---------------------------|--------------|
| NCP6924AFCET1G | Pb-free Halide free | Active | Step-Down | Voltage Mode | 2.3 | 5.5 | 1.2 | 0.8 | 95 | 3000 | WLCSP-30 |
| NCP6924AFCHT1G | Pb-free Halide free | Active | Step-Down | Voltage Mode | 2.3 | 5.5 | 1.2 | 0.8 | 95 | 3000 | WLCSP-30 |
| NCP6924BFCHT1G | Pb-free Halide free | Active | Step-Down | Voltage Mode | 2.3 | 5.5 | 1.2 | 0.8 | 95 | 3000 | WLCSP-30 |
| NCP6924CFCHT1G | Pb-free Halide free | Active | Step-Down | Voltage Mode | 2.3 | 5.5 | 1.8 | 1 | 95 | 3000 | WLCSP-30 |
| NCP6924FFCHT1G | Pb-free Halide free | Active | Step-Down | Voltage Mode | 2.3 | 5.5 | 1.8 | 0.85 | 95 | 3000 | WLCSP-30 |

Application Diagram



For more information please contact your local sales support at www.onsemi.com

Created on: 4/30/2017