



Chipsmall Limited consists of a professional team with an average of over 10 year of expertise in the distribution of electronic components. Based in Hongkong, we have already established firm and mutual-benefit business relationships with customers from,Europe,America and south Asia,supplying obsolete and hard-to-find components to meet their specific needs.

With the principle of “Quality Parts,Customers Priority,Honest Operation,and Considerate Service”,our business mainly focus on the distribution of electronic components. Line cards we deal with include Microchip,ALPS,ROHM,Xilinx,Pulse,ON,Everlight and Freescale. Main products comprise IC,Modules,Potentiometer,IC Socket,Relay,Connector.Our parts cover such applications as commercial,industrial, and automotives areas.

We are looking forward to setting up business relationship with you and hope to provide you with the best service and solution. Let us make a better world for our industry!



Contact us

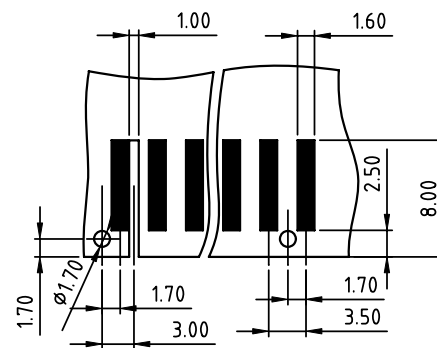
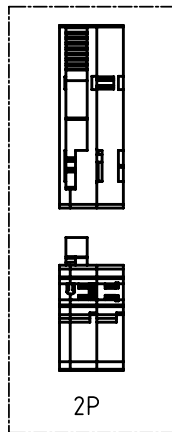
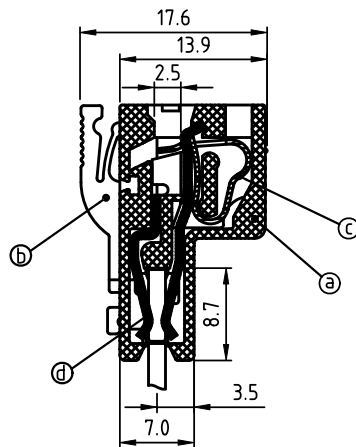
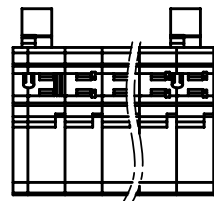
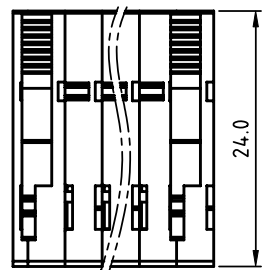
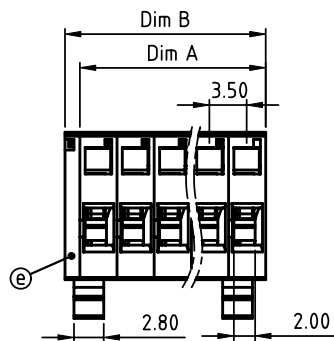
Tel: +86-755-8981 8866 Fax: +86-755-8427 6832

Email & Skype: info@chipsmall.com Web: www.chipsmall.com

Address: A1208, Overseas Decoration Building, #122 Zhenhua RD., Futian, Shenzhen, China



PRODUCT NUMBER	PITCH
NDxx10x000J0G	3.50 mm



RECOMMENDED P.C.B LAYOUT
TOP VIEW

Material:

- Item A Insulator (Body): Thermoplastic (UL94V-0)
- Item B Insulator (Lever): Thermoplastic (UL94V-0) Orange (RAL2001/P)
- Item C Spring clamp: Stainless Steel
- Item D Female Contact: PhBz(CuSn), Tin plated
- Item E Insulator (Cover): Thermoplastic (UL94V-0)

Electrical cULus

- Voltage rating: 300VAC
- Current rating: 8A
- Solid wire(AWG): 16-26
- Stranded wire(AWG): 16-26
- Wire strip length: 7-8mm
- Withstanding Voltage: 1.6KV
- Size of the PCB: 1.6±0.2mm
- Operating temperature: -40°C to +115°C

Dim A=N×3.5
Dim B=N×3.5+1.4

N=Number of poles

POLES	Tolerance
2p-6p	±0.15
7p-12p	±0.20
13p-18p	±0.30
19p-24p	±0.35

PART NO.: ND xx 1 0 x 0 00J0 G

End stackable	No. of poles	Color	RoHS compliant (lead<4%) In copper Alloy
0	2	Black (RAL9005)	
2	2	Red (RAL3001/D)	
02	2	Orange(RAL2011/P)	
03	3	Yellow(RAL1018/A)	
...	...	5 Green(RAL6018/T)	
24	24	6 Blue (RAL5015/A)	
		8 Grey(RAL7035/D)	
		9 White(RAL1102)	
		C Green(RAL6018/U)	

mat'l. code		surface ASME Y14.5	tolerance ASME Y14.5	projection	product family TERMINAL BLOCK
ltr	ecn no	dr	date	 MM	title TERMINAL BLOCK SPRING CLAMP,PCB CONNECTOR,PLUGGABLE PLUG
tolerances unless otherwise specified					
angles		X.±0.5		scale	dwg no NDxx10x000J0G
X°±1'		X.XX±0.1			
dr		EVIN ZHONG	052014		sheet 1 of 1
enr		EVIN ZHONG	052014		size A4
chr		HANKE FENG	052014		type CUSTOMER Drawing
appd		SHI JUN	052014		
sheet index	revision sheet	A	1		