



Chipsmall Limited consists of a professional team with an average of over 10 year of expertise in the distribution of electronic components. Based in Hongkong, we have already established firm and mutual-benefit business relationships with customers from,Europe,America and south Asia,supplying obsolete and hard-to-find components to meet their specific needs.

With the principle of "Quality Parts,Customers Priority,Honest Operation,and Considerate Service",our business mainly focus on the distribution of electronic components. Line cards we deal with include Microchip,ALPS,ROHM,Xilinx,Pulse,ON,Everlight and Freescale. Main products comprise IC,Modules,Potentiometer,IC Socket,Relay,Connector.Our parts cover such applications as commercial,industrial, and automotives areas.

We are looking forward to setting up business relationship with you and hope to provide you with the best service and solution. Let us make a better world for our industry!



Contact us

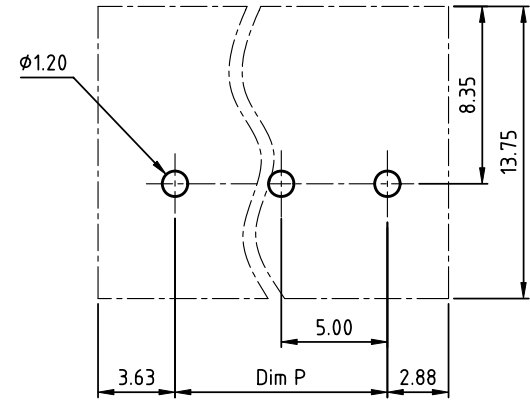
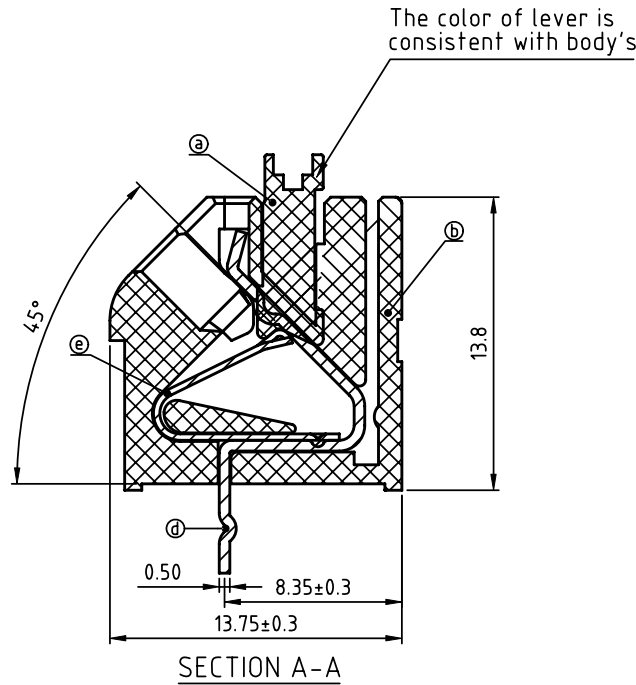
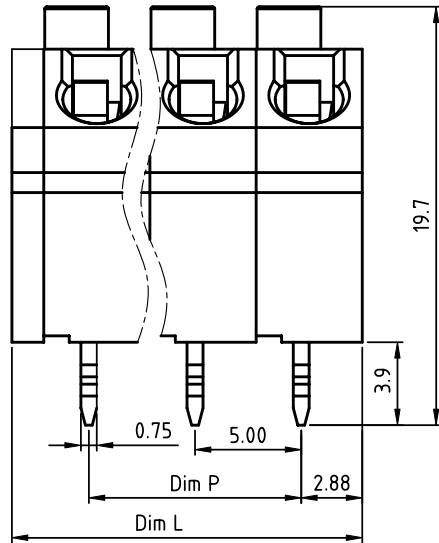
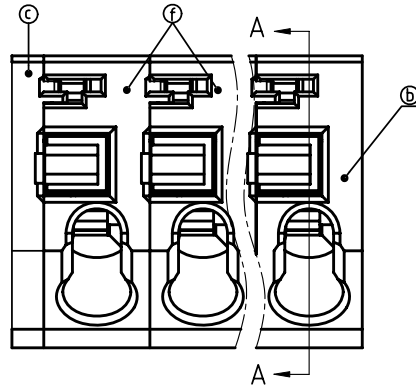
Tel: +86-755-8981 8866 Fax: +86-755-8427 6832

Email & Skype: info@chipsmall.com Web: www.chipsmall.com

Address: A1208, Overseas Decoration Building, #122 Zhenhua RD., Futian, Shenzhen, China



PRODUCT NUMBER	PITCH
NExx00x000JOG	5.00mm



RECOMMENDED P.C.B LAYOUT
TOP VIEW

Material:

- Item ① Terminal lever: Thermoplastic (UL94 V-0)
- Item ② Terminal side housing: Thermoplastic (UL94 V-0)
- Item ③ Terminal cover: Thermoplastic (UL94 V-0)
- Item ④ Solder pin: Brass Tin plated
- Item ⑤ Spring clamp: Stainless steel
- Item ⑥ Terminal middle housing: Thermoplastic (UL94 V-0)

Electrical cULus

- Voltage rating: 300V
- Current rating: 10A
- Solid wire (AWG): 16-20
- Wire strip length: 7-8mm
- Withstanding Voltage: 1.6KV
- Operating temperature: -40°C to +115°C
- Soldering temperature: 260°C ± 5°C / 5 Sec
- Safety Approval:

N=Number of poles
Dim L=Nx5.0+1.5
Dim P=(N-1)x5.0

Poles	Dim L	Dim P
1p	±0.10	
2-6p	±0.15	±0.15
7-12p	±0.25	±0.25
13-18p	±0.30	±0.30
19-24p	±0.40	±0.40

PART NO.: NE xx 00 x 000JOG

No. of poles	Color	RoHS compliant
0	Black (RAL9005)	(lead<4%) In copper Alloy
End Stackable	2 Red (RAL3001/D)	
01 1 poles	3 Orange (RAL2011/P)	
02 2 poles	4 Yellow (RAL1018/A)	
...	5 Green (RAL6018/T)	
24 24 poles	6 Blue (RAL5015/A)	
	8 Grey (RAL7004/P)	
	9 White (RAL1102)	
	C Multiple colors	

mat'l. code		surface ASME Y14.5	tolerance ASME Y14.5	projection	product family TERMINAL BLOCK
ltr	ecn no	dr	date		title TERMINAL BLOCK SPRING CLAMP, 45D WIRE INLET
tolerances unless otherwise specified					
angles		φ	X.±0.5	scale	dwg no NExx00x000JOG
X°±1'		±	X.X±0.3		
dr		EVIN ZHONG	052714		size A4
enr		EVIN ZHONG	052714		
chr		HANKE FENG	052714		
appd		SHI JUN	052714		
sheet index	revision	A	1	type CUSTOMER Drawing	