



Chipsmall Limited consists of a professional team with an average of over 10 year of expertise in the distribution of electronic components. Based in Hongkong, we have already established firm and mutual-benefit business relationships with customers from,Europe,America and south Asia,supplying obsolete and hard-to-find components to meet their specific needs.

With the principle of “Quality Parts,Customers Priority,Honest Operation,and Considerate Service”,our business mainly focus on the distribution of electronic components. Line cards we deal with include Microchip,ALPS,ROHM,Xilinx,Pulse,ON,Everlight and Freescale. Main products comprise IC,Modules,Potentiometer,IC Socket,Relay,Connector.Our parts cover such applications as commercial,industrial, and automotives areas.

We are looking forward to setting up business relationship with you and hope to provide you with the best service and solution. Let us make a better world for our industry!



Contact us

Tel: +86-755-8981 8866 Fax: +86-755-8427 6832

Email & Skype: info@chipsmall.com Web: www.chipsmall.com

Address: A1208, Overseas Decoration Building, #122 Zhenhua RD., Futian, Shenzhen, China



Extension Modules NE14DCG

CARLO GAVAZZI



- 4 NO safety outputs
- 1 NC feedback output
- 24 VAC / VDC, 110 VAC or 230 VAC power supply
- Suitable for application up to safety category 4 according to EN 954-1
- Approvals: TÜV NORD, cULus

Product Description

Extension module according to EN 60204-1, EN202/1 and /2, EN 418, EN 1088 and EN 954-1. The zero delay extension modules increase the number of safety outputs. They must be used in conjunction with

a safety module and allow to keep the same safety category. They also provide a NC feedback output to control the internal force guided relay integrity

Ordering Key

NE14 D 230 CG

Housing _____
 Application _____
 Controlled Devices _____
 Safety Outputs _____
 Safety Category _____
 Power Supply _____

Type Selection

| Power supply | References |
|--------------|------------|
| 24 VAC/VDC | NE14DCG |
| 110 VAC | NE14D110CG |
| 230 VAC | NE14D230CG |

Electrical Specifications

| | | | |
|---------------------------------|-------------------------------|---|---|
| Power supply | NE14DCG | 24 VAC -15/+10% 50-60 Hz 24 VDC -15/+10% | Feedback output Resistive loads AC1 5 A @ 230 V Small inductive loads AC15 1.5 A @ 230 V |
| | NE14D110CG | 110 VAC -15/+10% 50-60 Hz | |
| | NE14D230CG | 230 VAC -15/+10% 50-60 Hz | |
| Power consumption | 4 VA / 4 W | | Contact fuse protection 6 A fast or 4 A delayed |
| Safety outputs | 4 NO | | |
| Feedback outputs | 1 NC | | Insulation voltage Pollution degree: 2 Overvoltage Cat.: 3/250 V 24 VAC/DC xxx AC none 4 kV 1.2/50µs 4 kV 1.5/50µs 4 kV 1.2/50µs 4 kV 1.5/50µs 4 kV 1.2/50µs |
| Contact ratings | | | |
| Safety output | | | Supply to input Supply to output Input to output |
| Resistive loads AC1 | 8 A @ 230 VAC | | |
| Small inductive loads AC15 DC13 | 3 A @ 230 VAC 4 A @ 24 VDC | | |

Time Specifications

| | |
|--------------------------|---------|
| Delay on energisation | 150 ms |
| Delay on de-energisation | < 30 ms |
| Channel simultaneity | ∞ |

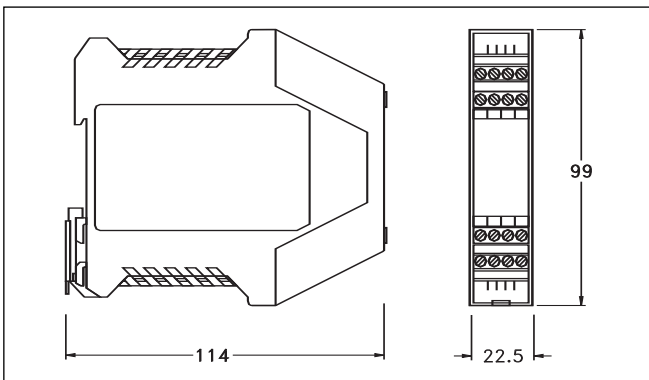
Environmental Specifications

| | |
|-----------------------|------------------|
| Operating temperature | -25°C ... + 55°C |
| Storage temperature | -25°C ... + 65°C |

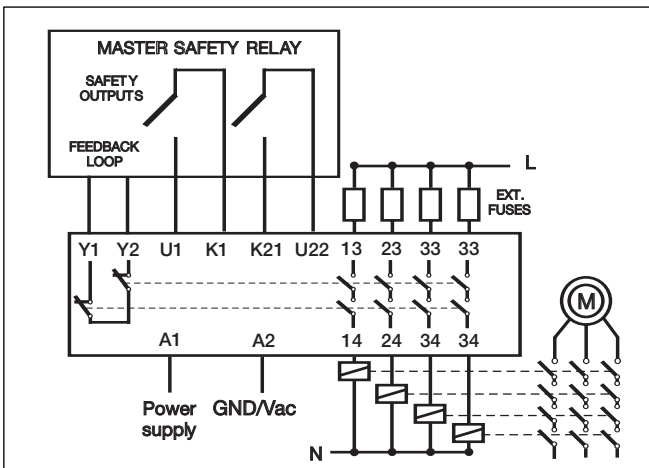
Mechanical Specifications

| | | | |
|-----------------------------|---------------------|--|---|
| Protection degree terminals | IP 20 | Max cross section of external conductors | 2.5 mm ² flexible wire 2.5 mm ² rigid wire |
| Protection degree housing | IP 40 | | |
| Housing material | Polyamid PA6.6 | Dimensions | 22.5 x 99 x 114 mm |
| Housing type | 22.5 housing models | Weight | NE14DCG 170 g |
| Mounting | DIN rail | NE14D110CG, NE14D230CG | 240 g |

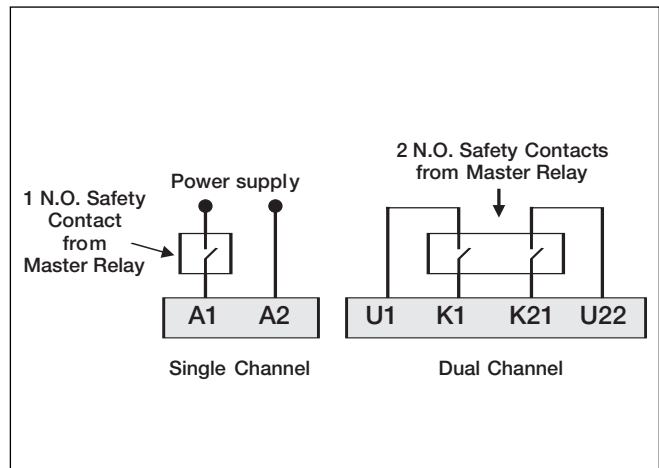
Dimensions



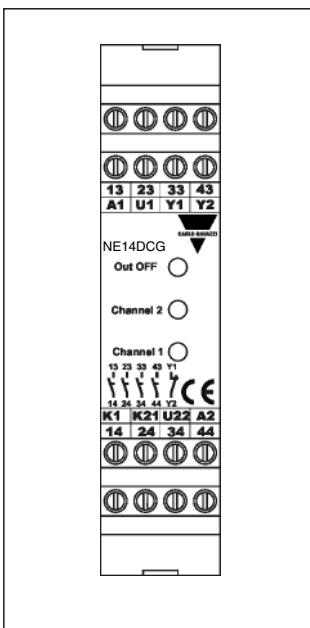
Wiring Diagrams



Application



Connection Sample



Connections

| Terminal Function | Connection |
|-------------------|--|
| A1 | +24 VDC or AC supply |
| A2 | GND or AC supply |
| U1-K1 | First input channel (N.O. Safety contact from the master relay) |
| K21-U22 | Second input channel (N.O. Safety contact from the master relay) |
| Y1-Y2 | FEEDBACK output (to connect to the master relay) |
| 13-14 | First safety output (N.O.) |
| 23-24 | Second safety output (N.O.) |
| 33-34 | Third safety output (N.O.) |
| 43-44 | Fourth safety output (N.O.) |