



Chipsmall Limited consists of a professional team with an average of over 10 year of expertise in the distribution of electronic components. Based in Hongkong, we have already established firm and mutual-benefit business relationships with customers from,Europe,America and south Asia,supplying obsolete and hard-to-find components to meet their specific needs.

With the principle of “Quality Parts,Customers Priority,Honest Operation,and Considerate Service”,our business mainly focus on the distribution of electronic components. Line cards we deal with include Microchip,ALPS,ROHM,Xilinx,Pulse,ON,Everlight and Freescale. Main products comprise IC,Modules,Potentiometer,IC Socket,Relay,Connector.Our parts cover such applications as commercial,industrial, and automotives areas.

We are looking forward to setting up business relationship with you and hope to provide you with the best service and solution. Let us make a better world for our industry!



Contact us

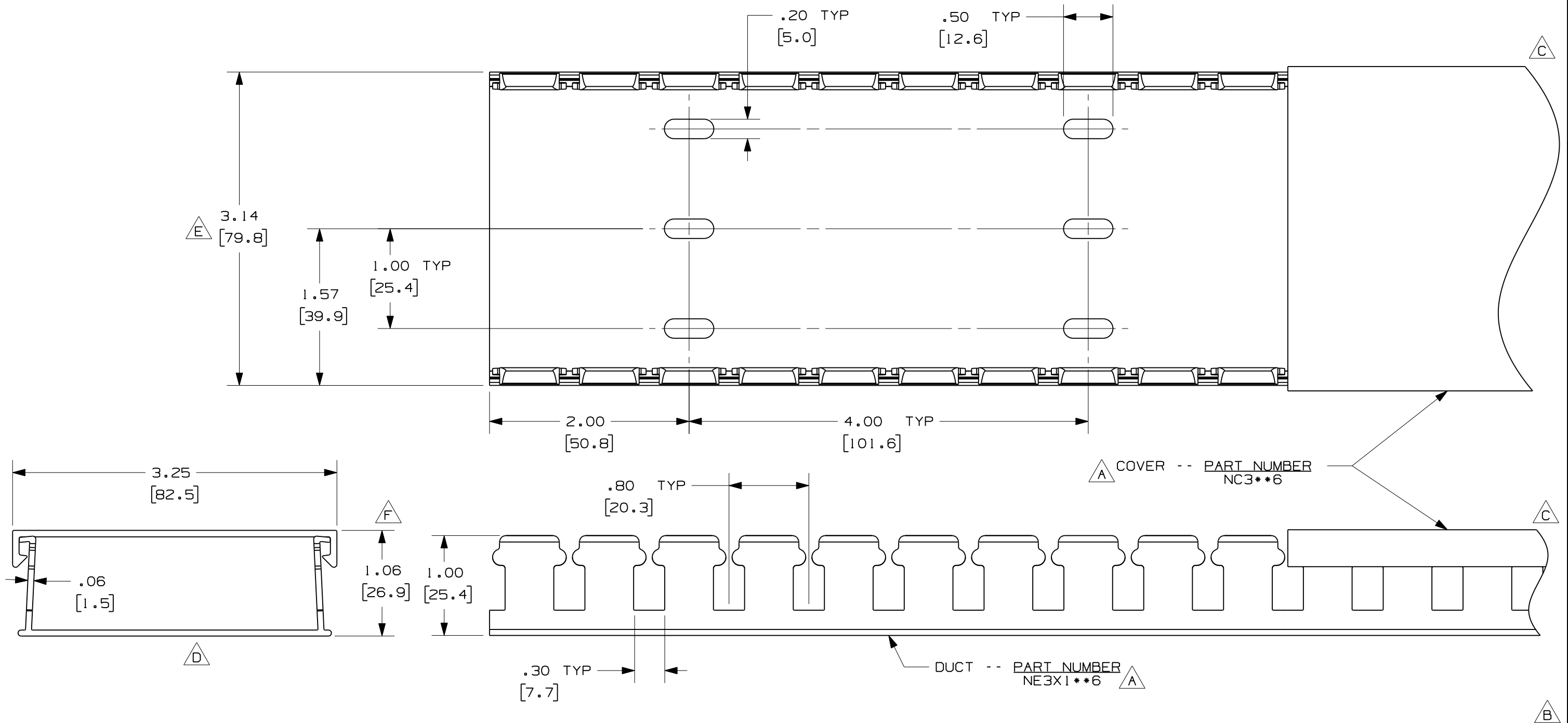
Tel: +86-755-8981 8866 Fax: +86-755-8427 6832

Email & Skype: info@chipsmall.com Web: www.chipsmall.com

Address: A1208, Overseas Decoration Building, #122 Zhenhua RD., Futian, Shenzhen, China



THIS COPY IS PROVIDED ON A RESTRICTED BASIS AND IS NOT TO BE USED IN ANY WAY DETRIMENTAL TO THE INTERESTS OF PANDUIT CORP.



- A** NOTE.
- G** 1. ALL DIMENSIONS ARE REFERENCE ONLY.
 2. DIMENSIONS IN PARENTHESES ARE METRIC.
 3. DUCT AND COVER ARE AVAILABLE IN 6 FT [1828.8] LENGTHS.
 4. THE ** DENOTES COLOR.

REV	DATE	BY	CHK	DESCRIPTION
3	10-1-08	JCSTMKBE		I. CHANGED AND ADDED NOTES H. CHANGED MATERIAL
--	-----	---	---	G. ADDED LENGTH NOTE F. CORRECTED DIMENSION
2	8-7-07	JCSTMKBE		E. ADDED DIMENSION D. DELETED DIMENSION
1	7-1-05	JCSTMKBE		B. CHANGED TITLE BLOCK C. CHANGED VIEWS A. ADDED LABELS, AND NOTES
R	10-16-03	JHNU JGG		DRAWING RELEASED

CAD FILENAME/LAYERS		D11000RX_DC/02A	
PANDUIT CORP. TINLEY PARK, ILLINOIS			
WIRING DUCT-TYPE NE WITH COVER 3 X 1 MARKETING DRAWING			
DRAWN BY JHNU	MAT'L: HALOGEN FREE MODIFIED PPO	SCALE FULL	DWG B SIZE
DATE 10-16-03	CHECKED BY JGG	DRAWING NO. 36897-951	