



Chipsmall Limited consists of a professional team with an average of over 10 year of expertise in the distribution of electronic components. Based in Hongkong, we have already established firm and mutual-benefit business relationships with customers from,Europe,America and south Asia,supplying obsolete and hard-to-find components to meet their specific needs.

With the principle of “Quality Parts,Customers Priority,Honest Operation,and Considerate Service”,our business mainly focus on the distribution of electronic components. Line cards we deal with include Microchip,ALPS,ROHM,Xilinx,Pulse,ON,Everlight and Freescale. Main products comprise IC,Modules,Potentiometer,IC Socket,Relay,Connector.Our parts cover such applications as commercial,industrial, and automotives areas.

We are looking forward to setting up business relationship with you and hope to provide you with the best service and solution. Let us make a better world for our industry!



Contact us

Tel: +86-755-8981 8866 Fax: +86-755-8427 6832

Email & Skype: info@chipsmall.com Web: www.chipsmall.com

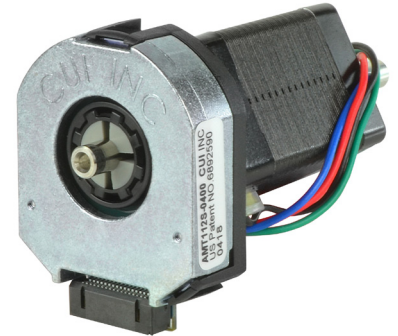
Address: A1208, Overseas Decoration Building, #122 Zhenhua RD., Futian, Shenzhen, China



SERIES: NEMA08-AMT112S | **DESCRIPTION:** STEPPER SERVO MOTOR

FEATURES

- CUI AMT112S encoder + LIN Engineering stepper motor
- stepper motor with encoder for closed-loop mode when paired with a controller
- small, compact NEMA 08 frame size
- up to 4 oz-in (0.028 N-m) holding torque
- patented capacitive encoder ASIC technology
- incremental resolutions up to 4096 PPR
- resolutions programmable with AMT Viewpoint™ PC software
- digitally set zero position



IN PARTNERSHIP WITH
 **LIN ENGINEERING**
 The Step Motor Specialists
 BACKED BY **MOONS'**

| MODEL | step angle | current/phase | resistance/phase | inductance/phase | max holding torque | max optimal speed | body length |
|-----------------------|------------|---------------|------------------|------------------|--------------------|-------------------|---------------|
| | (°) | (A) | typ (Ω±10%) | typ (mH±20%) | (oz-in) | (RPS) | max (inch) |
| NEMA08-13-01D-AMT112S | 1.8 | 0.60 | 6.5 | 1.7 | 3.0 | 1 | 1.3 |
| NEMA08-17-01D-AMT112S | 1.8 | 0.80 | 5.4 | 1.5 | 4.0 | 1 | 1.7 |

AMT112S ENCODER ELECTRICAL

| parameter | conditions/description | min | typ | max | units |
|------------------------------|------------------------|---------|-----|-----|-------|
| power supply | VDD | 4.5 | 5 | 5.5 | V |
| start up time | | | 200 | | ms |
| current consumption | with unloaded output | | 16 | | mA |
| output high level | | VDD-0.1 | | | V |
| output low level | | | | 0.1 | V |
| output current (per channel) | | | | 15 | mA |
| rise/fall time | | | 8 | | ns |

INCREMENTAL CHARACTERISTICS

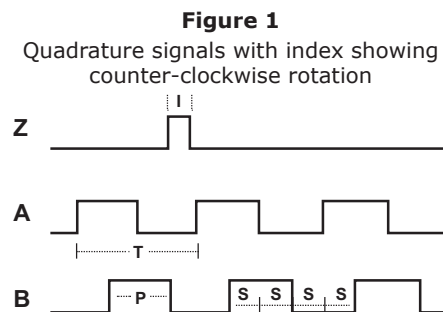
| parameter | conditions/description | min | typ | max | units |
|-------------------------------------|---|-----|-----|-----|---------|
| channels | CMOS Voltage: A, B, Z | | | | |
| waveform | CMOS voltage square wave | | | | |
| phase difference | A leads B for CCW rotation (viewed from front) | | | | |
| quadrature resolutions ¹ | 48, 96, 100, 125, 192, 200, 250, 256, 360, 384, 400, 500, 512, 768, 800, 1000, 1024, 1600, 2000, 2048, 2500, 4096 | | | | PPR |
| index ² | one pulse per 360 degree rotation | | | | |
| accuracy | | | 0.2 | | degrees |
| quadrature duty cycle | | | 50 | | % |

Notes: 1. Resolution programmed with AMT Viewpoint™ PC software. Default resolution set to 400 PPR.
2. Zero position alignment set with AMT One Touch Zero™ module, AMT Viewpoint™ PC software, or serial commands

MECHANICAL

| parameter | conditions/description | min | typ | max | units |
|---------------------------------------|---|-----|------|------|-------|
| weight | | | 15.7 | | g |
| rotational speed (at each resolution) | 48, 96, 100, 125, 192, 200, 250, 256, 384, 400, 500, 512, 800, 1000, 1024, 2048 | | | 8000 | RPM |
| | 360, 768, 1600, 2000, 4096 | | | 4000 | RPM |
| | 2500 | | | 2500 | RPM |

ENCODER WAVEFORMS



The following parameters are defined by the resolution selected for each encoder, where R = resolution.

| Parameter | Description | Expression | Units |
|-----------|-----------------|------------|--------------------|
| T | period | $360/R$ | mechanical degrees |
| P | pulse width | $T/2$ | mechanical degrees |
| I | index width | $P/2$ | mechanical degrees |
| S | A/B state width | $P/2$ | mechanical degrees |

STEPPER MOTOR SPECIFICATIONS

| parameter | conditions/description | min | typ | max | units |
|---------------------|------------------------|-----|-------|-------|--------------------|
| motor frame size | NEMA Size 08 | | | | |
| step angle | | | 1.8 | | ° |
| rated current/phase | see page 1 for details | | | | |
| rated voltage | | | 24-48 | | Vdc |
| resistance/phase | see page 1 for details | | | | |
| inductance/phase | see page 1 for details | | | | |
| connection type | bipolar | | | | |
| rotor inertia | | | 0.01 | | oz-in ² |
| max holding torque | see page 1 for details | | | | |
| bearing type | ABEC3 | | | | |
| front shaft OD | | | 4 | | mm |
| front shaft length | | | 0.59 | | inch |
| max optimal speed | see page 1 for details | | | | |
| max axial load | | | | 0.45 | lb |
| radial play | at 1 lb load | | | 0.001 | inch |
| end play | at 2 lbs load | | | 0.003 | inch |
| shaft run out | | | 0.002 | | inch TIR |
| dielectric strength | | | 500 | | V |
| EMI/EMC | EN 55014-1:2007 | | | | |

SWITCHING SEQUENCE

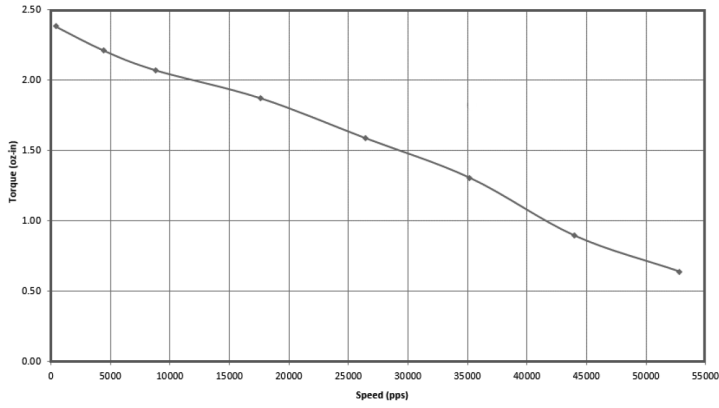
| SWITCHING SEQUENCE | | | | | |
|--|------|---|---|---|---|
| CCW | STEP | A | A | B | B |
| ↓ | 1 | + | - | + | - |
| | 2 | + | - | - | + |
| | 3 | - | + | - | + |
| | 4 | - | + | + | - |
| | 1 | + | - | + | - |
| Motor Rotation Viewed from Front Shaft End | | | | | |

ENVIRONMENTAL

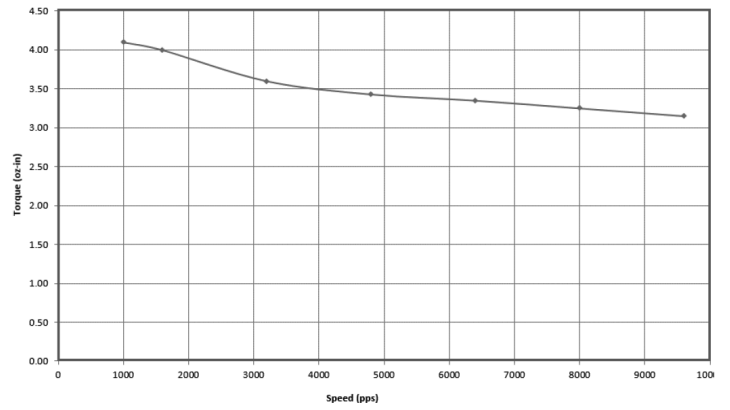
| parameter | conditions/description | min | typ | max | units |
|-----------------------|--|-----|-----|-----|-------|
| operating temperature | | -20 | | 50 | °C |
| storage temperature | | -20 | | 100 | °C |
| humidity | non-condensing | | | 85 | % |
| vibration | 10~500 Hz, 5 minute sweep, 2 hours on each XYZ | | | 5 | G |
| shock | 3 pulses, 6 ms, 3 on each XYZ | | | 200 | G |
| RoHS | yes | | | | |

TORQUE CURVES

CUI P/N NEMA08-13-01D-AMT112S
 Lin Engineering P/N WO-208-13-01 (1.8 Step Motor)
 24 Vdc, 0.60 Amp/Phase, IB462, 1/2 Stepping



CUI P/N NEMA08-17-01D-AMT112S
 Lin Engineering P/N WO-208-17-01 (1.8 Step Motor)
 24 Vdc, 0.80 Amp/Phase, IB462, 1/2 Stepping



MECHANICAL DRAWING

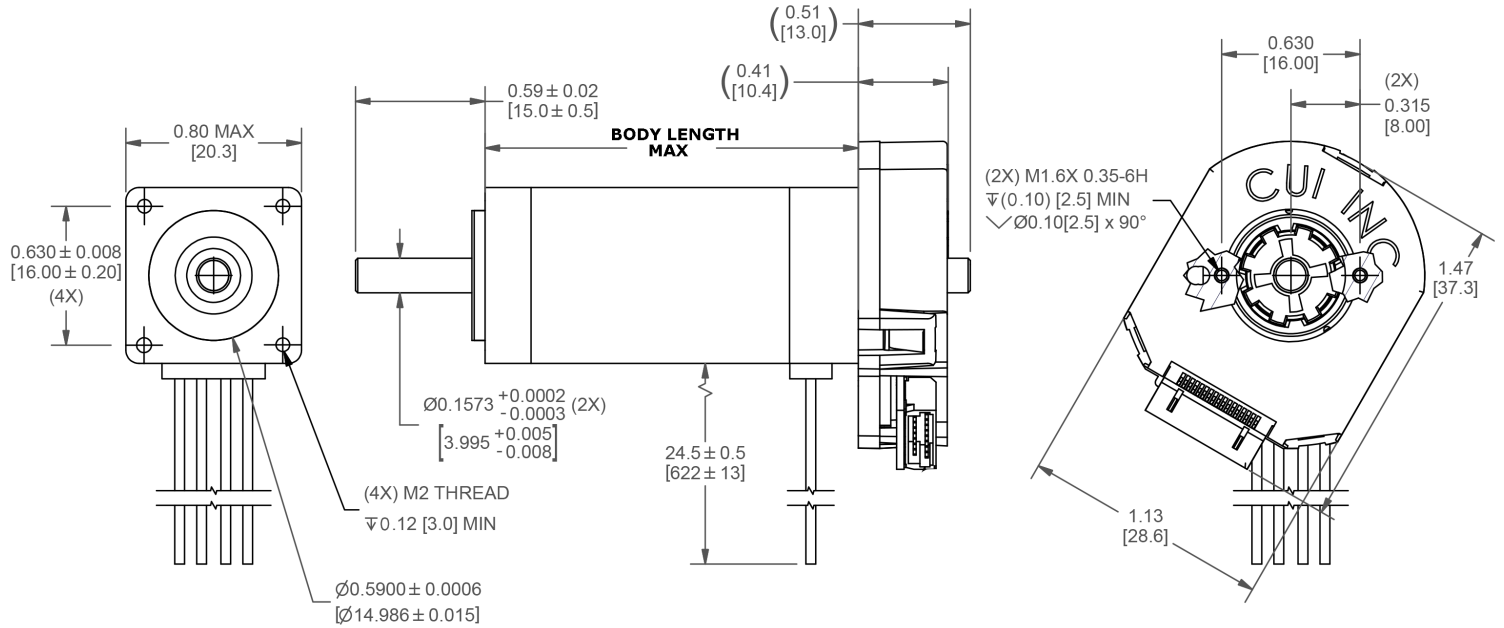
units: inch [mm]

tolerance:

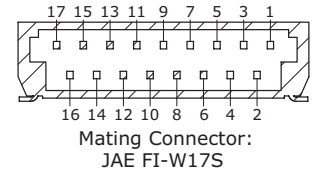
X.XX ±0.01 [±0.25]

X.XXX ±0.005 [±0.13]

X.XXXX ±0.0005 [±0.013]



| MOTOR WIRE CONNECTIONS | |
|------------------------|-----------|
| Color | Function |
| red | A |
| blue | \bar{A} |
| green | B |
| black | \bar{B} |
| 26 AWG, PVC | |



| MODEL NO. | BODY LENGTH (inch) | WEIGHT (lb) |
|-----------------------|--------------------|-------------|
| NEMA08-13-01D-AMT112S | 1.3 | 0.10 |
| NEMA08-17-01D-AMT112S | 1.7 | 0.15 |

| ENCODER CONNECTIONS | |
|---------------------|----------|
| # | Function |
| 1 | TX_ENC+ |
| 2 | RX_ENC+ |
| 3 | N/A |
| 4 | GND |
| 5 | N/A |
| 6 | +5 V |
| 7 | N/A |
| 8 | B+ |
| 9 | N/A |
| 10 | A+ |
| 11 | N/A |
| 12 | Z+ |
| 13 | N/A |
| 14 | MCLRB |
| 15 | N/A |
| 16 | N/A |
| 17 | N/A |

REVISION HISTORY

| rev. | description | date |
|------|-----------------|------------|
| 1.0 | initial release | 06/26/2018 |

The revision history provided is for informational purposes only and is believed to be accurate.



CUI INC[®]

Headquarters
20050 SW 112th Ave.
Tualatin, OR 97062
800.275.4899

Fax 503.612.2383
cui.com
techsupport@cui.com

CUI offers a one (1) year limited warranty. Complete warranty information is listed on our website.

CUI reserves the right to make changes to the product at any time without notice. Information provided by CUI is believed to be accurate and reliable. However, no responsibility is assumed by CUI for its use, nor for any infringements of patents or other rights of third parties which may result from its use.

CUI products are not authorized or warranted for use as critical components in equipment that requires an extremely high level of reliability. A critical component is any component of a life support device or system whose failure to perform can be reasonably expected to cause the failure of the life support device or system, or to affect its safety or effectiveness.