



Chipsmall Limited consists of a professional team with an average of over 10 year of expertise in the distribution of electronic components. Based in Hongkong, we have already established firm and mutual-benefit business relationships with customers from,Europe,America and south Asia,supplying obsolete and hard-to-find components to meet their specific needs.

With the principle of “Quality Parts,Customers Priority,Honest Operation,and Considerate Service”,our business mainly focus on the distribution of electronic components. Line cards we deal with include Microchip,ALPS,ROHM,Xilinx,Pulse,ON,Everlight and Freescale. Main products comprise IC,Modules,Potentiometer,IC Socket,Relay,Connector.Our parts cover such applications as commercial,industrial, and automotives areas.

We are looking forward to setting up business relationship with you and hope to provide you with the best service and solution. Let us make a better world for our industry!



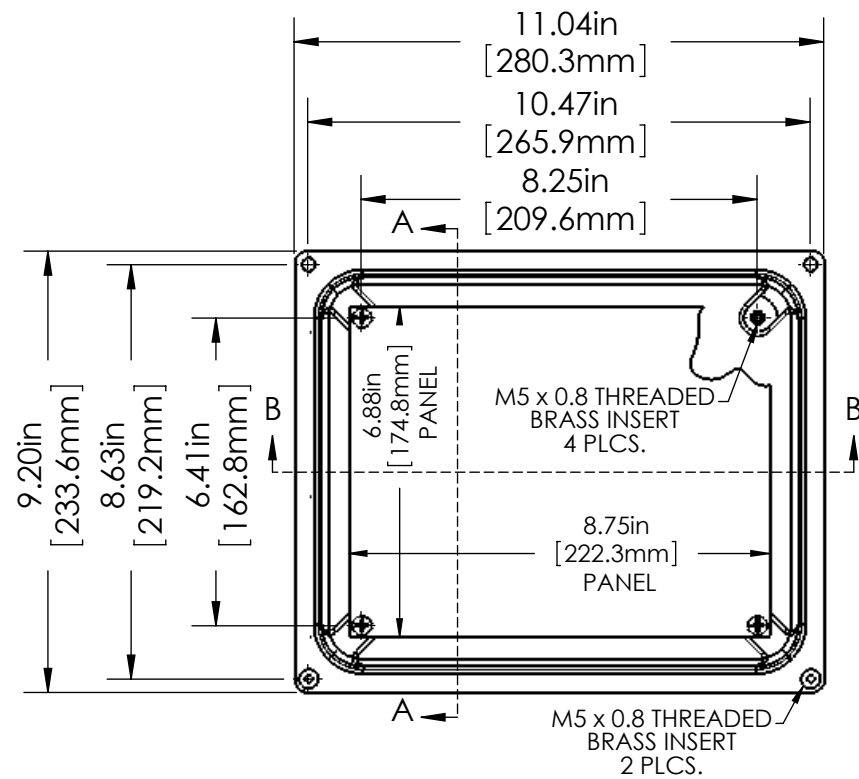
Contact us

Tel: +86-755-8981 8866 Fax: +86-755-8427 6832

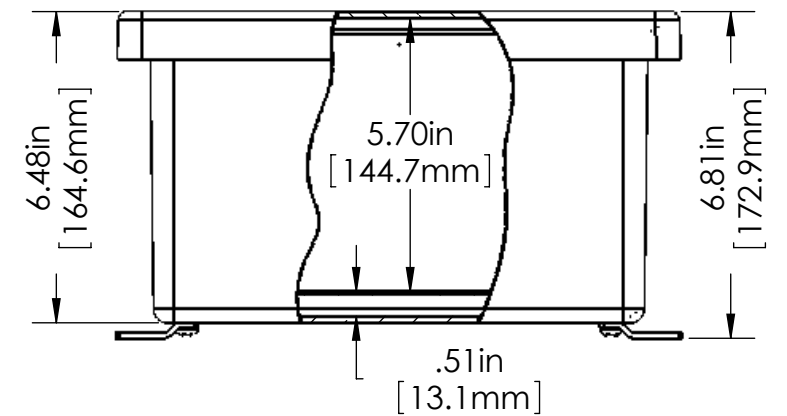
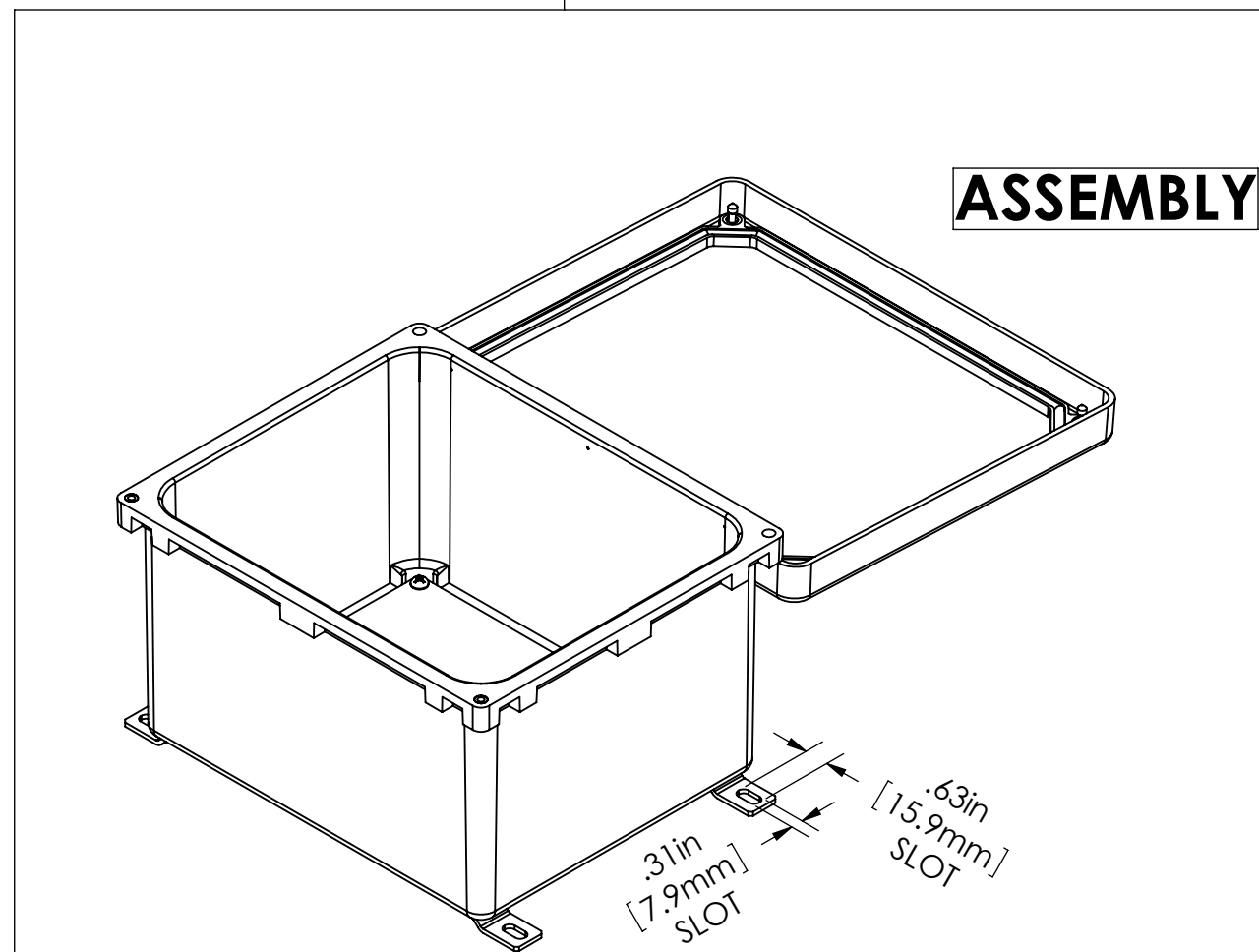
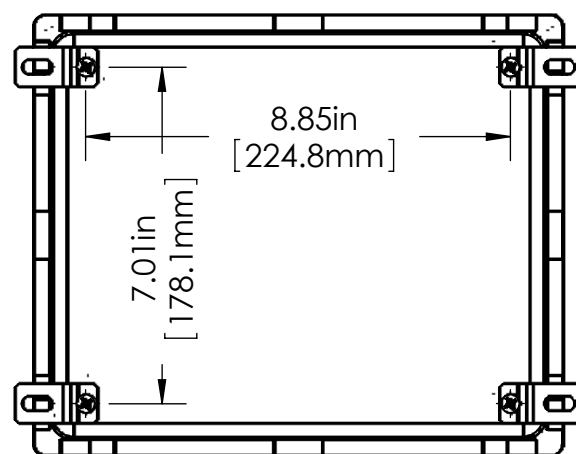
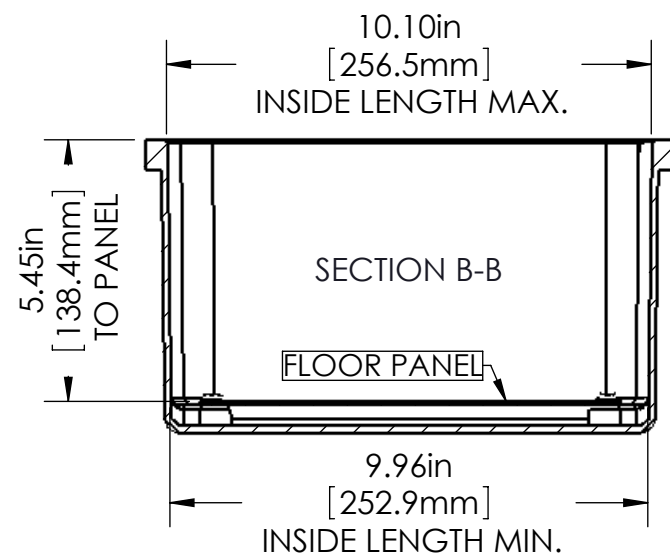
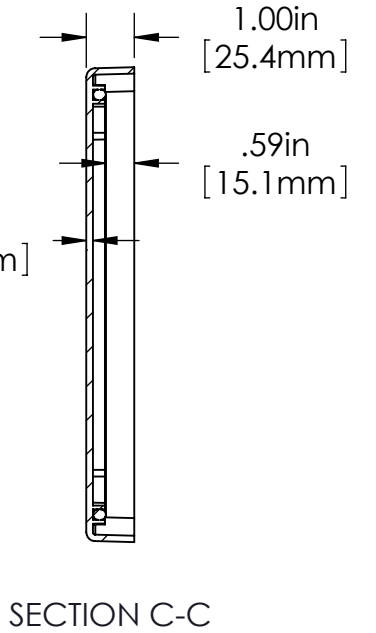
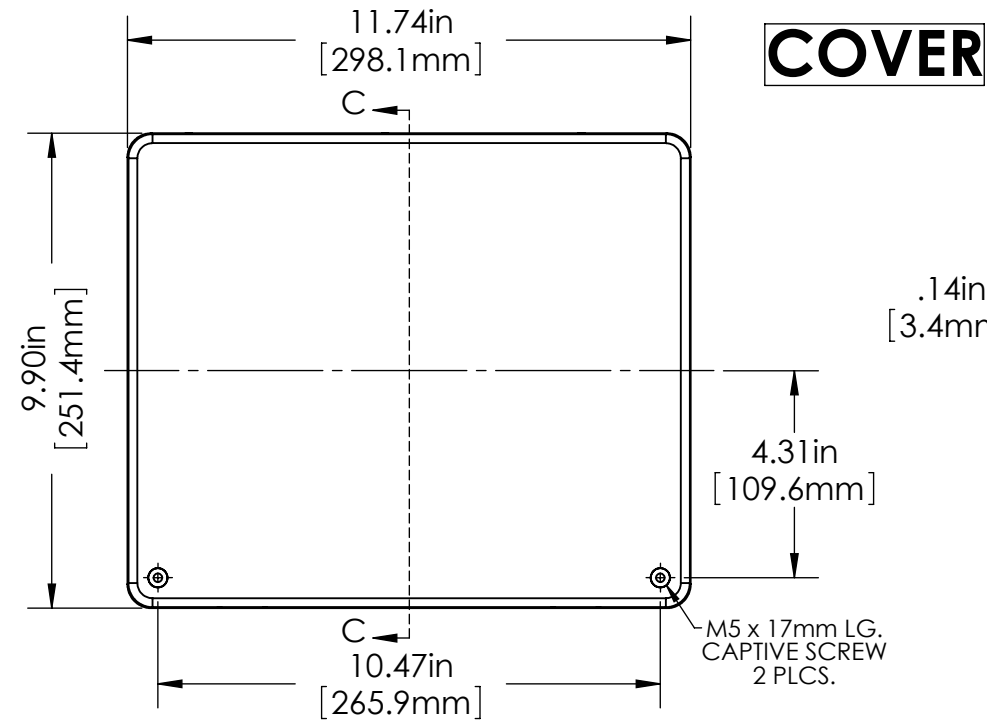
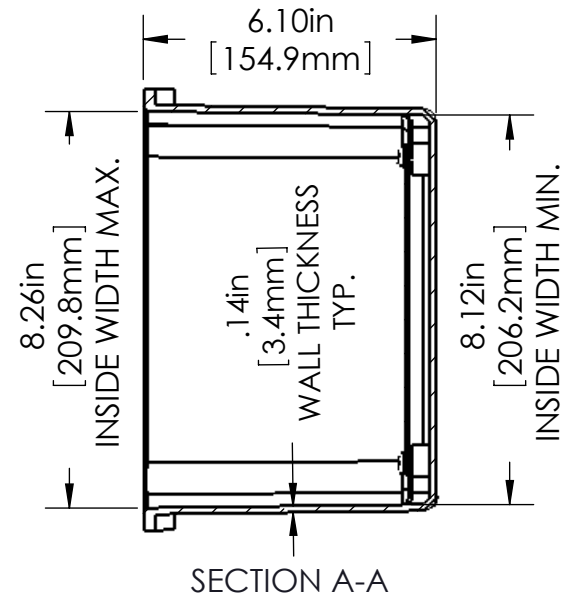
Email & Skype: info@chipsmall.com Web: www.chipsmall.com

Address: A1208, Overseas Decoration Building, #122 Zhenhua RD., Futian, Shenzhen, China





BODY



TOLERANCES: ±.02" (0.5mm) [UNLESS OTHERWISE SPECIFIED]

MATERIAL:
BODY & COVER - FIBERGLASS REINFORCED POLYESTER (SMC)
PANEL - 14 GA. (2mm) THK. COLD ROLLED STEEL
MOUNTING BRACKETS - 12 GA. (2.5mm) 304 STAINLESS STEEL
HINGE - 18 GA. (1.2mm) THK. 304 STAINLESS STEEL
GASKET - SILICONE SPONGE

FINISH:
BODY & COVER - LIGHT GREY
PANEL - WHITE POLYESTER POWDER COAT
MOUNTING BRACKETS & HINGE - NATURAL

NOTE:
WALL MOUNTING BRACKETS AND SCREWS SUPPLIED - UNASSEMBLED.