



Chipsmall Limited consists of a professional team with an average of over 10 year of expertise in the distribution of electronic components. Based in Hongkong, we have already established firm and mutual-benefit business relationships with customers from,Europe,America and south Asia,supplying obsolete and hard-to-find components to meet their specific needs.

With the principle of “Quality Parts,Customers Priority,Honest Operation,and Considerate Service”,our business mainly focus on the distribution of electronic components. Line cards we deal with include Microchip,ALPS,ROHM,Xilinx,Pulse,ON,Everlight and Freescale. Main products comprise IC,Modules,Potentiometer,IC Socket,Relay,Connector.Our parts cover such applications as commercial,industrial, and automotives areas.

We are looking forward to setting up business relationship with you and hope to provide you with the best service and solution. Let us make a better world for our industry!



Contact us

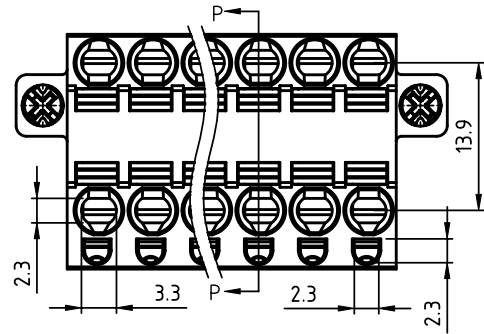
Tel: +86-755-8981 8866 Fax: +86-755-8427 6832

Email & Skype: info@chipsmall.com Web: www.chipsmall.com

Address: A1208, Overseas Decoration Building, #122 Zhenhua RD., Futian, Shenzhen, China



| | |
|----------------|---------|
| PRODUCT NUMBER | PITCH |
| NFxx50x100J0G | 5.08 mm |

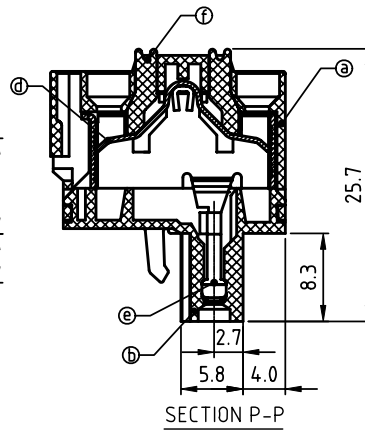
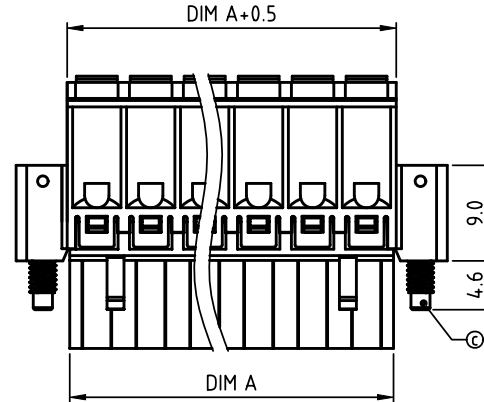
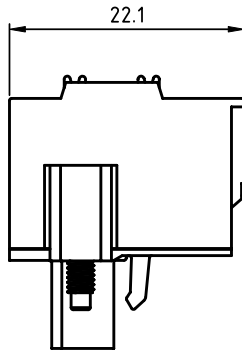
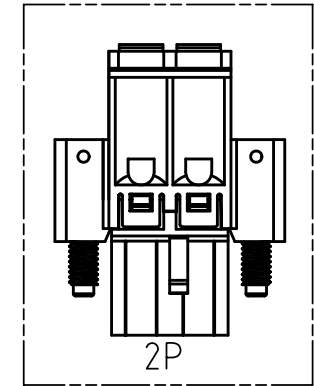


N=Number of poles
 Dim A=Nx5.08
 Dim B=(N-1)x5.08
 Dim C=(N+1)x5.08
 Dim D=(N-1)x5.08+15.2

| Poles | Dim A&B | Dim C&D |
|---------|---------|---------|
| 2P-4P | ±0.15 | ±0.20 |
| 5P-8P | ±0.20 | ±0.25 |
| 9P-12P | ±0.25 | ±0.30 |
| 13P-15P | ±0.30 | ±0.35 |
| 16P-18P | ±0.35 | ±0.40 |
| 19P-24P | ±0.40 | ±0.45 |

PART NO.: NF xx 5 0 x 1 00J 0 G

| Solid block | No. of poles | Color | RoHS compliant |
|-------------|--------------|---------------------|------------------------------|
| 0 | 2 | Black (RAL9005) | (lead<4%) In copper Alloy |
| 02 | 2 poles | Red (RAL3001/D) | |
| 03 | 3 poles | Orange(RAL2011/P) | |
| ... | ... | 4 Yellow(RAL1018/A) | |
| 24 | 24 poles | 5 Green(RAL6018/T) | |
| | | 6 Blue (RAL5015/A) | |
| | | 8 Grey(RAL7035/D) | |
| | | 9 White(RAL1102) | |
| | | C Green(RAL6018/U) | |



Material:

- Item①Top body:Thermoplastic (UL94V-0)
- Item②Bottom body:Thermoplastic (UL94V-0)
- Item③Terminal screw:Steel Zinc plating "-/+“combination type
- Item④Spring clamp:Stainless Steel
- Item⑤Female contact: PhBz (CuSn) Tin plated
- Item⑥Lever:Thermoplastic (UL94V-0) Orange(RAL2011/P)

Electrical

- Voltage rating: 300VAC
- Current rating: 8A
- Solid wire: 12-26 AWG
- Stranded wire: 12-26AWG
- Wire strip length: 11-12mm
- Withstanding Voltage: 1.6KV
- Operating temperature: -40°C to +115°C
- Safety Approval:

| | | | | |
|-------------|-----------------------|-------------------------|------------|---|
| mat'l. code | surface ASME Y14.5 | tolerance ASME Y14.5 | projection | product family TERMINAL BLOCK |
| ltr | ecn | no | dr | date |
| | | | | tolerances unless otherwise specified |
| | | | | angles |
| | | | | X.±0.5 |
| | | | | X.X±0.3 |
| | | | | X*±1* |
| | | | | X.XX±0.1 |
| | | | | scale |
| | | | | MM |
| | | | | scale |
| | | | | dr |
| | | | | ENGR |
| | | | | ENGR |
| | | | | CHR |
| | | | | APPD |
| | | | | EVIN ZHONG 052014 |
| | | | | EVIN ZHONG 052014 |
| | | | | HANKE FENG 052014 |
| | | | | SHI JUN 052014 |
| | | | | FCI |
| | | | | title |
| | | | | TERMINAL BLOCK |
| | | | | SPRING CLAMP,PLUGGABLE PLUG,WITH FLANGE |
| | | | | dwg no |
| | | | | sheet 1 of 1 |
| | | | | size |
| | | | | NFxx50x100J0G |
| | | | | A4 |
| | | | | type |
| | | | | CUSTOMER Drawing |
| sheet index | revision | A | | |
| | sheet | 1 | | |