



Chipsmall Limited consists of a professional team with an average of over 10 year of expertise in the distribution of electronic components. Based in Hongkong, we have already established firm and mutual-benefit business relationships with customers from,Europe,America and south Asia,supplying obsolete and hard-to-find components to meet their specific needs.

With the principle of "Quality Parts,Customers Priority,Honest Operation,and Considerate Service",our business mainly focus on the distribution of electronic components. Line cards we deal with include Microchip,ALPS,ROHM,Xilinx,Pulse,ON,Everlight and Freescale. Main products comprise IC,Modules,Potentiometer,IC Socket,Relay,Connector.Our parts cover such applications as commercial,industrial, and automotives areas.

We are looking forward to setting up business relationship with you and hope to provide you with the best service and solution. Let us make a better world for our industry!



Contact us

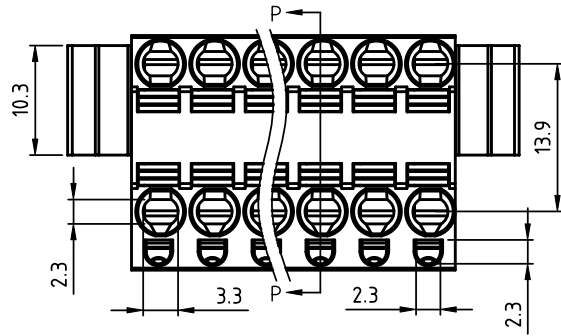
Tel: +86-755-8981 8866 Fax: +86-755-8427 6832

Email & Skype: info@chipsmall.com Web: www.chipsmall.com

Address: A1208, Overseas Decoration Building, #122 Zhenhua RD., Futian, Shenzhen, China



PRODUCT NUMBER	PITCH
NFxx50x200J0G	5.08 mm

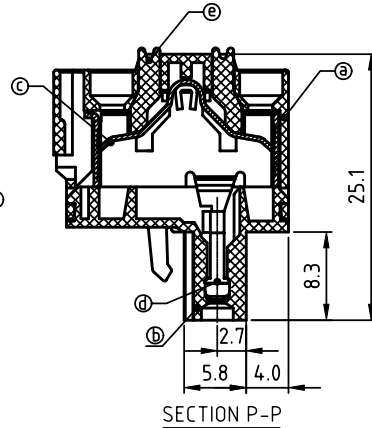
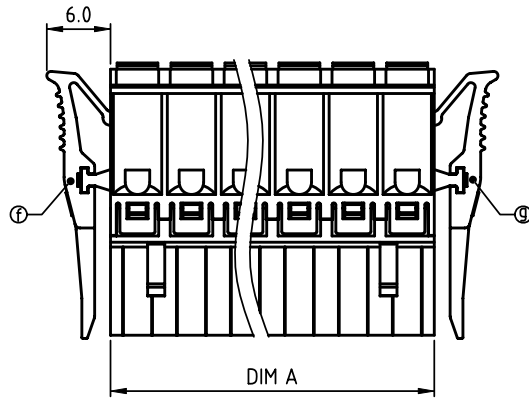
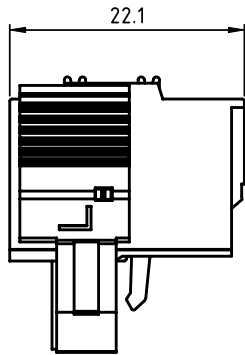
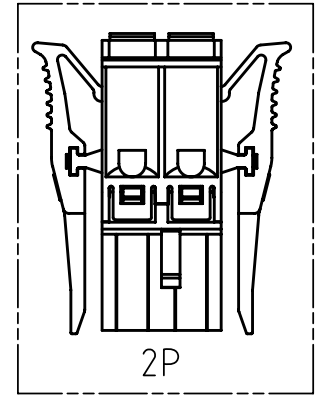


N=Number of poles
Dim A=Nx5.08
Dim B=(N-1)x5.08

Poles	Tolerance
2P-4P	±0.15
5P-8P	±0.20
9P-12P	±0.25
13P-15P	±0.30
16P-18P	±0.35
19P-24P	±0.40

PART NO.: NF xx 5 0 x 2 00J0 G

Solid block	0	Black (RAL9005)	RoHS compliant (lead<4%) In copper Alloy
No. of poles	2	Red (RAL3001/D)	
02 2 poles	3	Orange(RAL2011/P)	
03 3 poles	4	Yellow(RAL1018/A)	
... ..	5	Green(RAL6018/T)	
24 24 poles	6	Blue (RAL5015/A)	
	8	Grey(RAL7035/D)	
	9	White(RAL1102)	
	C	Green(RAL6018/U)	

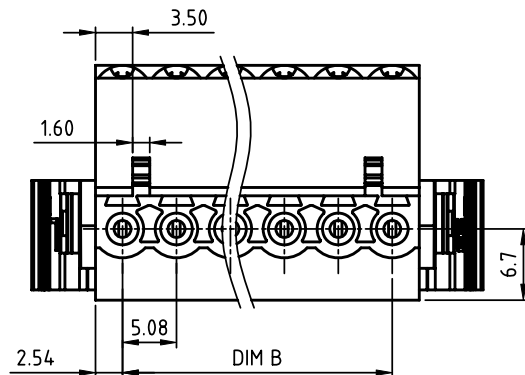


Material:

- Item A Top body:Thermoplastic (UL94V-0)
- Item B Bottom body:Thermoplastic(UL94V-0)
- Item C Spring clamp:Stainless Steel
- Item D Female contact: PhBz (CuSn) Tin plated
- Item E Lever:Thermoplastic(UL94V-0) Orange(RAL2011/P)
- Item F With left latch:Thermoplastic(UL94V-0)
- Item G With right latch:Thermoplastic(UL94V-0)

Electrical

- Voltage rating: 300VAC
- Current rating: 8A
- Solid wire: 12-26 AWG
- Stranded wire: 12-26AWG
- Wire strip length: 11-12mm
- Withstanding Voltage: 1.6KV
- Operating temperature: -40°C to +115°C
- Safety Approval:



mat'l. code		surface ASME Y14.5	tolerance ASME Y14.5	projection	product family TERMINAL BLOCK
ltr	ecn no	dr	date	 MM scale	title TERMINAL BLOCK SPRING CLAMP,PLUGGABLE PLUG,WITH LATCH
tolerances unless otherwise specified					
angles		X.±0.5			dwg no NFxx50x200J0G sheet 1 of 1 size A4
X°±1°		X.X±0.3			
		X.XX±0.1			
dr	ENGR	chr	appd		type CUSTOMER Drawing
	EVIN ZHONG		SHI JUN		
	052014		052014		
sheet index	revision	A			
	sheet	1			