



Chipsmall Limited consists of a professional team with an average of over 10 year of expertise in the distribution of electronic components. Based in Hongkong, we have already established firm and mutual-benefit business relationships with customers from,Europe,America and south Asia,supplying obsolete and hard-to-find components to meet their specific needs.

With the principle of “Quality Parts,Customers Priority,Honest Operation,and Considerate Service”,our business mainly focus on the distribution of electronic components. Line cards we deal with include Microchip,ALPS,ROHM,Xilinx,Pulse,ON,Everlight and Freescale. Main products comprise IC,Modules,Potentiometer,IC Socket,Relay,Connector.Our parts cover such applications as commercial,industrial, and automotives areas.

We are looking forward to setting up business relationship with you and hope to provide you with the best service and solution. Let us make a better world for our industry!



## Contact us

Tel: +86-755-8981 8866 Fax: +86-755-8427 6832

Email & Skype: info@chipsmall.com Web: www.chipsmall.com

Address: A1208, Overseas Decoration Building, #122 Zhenhua RD., Futian, Shenzhen, China

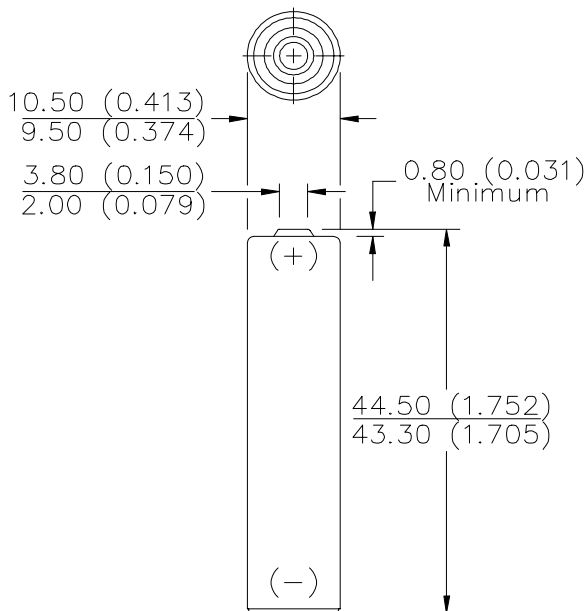


## ENERGIZER NO. NH12

## AAA



Industry Standard Dimensions in mm (inches)



**Description:** Rechargeable 1.2V  
**Chemical System:** Nickel-Metal Hydride (NiMH)  
**Designation:** ANSI-1.2H1  
**Battery Voltage:** 1.2 Volts  
**Average Capacity:** 850 mAh (to 1.0 volts)  
 (Based on 170 mA (0.2C) discharge rate)  
**Average Weight:** 12.0 grams (0.4 oz.)  
**Volume:** 3.8 cubic centimeters (0.2 cubic inch)  
**Jacket:** Plastic Label

### Internal Resistance

The internal resistance of the cell varies with state of charge, as follows:

Cell Charged	Cell 1/2 Discharged
100 milliohms	1200 milliohms

(tolerance of ±20% applies to above values)

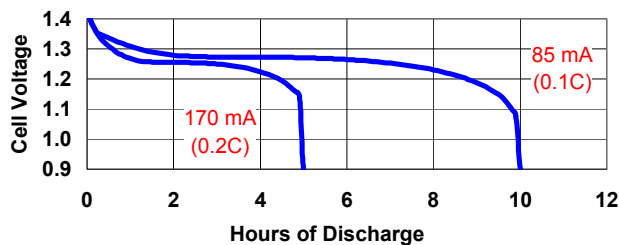
### AC Impedance (No Load)

The impedance of the charged cell varies with frequency, as follows:

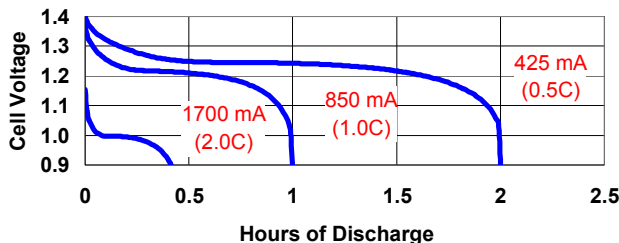
Frequency (Hz)	Impedance (milliohms) (Charged Cell)
1000	35

Note: Above values based on AC current set at 1.0 ampere. Value tolerances are ±20%

TYPICAL DISCHARGE CHARACTERISTICS  
 Average Performance at 21°C (70°F)



TYPICAL DISCHARGE CHARACTERISTICS  
 Average Performance at 21°C (70°F)



### Operating and Storage Temperatures

Ranges of temperature applicable to operation of the NH12 cells are:

- Charge @ 0.1C:** 32°F to 122°F (0°C to 50°C)
- Discharge @ 0.1C:** -4°F to 122°F (-20°C to 50°C)
- Storage:** -40°F to 122°F (-40°C to 50°C)  
 (6 Months Max.)  
 -4°F to 95°F (-20°C to 35°C)  
 (2 Years Max.)

Operating at extreme temperature will significantly affect service and cycle life.

### Important Notice

This data sheet contains information specific to batteries manufactured at the time of its publication.

**Contents herein do not constitute a warranty.**

Copyright © Eveready Battery Co. Inc. - All Rights Reserved