



Chipsmall Limited consists of a professional team with an average of over 10 year of expertise in the distribution of electronic components. Based in Hongkong, we have already established firm and mutual-benefit business relationships with customers from,Europe,America and south Asia,supplying obsolete and hard-to-find components to meet their specific needs.

With the principle of “Quality Parts,Customers Priority,Honest Operation,and Considerate Service”,our business mainly focus on the distribution of electronic components. Line cards we deal with include Microchip,ALPS,ROHM,Xilinx,Pulse,ON,Everlight and Freescale. Main products comprise IC,Modules,Potentiometer,IC Socket,Relay,Connector.Our parts cover such applications as commercial,industrial, and automotives areas.

We are looking forward to setting up business relationship with you and hope to provide you with the best service and solution. Let us make a better world for our industry!



## Contact us

Tel: +86-755-8981 8866 Fax: +86-755-8427 6832

Email & Skype: info@chipsmall.com Web: www.chipsmall.com

Address: A1208, Overseas Decoration Building, #122 Zhenhua RD., Futian, Shenzhen, China



PART NAME

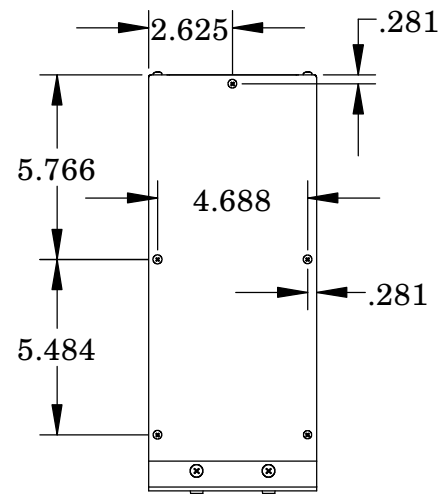
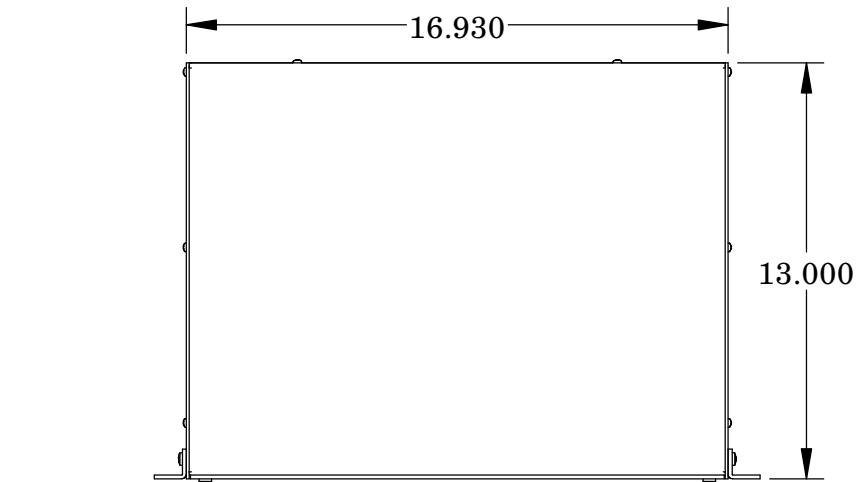
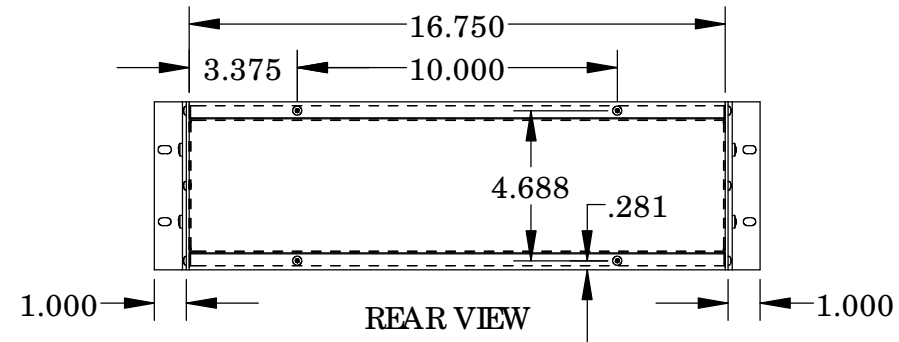
# VALU/ LINE SERIES C CABINET

PART No.

## NHC-14156

REVISION DATE

11-1-07



### MATERIAL:

BACK & COVERS \_\_\_\_\_ 0.050 THICK ALUMINUM  
 SIDES & INNER BRACKETS \_\_\_\_\_ 0.090 THICK ALUMINUM  
 FRONT PANEL \_\_\_\_\_ 0.125 THICK ALUMINUM  
 OUTER BRACKETS \_\_\_\_\_ 11 GA. C.R.S.

### FINISH:

BACK & COVERS \_\_\_\_\_ PREPAINTED SMOOTH WHITE  
 SIDES & OUTER BRACKETS \_\_\_\_\_ WHITE TEXTURED  
 FRONT PANEL \_\_\_\_\_ NATURAL (OUTSIDE SURFACE TAPED WITH PVC)  
 INNER BRACKETS \_\_\_\_\_ NATURAL  
 FEET \_\_\_\_\_ BLACK

UNIT SHIPPED UNASSEMBLED.

OUTER BRACKETS FOR MOUNTING IN STANDARD 19" WIDE CABINETS.

OPTIONAL SELF-ADHESIVE RUBBER FEET (SUPPLIED)

LOAD RATING: 25 LBS. MAX.

