



Chipsmall Limited consists of a professional team with an average of over 10 year of expertise in the distribution of electronic components. Based in Hongkong, we have already established firm and mutual-benefit business relationships with customers from,Europe,America and south Asia,supplying obsolete and hard-to-find components to meet their specific needs.

With the principle of “Quality Parts,Customers Priority,Honest Operation,and Considerate Service”,our business mainly focus on the distribution of electronic components. Line cards we deal with include Microchip,ALPS,ROHM,Xilinx,Pulse,ON,Everlight and Freescale. Main products comprise IC,Modules,Potentiometer,IC Socket,Relay,Connector.Our parts cover such applications as commercial,industrial, and automotives areas.

We are looking forward to setting up business relationship with you and hope to provide you with the best service and solution. Let us make a better world for our industry!



Contact us

Tel: +86-755-8981 8866 Fax: +86-755-8427 6832

Email & Skype: info@chipsmall.com Web: www.chipsmall.com

Address: A1208, Overseas Decoration Building, #122 Zhenhua RD., Futian, Shenzhen, China



NHD-0220AZ-FL-GBW

Character Liquid Crystal Display Module

NHD- Newhaven Display
0220- 2 lines x 20 characters
AZ- Model
F- Transflective
L- Yellow/Green LED Backlight
G- STN- Gray
B- 6:00 view
W- Wide Temperature (-20°C~+70°C)
RoHS Compliant

Newhaven Display International, Inc.

2511 Technology Drive, Suite 101

Elgin IL, 60124

Ph: 847-844-8795

Fax: 847-844-8796

www.newhavendisplay.com

nhtech@newhavendisplay.com

nhsales@newhavendisplay.com

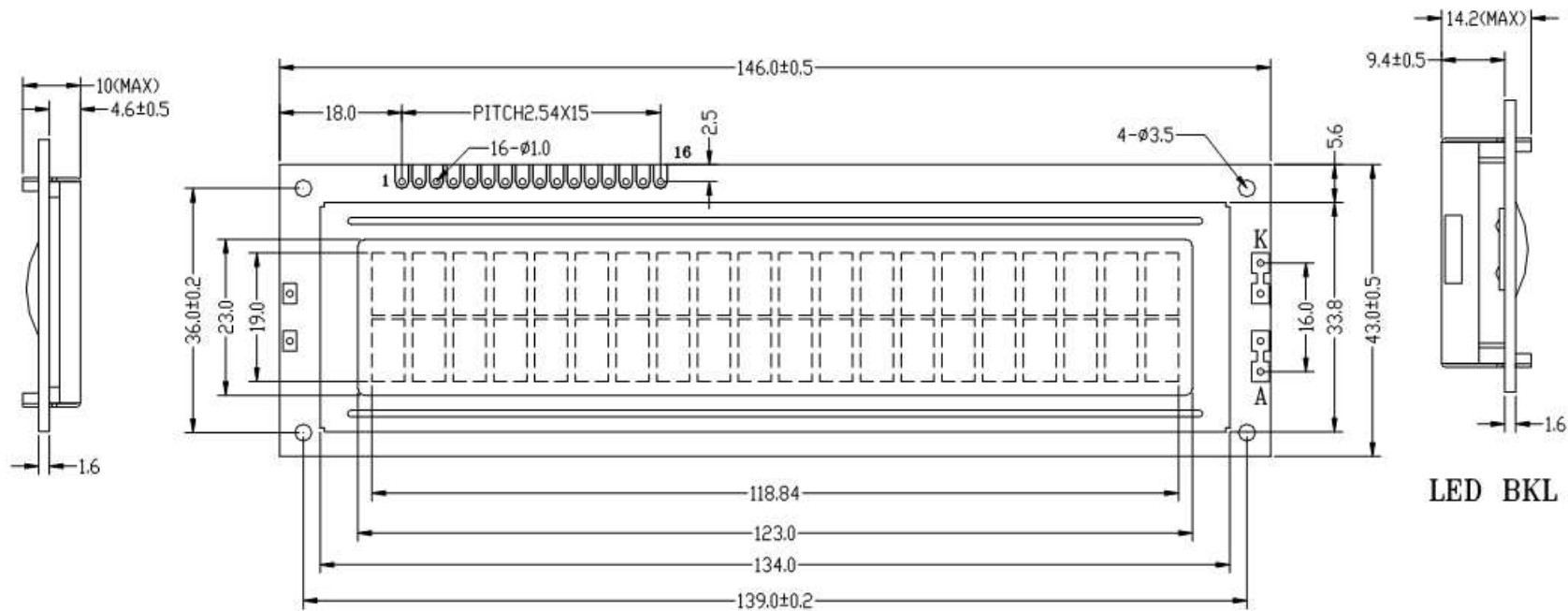
Document Revision History

| Revision | Date | Description | Changed by |
|----------|------------|---------------------|------------|
| 0 | 10/11/2007 | Initial Release | - |
| 1 | 2/8/2010 | User Guide Reformat | BE |
| | | | |
| | | | |

Functions and Features

- 2 lines x 20 characters
- Built-in controller (SPLC780D or equivalent)
- +5.0V Power Supply
- 1/16 duty, 1/5 bias
- RoHS compliant

Mechanical Drawing

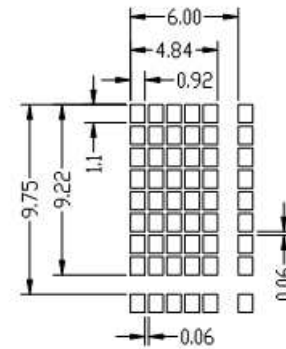


LED BKL

| Pin | Symbol |
|-----|--------|
| 1 | VSS |
| 2 | VDD |
| 3 | V0 |
| 4 | RS |
| 5 | R/W |
| 6 | E |
| 7 | DB0 |
| 8 | DB1 |
| 9 | DB2 |
| 10 | DB3 |
| 11 | DB4 |
| 12 | DB5 |
| 13 | DB6 |
| 14 | DB7 |
| 15 | LED+ |
| 16 | LED- |

Features:

1. 2-line x 20 character display; 5 x 8 dots with cursor
2. Built-in controller (SPLC780D or Equivalent)
3. +5V power supply
4. 1/16 duty cycle; 1/5 bias
5. STN- Gray; positive; Transflective
6. Backlight: Yellow/Green



Newhaven Display

Part No. NHD-0220AZ-FL-GBW

Pin Description and Wiring Diagram

| Pin No. | Symbol | External Connection | Function Description |
|---------|-----------|---------------------|---|
| 1 | VSS | Power Supply | Ground |
| 2 | VDD | Power Supply | Supply Voltage for logic (+5.0V) |
| 3 | VO | Adj Power Supply | Power supply for contrast (approx. 0.4V) |
| 4 | RS | MPU | Register select signal. RS=0: Command, RS=1: Data |
| 5 | R/W | MPU | Read/Write select signal, R/W=1: Read R/W: =0: Write |
| 6 | E | MPU | Operation enable signal. Falling edge triggered. |
| 7-10 | DB0 – DB3 | MPU | Four low order bi-directional three-state data bus lines. These four are not used during 4-bit operation. |
| 11-14 | DB4 – DB7 | MPU | Four high order bi-directional three-state data bus lines. |
| 15 | LED+ | Power Supply | Power supply for LED Backlight (+5.0V via on-board resistor) |
| 16 | LED- | Power Supply | Ground for Backlight |

Recommended LCD connector: 2.54mm pitch pins

Backlight connector: --- Mates with: ---



Electrical Characteristics

| Item | Symbol | Condition | Min. | Typ. | Max. | Unit |
|-----------------------------|--------|-------------------|------|------|------|------|
| Operating Temperature Range | Top | Absolute Max | -20 | - | +70 | °C |
| Storage Temperature Range | Tst | Absolute Max | -30 | - | +80 | °C |
| Supply Voltage | VDD | | 4.7 | 5.0 | 5.5 | V |
| Supply Current | IDD | Ta=25°C, VDD=5.0V | - | 1.5 | 2.5 | mA |
| Supply for LCD (contrast) | VDD-V0 | Ta=25°C | - | 4.6 | - | V |
| "H" Level input | Vih | | 2.2 | - | VDD | V |
| "L" Level input | Vil | | 0 | - | 0.6 | V |
| "H" Level output | Voh | | 2.4 | - | - | V |
| "L" Level output | Vol | | - | - | 0.4 | V |
| | | | | | | |
| Backlight Supply Voltage | Vled | - | - | 5.0 | - | V |
| Backlight Supply Current | Iled | Vled=5.0V | - | 150 | 300 | mA |

Optical Characteristics

| Item | Symbol | Condition | Min. | Typ. | Max. | Unit |
|------------------------------------|--------|-----------|------|------|------|------|
| Viewing Angle – Vertical (top) | AV | Cr ≥ 2 | - | 25 | - | ° |
| Viewing Angle – Vertical (bottom) | AV | Cr ≥ 2 | - | 70 | - | ° |
| Viewing Angle – Horizontal (left) | AH | Cr ≥ 2 | - | 30 | - | ° |
| Viewing Angle – Horizontal (right) | AH | Cr ≥ 2 | - | 30 | - | ° |
| Contrast Ratio | Cr | | - | 2 | - | - |
| Response Time (rise) | Tr | - | - | 120 | 150 | ms |
| Response Time (fall) | Tf | - | - | 120 | 150 | ms |

Controller Information

Built-in SPLC780D. Download specification at http://www.newhavendisplay.com/app_notes/SPLC780D.pdf

Table of Commands

| Instruction | Instruction Code | | | | | | | | | | Description | Execution time (fosc=270KHz) |
|------------------------------------|------------------|-----|-----|-----|-----|-----|-----|-----|-----|-----|--|---------------------------------|
| | RS | R/W | DB7 | DB6 | DB5 | DB4 | DB3 | DB2 | DB1 | DB0 | | |
| Clear Display | 0 | 0 | 0 | 0 | 0 | 0 | 0 | 0 | 0 | 1 | Write "20H" to DDRAM and set DDRAM address to "00H" from AC | 1.52ms |
| Return Home | 0 | 0 | 0 | 0 | 0 | 0 | 0 | 0 | 1 | - | Set DDRAM address to "00H" from AC and return cursor to its original position if shifted. The contents of DDRAM are not changed. | 1.52ms |
| Entry Mode Set | 0 | 0 | 0 | 0 | 0 | 0 | 0 | 1 | I/D | S | Assign cursor moving direction and enable the shift of entire display | 38μs |
| Display ON/OFF Control | 0 | 0 | 0 | 0 | 0 | 0 | 1 | D | C | B | Set display(D), cursor(C), and blinking of cursor(B) on/off control bit. | 38μs |
| Cursor or Display Shift | 0 | 0 | 0 | 0 | 0 | 1 | S/C | R/L | - | - | Set cursor moving and display shift control bit, and the direction, without changing of DDRAM data. | 38μs |
| Function Set | 0 | 0 | 0 | 0 | 1 | DL | N | F | - | - | Set interface data length (DL: 8bit/4-bit), numbers of display line (N: 2-line/1-line) and, display font type (F:5x10 dots/5x8 dots) | 38μs |
| Set CGRAM Address | 0 | 0 | 0 | 1 | AC5 | AC4 | AC3 | AC2 | AC1 | AC0 | Set CGRAM address in address counter. | 38μs |
| Set DDRAM Address | 0 | 0 | 1 | AC6 | AC5 | AC4 | AC3 | AC2 | AC1 | AC0 | Set DDRAM address in counter | 38μs |
| Read Busy Flag and Address Counter | 0 | 1 | BF | AC6 | AC5 | AC4 | AC3 | AC2 | AC1 | AC0 | Whether during internal operation or not can be known by reading BF. The contents of address counter can also be read. | |
| Write Data to RAM | 1 | 0 | D7 | D6 | D5 | D4 | D3 | D2 | D1 | D0 | Write data into internal RAM (DDRAM/CGRAM). | 38μs |
| Read Data from RAM | 1 | 1 | D7 | D6 | D5 | D4 | D3 | D2 | D1 | D0 | Read data from internal RAM (DDRAM/CGRAM). | 38μs |

Display character address code:

| 1 | 2 | 3 | 4 | 5 | 6 | 7 | 8 | 9 | 10 | 11 | 12 | 13 | 14 | 15 | 16 | 17 | 18 | 19 | 20 |
|----|----|----|----|----|----|----|----|----|----|----|----|----|----|----|----|----|----|----|----|
| 00 | 01 | 02 | 03 | 04 | 05 | 06 | 07 | 08 | 09 | 0A | 0B | 0C | 0D | 0E | 0F | 20 | 21 | 22 | 23 |
| 40 | 41 | 42 | 43 | 44 | 45 | 46 | 47 | 48 | 49 | 4A | 4B | 4C | 4D | 4E | 4F | 50 | 51 | 52 | 53 |

Timing Characteristics

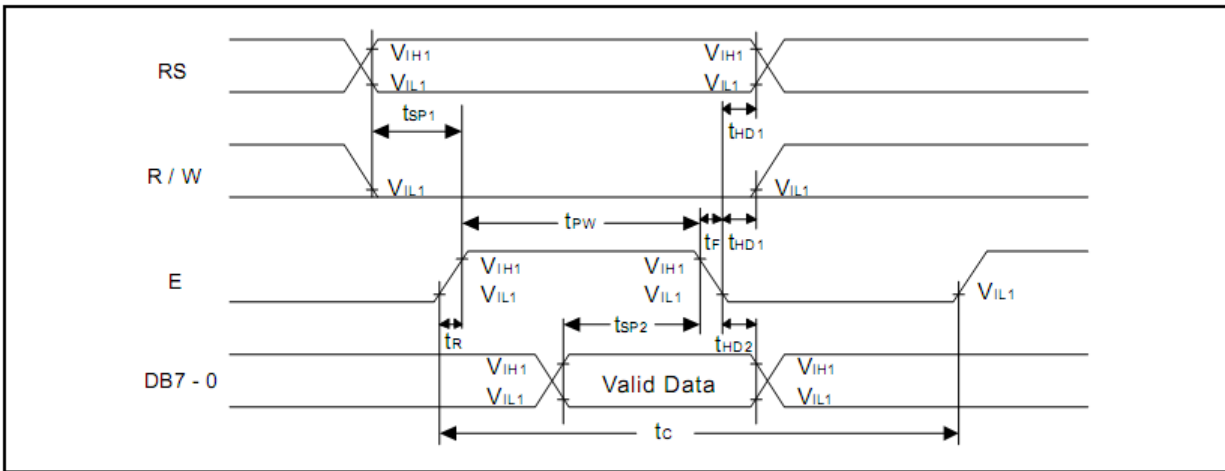
6.5.3. Write mode (Writing Data from MPU to SPLC780D)

| Characteristics | Symbol | Limit | | | Unit | Test Condition |
|--------------------|------------|-------|------|------|------|------------------|
| | | Min. | Typ. | Max. | | |
| E Cycle Time | t_c | 500 | - | - | ns | Pin E |
| E Pulse Width | t_{PW} | 230 | - | - | ns | Pin E |
| E Rise/Fall Time | t_R, t_F | - | - | 20 | ns | Pin E |
| Address Setup Time | t_{SP1} | 40 | - | - | ns | Pins: RS, R/W, E |
| Address Hold Time | t_{HD1} | 10 | - | - | ns | Pins: RS, R/W, E |
| Data Setup Time | t_{SP2} | 80 | - | - | ns | Pins: DB0 - DB7 |
| Data Hold Time | t_{HD2} | 10 | - | - | ns | Pins: DB0 - DB7 |

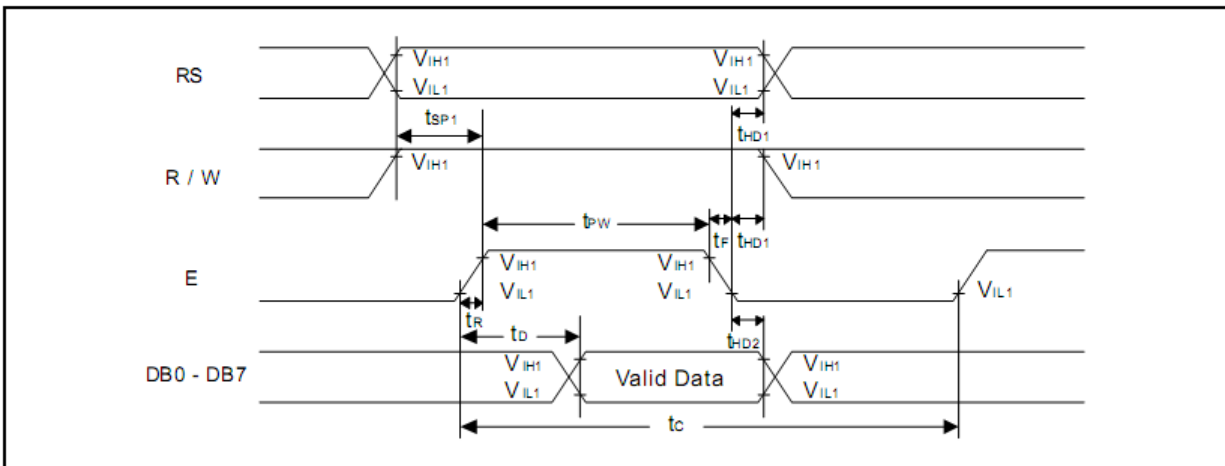
6.5.4. Read mode (Reading Data from SPLC780D to MPU)

| Characteristics | Symbol | Limit | | | Unit | Test Condition |
|------------------------|------------|-------|------|------|------|------------------|
| | | Min. | Typ. | Max. | | |
| E Cycle Time | t_c | 500 | - | - | ns | Pin E |
| E Pulse Width | t_W | 230 | - | - | ns | Pin E |
| E Rise/Fall Time | t_R, t_F | - | - | 20 | ns | Pin E |
| Address Setup Time | t_{SP1} | 40 | - | - | ns | Pins: RS, R/W, E |
| Address Hold Time | t_{HD1} | 10 | - | - | ns | Pins: RS, R/W, E |
| Data Output Delay Time | t_D | - | - | 120 | ns | Pins: DB0 - DB7 |
| Data hold time | t_{HD2} | 5.0 | - | - | ns | Pin DB0 - DB7 |

6.5.6. Write mode timing diagram (Writing Data from MPU to SPLC780D)



6.5.7. Read mode timing diagram (Reading Data from SPLC780D to MPU)



Built-in Font Table

| Lower 4 Bits \ Upper 4 Bits | 0000 | 0001 | 0010 | 0011 | 0100 | 0101 | 0110 | 0111 | 1000 | 1001 | 1010 | 1011 | 1100 | 1101 | 1110 | 1111 |
|-----------------------------|------------|------|------|------|------|------|------|------|------|------|------|------|------|------|------|------|
| xxxx0000 | CG RAM (1) | | | 0 | a | P | ` | P | | | | - | タ | ミ | & | P |
| xxxx0001 | (2) | | ! | 1 | A | Q | a | q | | | 。 | ア | チ | △ | ü | q |
| xxxx0010 | (3) | | " | 2 | B | R | b | r | | | 「 | イ | ツ | × | ß | θ |
| xxxx0011 | (4) | | # | 3 | C | S | c | s | | | 」 | ウ | テ | モ | ε | ε |
| xxxx0100 | (5) | | \$ | 4 | D | T | d | t | | | 、 | エ | ト | ト | μ | Ω |
| xxxx0101 | (6) | | % | 5 | E | U | e | u | | | ・ | オ | ナ | 1 | ε | ü |
| xxxx0110 | (7) | | & | 6 | F | V | f | v | | | ヲ | カ | ニ | ヨ | ρ | Σ |
| xxxx0111 | (8) | | ' | 7 | G | W | g | w | | | ア | キ | ヌ | ラ | g | π |
| xxxx1000 | (1) | | < | 8 | H | X | h | x | | | イ | ク | ネ | リ | √ | × |
| xxxx1001 | (2) | | > | 9 | I | Y | i | y | | | ウ | ケ | ル | ル | ˆ | γ |
| xxxx1010 | (3) | | * | : | J | Z | j | z | | | エ | コ | ハ | レ | j | ≠ |
| xxxx1011 | (4) | | + | ; | K | [| k | [| | | オ | サ | ヒ | ロ | * | ≠ |
| xxxx1100 | (5) | | , | < | L | ¥ | l | l | | | カ | シ | フ | ク | φ | ≠ |
| xxxx1101 | (6) | | - | = | M |] | m |] | | | ユ | ス | ハ | ン | も | ÷ |
| xxxx1110 | (7) | | . | > | N | ^ | n | → | | | ヨ | セ | ホ | ° | ñ | |
| xxxx1111 | (8) | | / | ? | O | _ | o | ← | | | ッ | リ | マ | ° | ö | ■ |

Example Initialization Program

8-bit Initialization:

```

/*****/
void command(char i)
{
    P1 = i;                //put data on output Port
    D_I =0;                //D/I=LOW : send instruction
    R_W =0;                //R/W=LOW : Write
    E = 1;
    Delay(1);              //enable pulse width >= 300ns
    E = 0;                 //Clock enable: falling edge
}
/*****/
void write(char i)
{
    P1 = i;                //put data on output Port
    D_I =1;                //D/I=LOW : send data
    R_W =0;                //R/W=LOW : Write
    E = 1;
    Delay(1);              //enable pulse width >= 300ns
    E = 0;                 //Clock enable: falling edge
}
/*****/
void init()
{
    E = 0;
    Delay(100);            //Wait >15 msec after power is applied
    command(0x30);         //command 0x30 = Wake up
    Delay(30);             //must wait 5ms, busy flag not available
    command(0x30);         //command 0x30 = Wake up #2
    Delay(10);             //must wait 160us, busy flag not available
    command(0x30);         //command 0x30 = Wake up #3
    Delay(10);             //must wait 160us, busy flag not available
    command(0x38);         //Function set: 8-bit/2-line
    command(0x10);         //Set cursor
    command(0x0c);         //Display ON; Cursor ON
    command(0x06);         //Entry mode set
}
/*****/
```

4-bit Initialization:

```

/*****/
void command(char i)
{
    P1 = i;                //put data on output Port
    D_I =0;               //D/I=LOW : send instruction
    R_W =0;               //R/W=LOW : Write
    Nybble();             //Send lower 4 bits
    i = i<<4;             //Shift over by 4 bits
    P1 = i;                //put data on output Port
    Nybble();             //Send upper 4 bits
}
/*****/
void write(char i)
{
    P1 = i;                //put data on output Port
    D_I =1;               //D/I=HIGH : send data
    R_W =0;               //R/W=LOW : Write
    Nybble();             //Clock lower 4 bits
    i = i<<4;             //Shift over by 4 bits
    P1 = i;                //put data on output Port
    Nybble();             //Clock upper 4 bits
}
/*****/
void Nybble()
{
    E = 1;
    Delay(1);              //enable pulse width >= 300ns
    E = 0;                 //Clock enable: falling edge
}
/*****/
void init()
{
    P1 = 0;
    P3 = 0;
    Delay(100);            //Wait >15 msec after power is applied
    P1 = 0x30;             //put 0x30 on the output port
    Delay(30);             //must wait 5ms, busy flag not available
    Nybble();              //command 0x30 = Wake up
    Delay(10);             //must wait 160us, busy flag not available
    Nybble();              //command 0x30 = Wake up #2
    Delay(10);             //must wait 160us, busy flag not available
    Nybble();              //command 0x30 = Wake up #3
    Delay(10);             //can check busy flag now instead of delay
    P1= 0x20;              //put 0x20 on the output port
    Nybble();              //Function set: 4-bit interface
    command(0x28);         //Function set: 4-bit/2-line
    command(0x10);         //Set cursor
    command(0x0F);         //Display ON; Blinking cursor
    command(0x06);         //Entry Mode set
}
/*****/

```

Quality Information

| Test Item | Content of Test | Test Condition | Note |
|---------------------------------------|---|---|------|
| High Temperature storage | Endurance test applying the high storage temperature for a long time. | +80°C , 48hrs | 2 |
| Low Temperature storage | Endurance test applying the low storage temperature for a long time. | -30°C , 48hrs | 1,2 |
| High Temperature Operation | Endurance test applying the electric stress (voltage & current) and the high thermal stress for a long time. | +70°C 48hrs | 2 |
| Low Temperature Operation | Endurance test applying the electric stress (voltage & current) and the low thermal stress for a long time. | -20°C , 48hrs | 1,2 |
| High Temperature / Humidity Operation | Endurance test applying the electric stress (voltage & current) and the high thermal with high humidity stress for a long time. | +40°C , 90% RH , 48hrs | 1,2 |
| Thermal Shock resistance | Endurance test applying the electric stress (voltage & current) during a cycle of low and high thermal stress. | 0°C,30min -> 25°C,5min -> 50°C,30min = 1 cycle 10 cycles | |
| Vibration test | Endurance test applying vibration to simulate transportation and use. | 10-55Hz , 15mm amplitude. 60 sec in each of 3 directions X,Y,Z For 15 minutes | 3 |
| Static electricity test | Endurance test applying electric static discharge. | VS=800V, RS=1.5kΩ, CS=100pF One time | |

Note 1: No condensation to be observed.

Note 2: Conducted after 4 hours of storage at 25°C, 0%RH.

Note 3: Test performed on product itself, not inside a container.

Precautions for using LCDs/LCMs

See Precautions at www.newhavendisplay.com/specs/precautions.pdf

Warranty Information and Terms & Conditions

http://www.newhavendisplay.com/index.php?main_page=terms