



Chipsmall Limited consists of a professional team with an average of over 10 year of expertise in the distribution of electronic components. Based in Hongkong, we have already established firm and mutual-benefit business relationships with customers from,Europe,America and south Asia,supplying obsolete and hard-to-find components to meet their specific needs.

With the principle of “Quality Parts,Customers Priority,Honest Operation,and Considerate Service”,our business mainly focus on the distribution of electronic components. Line cards we deal with include Microchip,ALPS,ROHM,Xilinx,Pulse,ON,Everlight and Freescale. Main products comprise IC,Modules,Potentiometer,IC Socket,Relay,Connector.Our parts cover such applications as commercial,industrial, and automotives areas.

We are looking forward to setting up business relationship with you and hope to provide you with the best service and solution. Let us make a better world for our industry!



## Contact us

Tel: +86-755-8981 8866 Fax: +86-755-8427 6832

Email & Skype: info@chipsmall.com Web: www.chipsmall.com

Address: A1208, Overseas Decoration Building, #122 Zhenhua RD., Futian, Shenzhen, China



# NHD-1.69-160128UGC3

## Graphic Color OLED Display Module

NHD-	Newhaven Display
1.69-	1.69" Diagonal Size
160128-	160 x 128 Pixels
UG-	Model
C-	Full Color
3-	+3V Power Supply

### Newhaven Display International, Inc.

2661 Galvin Ct.

Elgin IL, 60124

Ph: 847-844-8795

Fax: 847-844-8796

[www.newhavendisplay.com](http://www.newhavendisplay.com)

[nhtech@newhavendisplay.com](mailto:nhtech@newhavendisplay.com)

[nhsales@newhavendisplay.com](mailto:nhsales@newhavendisplay.com)

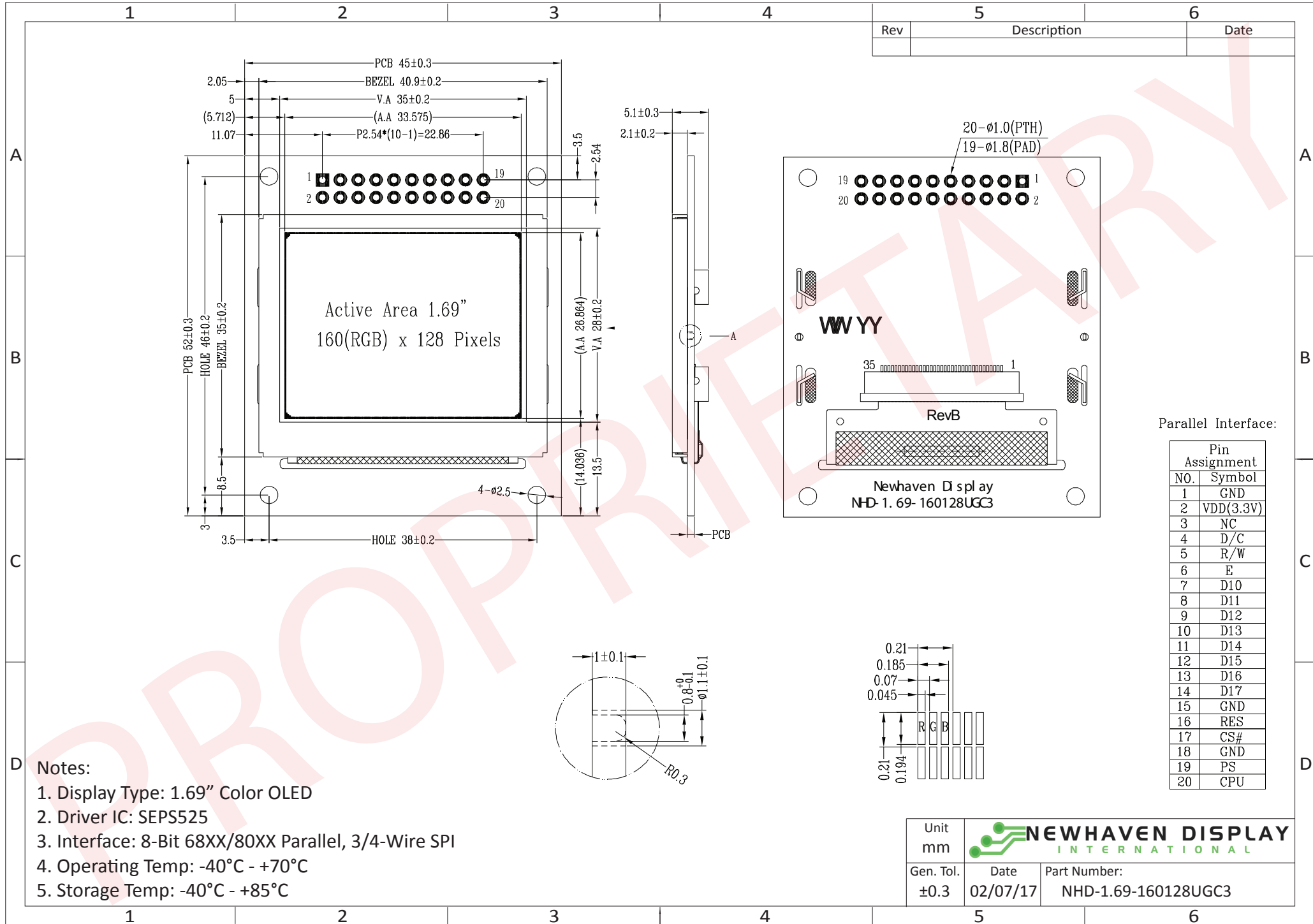
## Document Revision History

Revision	Date	Description	Changed by
0	3/23/2014	Initial Release	AK
1	5/1/2015	Interface Description Updated	PB
2	10/20/15	Mechanical Drawing Updated	SB
3	2/22/17	Thru-Hole Diameter Increased, Temperature Updated	SB

## Functions and Features

- 160 x 128 pixel resolution
- Built-in SEPS525 controller
- Parallel or Serial MPU interface
- Single, low voltage power supply
- RoHS compliant

# Mechanical Drawing



The information contained herein is the exclusive property of Newhaven Display International, Inc. and shall not be copied, reproduced, and/or disclosed in any format without permission.

# Interface Description

## Parallel Interface:

Pin No.	Symbol	External Connection	Function Description
1	GND	Power Supply	Ground
2	V <sub>DD</sub>	Power Supply	Supply Voltage for OLED and logic.
3	NC	-	No Connect
4	D/C	MPU	Register select signal. D/C=0: Command, D/C=1: Data
5	R/W or /WR	MPU	<b>6800-interface:</b> Read/Write select signal, R/W=1: Read R/W: =0: Write <b>8080-interface:</b> Active LOW Write signal.
6	E or /RD	MPU	<b>6800-interface:</b> Operation enable signal. Falling edge triggered. <b>8080-interface:</b> Active LOW Read signal.
7-14	DB10 – DB17	MPU	8-bit Bi-directional data bus lines.
15	GND	Power Supply	Ground
16	/RES	MPU	Active LOW Reset signal.
17	/CS	MPU	Active LOW Chip Select signal.
18	GND	Power Supply	Ground
19	PS	MPU	Parallel/Serial select. HIGH: Parallel. LOW: Serial
20	CPU	MPU	Interface select. HIGH: 6800 interface. LOW: 8080 interface

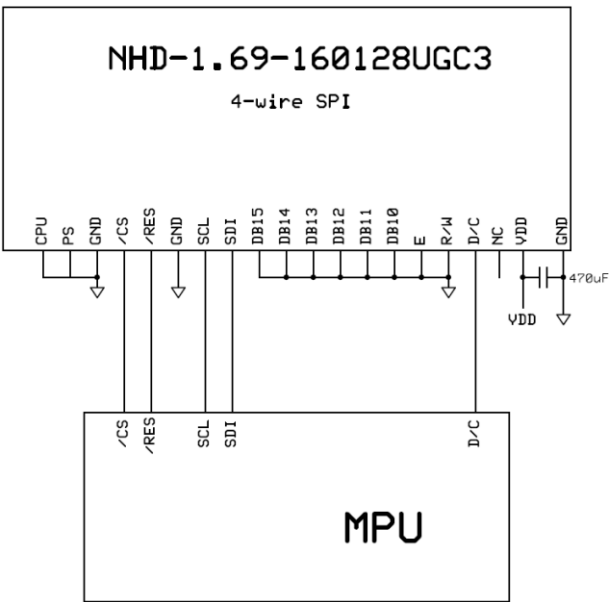
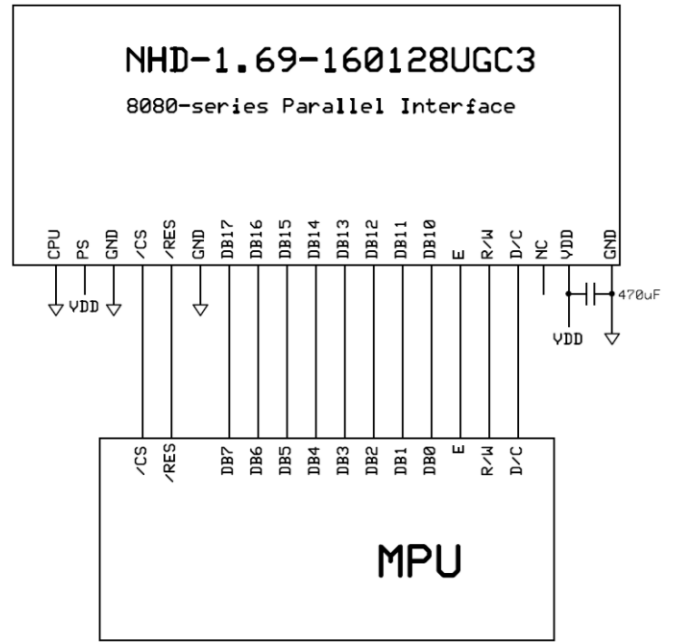
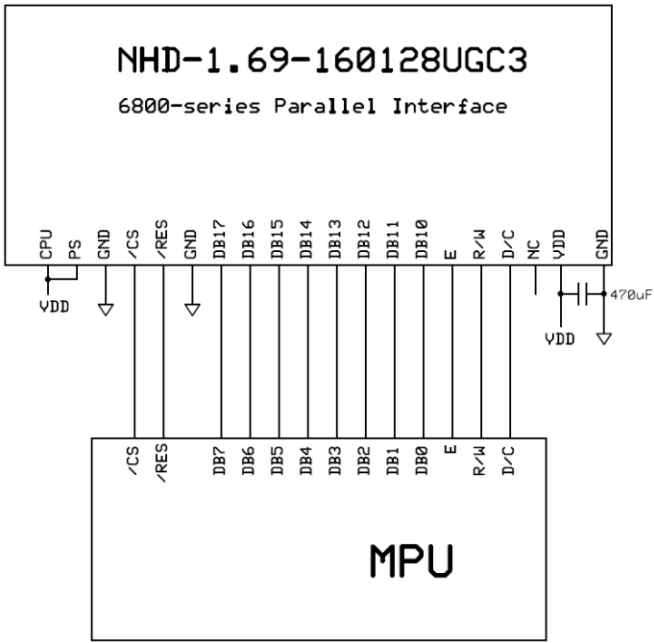
## Serial Interface:

Pin No.	Symbol	External Connection	Function Description
1	GND	Power Supply	Ground
2	V <sub>DD</sub>	Power Supply	Supply Voltage for OLED and logic.
3	NC	-	No Connect
4	D/C	MPU	Register select signal. D/C=0: Command, D/C=1: Data
5-6	VSS	Power Supply	Ground
7-12	GND	Power Supply	Ground
13	SDI	MPU	Serial Data Input signal.
14	SCL	MPU	Serial Clock signal.
15	GND	Power Supply	Ground
16	/RES	MPU	Active LOW Reset signal.
17	/CS	MPU	Active LOW Chip Select signal.
18	GND	Power Supply	Ground
19	PS	MPU	Parallel/Serial select. HIGH: Parallel. LOW: Serial
20	CPU	MPU	Interface select. HIGH: 6800 interface. LOW: 8080 interface

## MPU Interface Pin Assignment Summary

Bus Interface	Data/Command Interface								Control Signals				
	D17	D16	D15	D14	D13	D12	D11	D10	E	R/W	/CS	D/C	/RES
8-bit 6800	D[17:10]								E	R/W	/CS	D/C	/RES
8-bit 8080	D[17:10]								/RD	/WR	/CS	D/C	/RES
4-wire SPI	SCL	SDI	Tie LOW								/CS	D/C	/RES

# Wiring Diagrams



## Electrical Characteristics

Item	Symbol	Condition	Min.	Typ.	Max.	Unit
Operating Temperature Range	$T_{OP}$	Absolute Max	-40	-	+70	°C
Storage Temperature Range	$T_{ST}$	Absolute Max	-40	-	+85	°C
Supply Voltage	$V_{DD}$	-	2.6	2.8	3.3	V
Supply Current (logic)	$I_{DD}$	$V_{DD}=2.8V$ $T_{OP} = 25^{\circ}C$	-	6	12	mA
Supply Current (display)	$I_{CC}$		-	180	330	mA
Sleep Mode Current	$I_{DD}+I_{CC\_SLEEP}$		-	2	10	mA
"H" Level input	$V_{IH}$		$0.8 * V_{DD}$	-	$V_{DD}$	V
"L" Level input	$V_{IL}$		GND	-	0.4	V
"H" Level output	$V_{OH}$		$V_{DD} - 0.4$	-	$V_{DD}$	V
"L" Level output	$V_{OL}$		GND	-	0.4	V

## Optical Characteristics

Item	Symbol	Condition	Min.	Typ.	Max.	Unit
Optimal Viewing Angles	Top	-	80	-	-	°
	Bottom		80	-	-	°
	Left		80	-	-	°
	Right		80	-	-	°
Contrast Ratio	CR	-	-	2000:1	-	-
Response Time	Rise	$T_{OP} = 25^{\circ}C$	-	10	-	$\mu s$
	Fall		$T_F$	-	10	-
Brightness	$L_V$	50% Checkerboard	70	90	-	$cd/m^2$
Lifetime	-	90 $cd/m^2$ , $T_{OP} = 25^{\circ}C$ , 50% Checkerboard	10,000	-	-	Hrs.

**Note:** Lifetime at typical temperature is based on accelerated high-temperature operation. Lifetime is tested at average 50% pixels on and is rated as Hours until **Half-Brightness**. The Display OFF command can be used to extend the lifetime of the display.

Luminance of active pixels will degrade faster than inactive pixels. Residual (burn-in) images may occur. To avoid this, every pixel should be illuminated uniformly.

## Controller information

Built-in SEPS525 Controller.

Please download specification at [www.newhavendisplay.com/app\\_notes/SEPS525.pdf](http://www.newhavendisplay.com/app_notes/SEPS525.pdf)

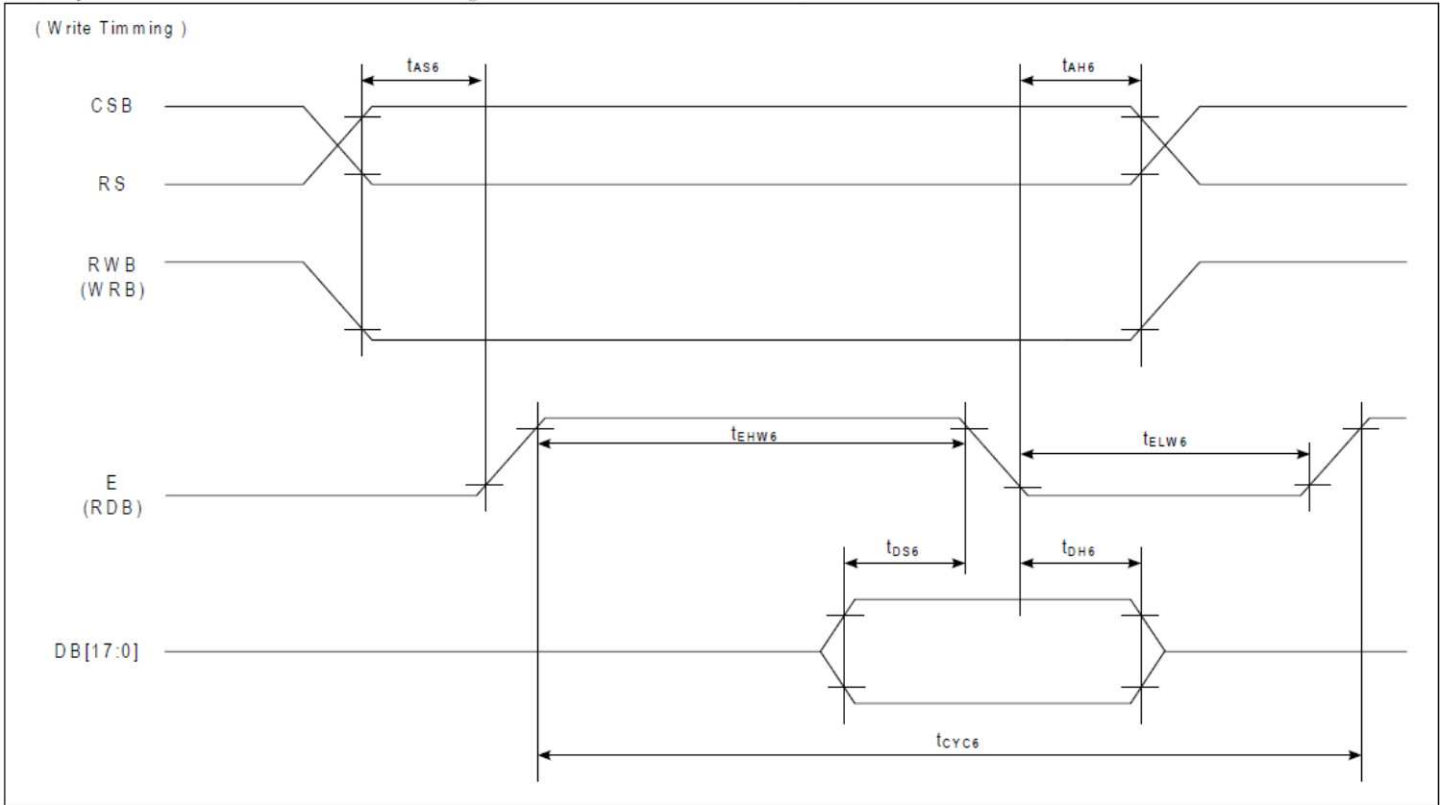
# Table of Commands

ADDR	RW	IB7	IB6	IB5	IB4	IB3	IB2	IB1	IB0	Description	Default
00h	R	IDX7	IDX6	IDX5	IDX4	IDX3	IDX2	IDX1	IDX0	INDEX	00h
01h	R	HC	VC	HV	SWAP	RD	CD	DC1	DC0	STATUS_RD	C0h
02h	R/W	SELEXP	SELRES	-	-	-	-	SELCLK	OSCD6B	OSC_CTL	C0h
80h	R/W	-	-	-	-	-	-	-	IREF	IREF	00h
03h	R/W	FR3	FR2	FR1	FR0	DFR3	DFR2	DFR1	DFR0	CLOCK_DIV	30h
04h	R/W	-	-	-	-	-	RC	OSCP5	PS	REDUCE_CURRENT	00h
05h	R/W	-	-	-	-	-	-	-	SRN	SOFT_RST	00h
06h	R/W	PREM	-	-	-	-	-	-	DON	DISP_ON_OFF	00h
08h	R/W	-	-	-	-	PTR3	PTR2	PTR1	PTR0	PRECHARGE_TIME_R	00h
09h	R/W	-	-	-	-	PTG3	PTG2	PTG1	PTG0	PRECHARGE_TIME_G	00h
0Ah	R/W	-	-	-	0	PTB3	PTB2	PTB1	PTB0	PRECHARGE_TIME_B	00h
0Bh	R/W	PCR7	PCR6	PCR5	PCR4	PCR3	PCR2	PCR1	PCR0	PRECHARGE_CURRENT_R	00h
0Ch	R/W	PCG7	PCG6	PCG5	PCG4	PCG3	PCG2	PCG1	PCG0	PRECHARGE_CURRENT_G	00h
0Dh	R/W	PCB7	PCB6	PCB5	PCB4	PCB3	PCB2	PCB1	PCB0	PRECHARGE_CURRENT_B	00h
10h	R/W	DCR7	DCR6	DCR5	DCR4	DCR3	DCR2	DCR1	DCR0	DRIVING_CURRENT_R	00h
11h	R/W	DCG7	DCG6	DCG5	DCG4	DCG3	DCG2	DCG1	DCG0	DRIVING_CURRENT_G	00h
12h	R/W	DCB7	DCB6	DCB5	DCB4	DCB3	DCB2	DCB1	DCB0	DRIVING_CURRENT_B	00h
13h	R/W	SWAP	SM	RD	CD	-	SPT	DC1	DC0	DISPLAY_MODE_SET	00h
14h	R/W	-	-	RIM1	RIM0	-	-	-	EDM	RGB_IF	11h
15h	R/W	RES	RES	ENP	DOP	VSYOEN	RES	RES	RES	RGB_POL	00h
16h	R/W	-	DFM1	DFM0	TRI	-	HC	VC	HV	MEMORY_WRITE_MODE	06h
17h	R/W	MX1_7	MX1_6	MX1_5	MX1_4	MX1_3	MX1_2	MX1_1	MX1_0	MX1_ADDR	00h
18h	R/W	MX2_7	MX2_6	MX2_5	MX2_4	MX2_3	MX2_2	MX2_1	MX2_0	MX2_ADDR	9Fh
19h	R/W	MY1_7	MY1_6	MY1_5	MY1_4	MY1_3	MY1_2	MY1_1	MY1_0	MY1_ADDR	00h
1Ah	R/W	MY2_7	MY2_6	MY2_5	MY2_4	MY2_3	MY2_2	MY2_1	MY2_0	MY2_ADDR	7Fh
20h	R/W	MAC7	MAC6	MAC5	MAC4	MAC3	MAC2	MAC1	MAC0	MEMORY_ACCESS_POINTER X	00h
21h	R/W	MAR7	MAR6	MAR5	MAR4	MAR3	MAR2	MAR1	MAR0	MEMORY_ACCESS_POINTER Y	00h
22h		DDRAM[17:0]								DDRAM_DATA_ACCESS_PORT	
50h	R/W	IGAMMA7	IGAMMA6	IGAMMA5	IGAMMA4	IGAMMA3	IGAMMA2	IGAMMA1	IGAMMA0	GRAY_SCALE_TABLE_INDEX	00h
51h	R/W	DGAMMA7	DGAMMA6	DGAMMA5	DGAMMA4	DGAMMA3	DGAMMA2	DGAMMA1	DGAMMA0	GRAY_SCALE_TABLE_DATA	
28h	R/W	DUTY7	DUTY6	DUTY5	DUTY4	DUTY3	DUTY2	DUTY1	DUTY0	DUTY	7Fh
29h	R/W	DSL7	DSL6	DSL5	DSL4	DSL3	DSL2	DSL1	DSL0	DSL	00h
2Eh	R/W	FAC7	FAC6	FAC5	FAC4	FAC3	FAC2	FAC1	FAC0	D1_DDRAM_FAC	00h
2Fh	R/W	FAR7	FAR6	FAR5	FAR4	FAR3	FAR2	FAR1	FAR0	D1_DDRAM_FAR	00h
31h	R/W	SAC7	SAC6	SAC5	SAC4	SAC3	SAC2	SAC1	SAC0	D2_DDRAM_SAC	00h
32h	R/W	SAR7	SAR6	SAR5	SAR4	SAR3	SAR2	SAR1	SAR0	D2_DDRAM_SAR	00h
33h	R/W	FX1_7	FX1_6	FX1_5	FX1_4	FX1_3	FX1_2	FX1_1	FX1_0	SCR1_FX1	00h
34h	R/W	FX2_7	FX2_6	FX2_5	FX2_4	FX2_3	FX2_2	FX2_1	FX2_0	SCR1_FX2	9Fh
35h	R/W	FY1_7	FY1_6	FY1_5	FY1_4	FY1_3	FY1_2	FY1_1	FY1_0	SCR1_FY1	00h
36h	R/W	FY2_7	FY2_6	FY2_5	FY2_4	FY2_3	FY2_2	FY2_1	FY2_0	SCR1_FY2	7Fh
37h	R/W	SX1_7	SX1_6	SX1_5	SX1_4	SX1_3	SX1_2	SX1_1	SX1_0	SCR2_SX1	00h
38h	R/W	SX2_7	SX2_6	SX2_5	SX2_4	SX2_3	SX2_2	SX2_1	SX2_0	SCR2_SX2	9Fh
39h	R/W	SY1_7	SY1_6	SY1_5	SY1_4	SY1_3	SY1_2	SY1_1	SY1_0	SCR2_SY1	00h
3Ah	R/W	SY2_7	SY2_6	SY2_5	SY2_4	SY2_3	SY2_2	SY2_1	SY2_0	SCR2_SY2	7Fh
3Bh	R/W	-	SSA1	SSA0	-	SSC1	SSC0	-	SSM	SCREEN_SAVER_CONTEROL	00h
3Ch	R/W	SST7	SST6	SST5	SST4	SST3	SST2	SST1	SST0	SS_SLEEP_TIMER	00h
3Dh	R/W	-	-	SMS1	SMS0	-	-	SMP1	SMP0	SCREEN_SAVER_MODE	00h
3Eh	R/W	FSUT7	FSUT6	FSUT5	FSUT4	FSUT3	FSUT2	FSUT1	FSUT0	SS_SCR1_FU	00h
3Fh	R/W	-	-	-	-	FSMS3	FSMS2	FSMS1	FSMS0	SS_SCR1_MXY	00h
40h	R/W	SSUT7	SSUT6	SSUT5	SSUT4	SSUT3	SSUT2	SSUT1	SSUT0	SS_SCR2_FU	00h
41h	R/W	SSMS7	SSMS6	SSMS5	SSMS4	SSMS3	SSMS2	SSMS1	SSMS0	SS_SCR2_MXY	00h
42h	R/W	-	-	SSMD1	SSMD0	-	-	-	-	MOVING_DIRECTION	00h
47h	R/W	ISX1_7	ISX1_6	ISX1_5	ISX1_4	ISX1_3	ISX1_2	ISX1_1	ISX1_0	SS_SCR2_SX1	00h
48h	R/W	ISX2_7	ISX2_6	ISX2_5	ISX2_4	ISX2_3	ISX2_2	ISX2_1	ISX2_0	SS_SCR2_SX2	00h
49h	R/W	ISY1_7	ISY1_6	ISY1_5	ISY1_4	ISY1_3	ISY1_2	ISY1_1	ISY1_0	SS_SCR2_SY1	00h
4Ah	R/W	ISY2_7	ISY2_6	ISY2_5	ISY2_4	ISY2_3	ISY2_2	ISY2_1	ISY2_0	SS_SCR2_SY2	00h

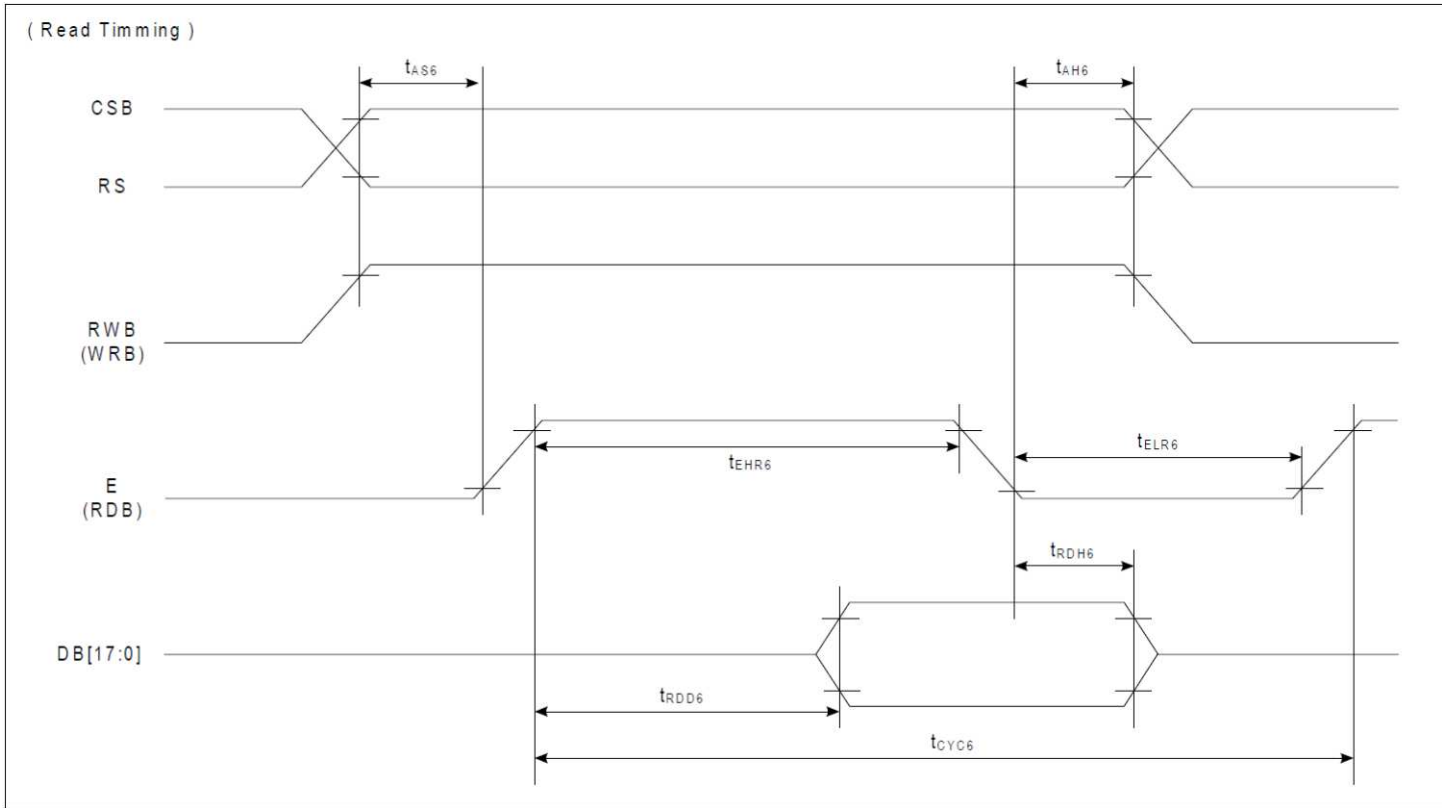


# Timing Characteristics

## 6800-Series MCU Parallel Interface:

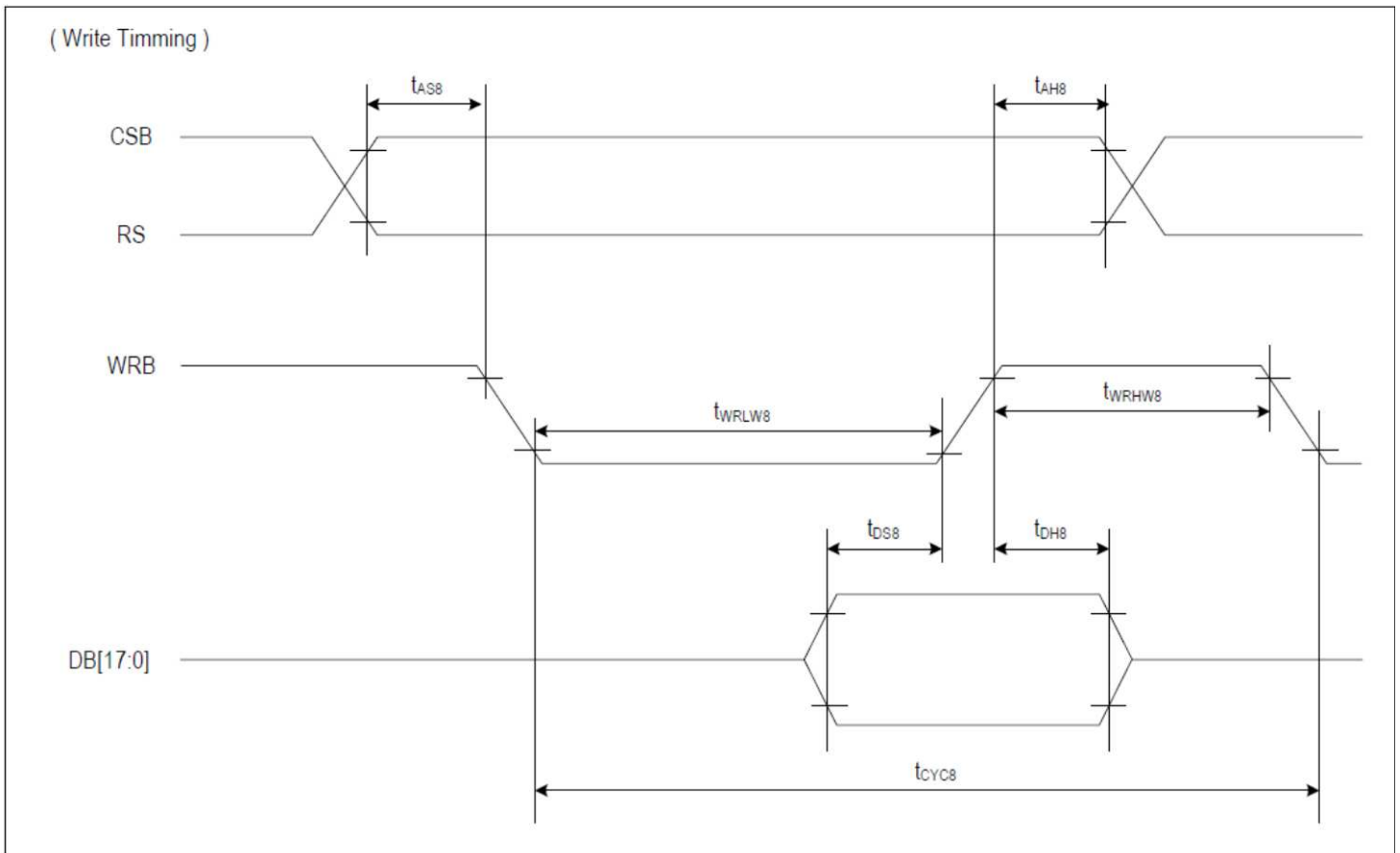


ITEM	SYMBOL	CONDITION	MIN	MAX	UNIT	PORT
Address hold timing	$t_{AH6}$	-	5	-	ns	CSB
Address setup timing	$t_{AS6}$	-	5	-	ns	RS
System cycle timing	$t_{CYC6}$	-	100	-	ns	
Write "L" pulse width	$t_{ELW6}$	-	45	-	ns	E
Write "H" pulse width	$t_{EHW6}$	-	45	-	ns	
Data setup timing	$t_{DS6}$	-	40	-	ns	DB[17:0]
Data hold timing	$t_{DH6}$	-	10	-	ns	DB[17:0]

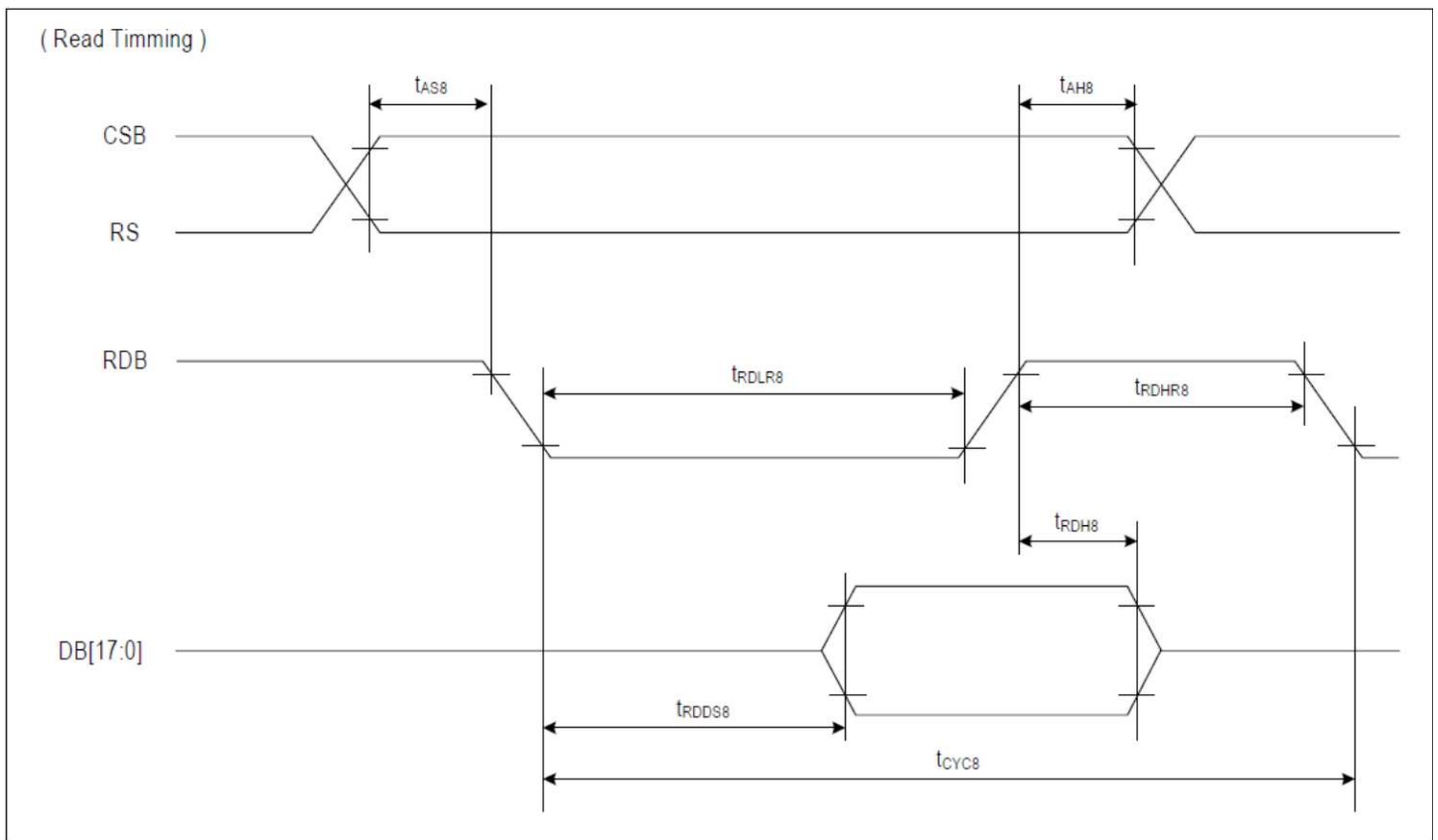


ITEM	SYMBOL	CONDITION	MIN	MAX	UNIT	PORT
Address hold timing	$t_{AH6}$	-	10	-	ns	CSB
Address setup timing	$t_{AS6}$	-	10	-	ns	RS
System cycle timing	$t_{CYC6}$	-	200	-	ns	
Read "L" pulse width	$t_{ELR6}$	-	90	-	ns	E
Read "H" pulse width	$t_{EHR6}$	-	90	-	ns	
Read data output delay time	$t_{RDD6}$	CL = 15 pF	0	70	ns	DB[17:0]
Data hold timing	$t_{RDH6}$	CL = 15 pF	0	70	ns	DB[17:0]

## 8080-Series MCU Parallel Interface:

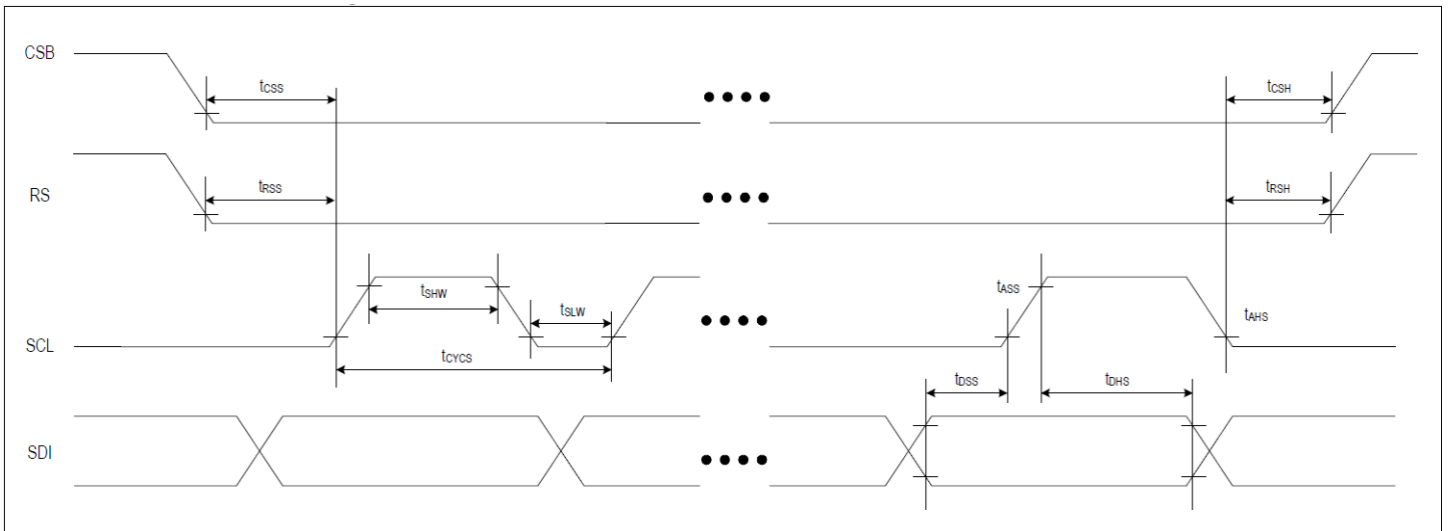


ITEM	SYMBOL	CONDITION	MIN	MAX	UNIT	PORT
Address hold timing	$t_{AH8}$	-	5	-	ns	CSB
Address setup timing	$t_{AS8}$	-	5	-	ns	RS
System cycle timing	$t_{CYC8}$	-	100	-	ns	
Write "L" pulse width	$t_{WRLW8}$	-	45	-	ns	WRB
Write "H" pulse width	$t_{WRHW8}$	-	45	-	ns	WRB
Data setup timing	$t_{DS8}$	-	30	-	ns	DB[17:0]
Data hold timing	$t_{DH8}$	-	10	-	ns	DB[17:0]



ITEM	SYMBOL	CONDITION	MIN	MAX	UNIT	PORT
Address hold timing	$t_{AH8}$	-	5	-	ns	CSB
Address setup timing	$t_{AS8}$	-	5	-	ns	RS
System cycle timing	$t_{CYC8}$	-	200	-	ns	
Read "L" pulse width	$t_{RDLR8}$	-	90	-	ns	RDB
Read "H" pulse width	$t_{RDHR8}$	-	90	-	ns	RDB
Read data output delay time	$t_{RDD8}$	CL = 15 pF	-	60	ns	DB[17:0]
Data hold timing	$t_{RDH8}$	CL = 15 pF	0	60	ns	DB[17:0]

## 4-wire SPI:



ITEM	SYMBOL	CONDITION	MIN	MAX	UNIT	PORT
Serial clock cycle	$t_{CYCS}$		100		ns	SCL
SCL "H" pulse width	$t_{SHW}$	-	45	-	ns	SCL
SCL "L" pulse width	$t_{SLW}$		45		ns	SCL
Data setup timing	$t_{DSS}$	-	5	-	ns	SDI
Data hold timing	$t_{DHS}$		5		ns	SDI
CSB-SCL timing	$t_{CSS}$	-	5	-	ns	CSB
CSB-hold timing	$t_{CSSH}$		5		ns	CSB
RS-SCL timing	$T_{RSS}$	-	5	-	ns	RS
RS-hold timing	$T_{RSH}$		5		ns	RS

## Example Initialization Sequence:

```
void oled_Data_160128RGB(unsigned char Data)
{
  GPIO_ResetBits(GPIOC, CS1);
  GPIO_SetBits(GPIOC, RS);
  GPIO_Write(GPIOB, Data);
  GPIO_ResetBits(GPIOC, RW);
  GPIO_SetBits(GPIOC, E1);
  GPIO_ResetBits(GPIOC, E1);
}

void oled_Command_160128RGB(unsigned char Data)
{
  GPIO_ResetBits(GPIOC, CS1);
  GPIO_ResetBits(GPIOC, RS);
  GPIO_Write(GPIOB, Data);
  GPIO_ResetBits(GPIOC, RW);
  GPIO_SetBits(GPIOC, E1);
  GPIO_ResetBits(GPIOC, E1);
}

void OLED_Init_160128RGB(void)
{
  int i,j;
  GPIO_ResetBits(GPIOC, RES);
  graphic_delay(500000);
  GPIO_SetBits(GPIOC, RES);
  graphic_delay(500000);

  oled_Command_160128RGB(0x04); // Set Normal Driving Current
  oled_Data_160128RGB(0x03); // Disable Oscillator Power Down
  graphic_delay(2000);

  oled_Command_160128RGB(0x04); // Enable Power Save Mode
  oled_Data_160128RGB(0x00); // Set Normal Driving Current
  graphic_delay(2000); // Disable Oscillator Power Down

  oled_Command_160128RGB(0x3B);
  oled_Data_160128RGB(0x00);

  oled_Command_160128RGB(0x02);
  oled_Data_160128RGB(0x01); // Set EXPORT1 Pin at Internal Clock
                               // Oscillator operates with external resister.
                               // Internal Oscillator On

  oled_Command_160128RGB(0x03);
  oled_Data_160128RGB(0x90); // Set Frame Rate as 120Hz
```

```

oled_Command_160128RGB(0x80);
oled_Data_160128RGB(0x01);           // Set Reference Voltage Controlled by External Resister

oled_Command_160128RGB(0x08);// Set Pre-Charge Time of Red
oled_Data_160128RGB(0x04);
oled_Command_160128RGB(0x09);// Set Pre-Charge Time of Green
oled_Data_160128RGB(0x05);
oled_Command_160128RGB(0x0A);// Set Pre-Charge Time of Blue
oled_Data_160128RGB(0x05);

oled_Command_160128RGB(0x0B);// Set Pre-Charge Current of Red
oled_Data_160128RGB(0x9D);
oled_Command_160128RGB(0x0C);// Set Pre-Charge Current of Green
oled_Data_160128RGB(0x8C);
oled_Command_160128RGB(0x0D);// Set Pre-Charge Current of Blue
oled_Data_160128RGB(0x57);

oled_Command_160128RGB(0x10);// Set Driving Current of Red
oled_Data_160128RGB(0x56);
oled_Command_160128RGB(0x11);// Set Driving Current of Green
oled_Data_160128RGB(0x4D);
oled_Command_160128RGB(0x12);// Set Driving Current of Blue
oled_Data_160128RGB(0x46);

oled_Command_160128RGB(0x13);
oled_Data_160128RGB(0xa0);           // Set Color Sequence

oled_Command_160128RGB(0x14);
oled_Data_160128RGB(0x01);           // Set MCU Interface Mode
oled_Command_160128RGB(0x16);
oled_Data_160128RGB(0x76);

oled_Command_160128RGB(0x20);
oled_Data_160128RGB(0x00);           // Shift Mapping RAM Counter
oled_Command_160128RGB(0x21);
oled_Data_160128RGB(0x00);           // Shift Mapping RAM Counter

oled_Command_160128RGB(0x28);
oled_Data_160128RGB(0x7F);           // 1/128 Duty (0x0F~0x7F)

oled_Command_160128RGB(0x29);
oled_Data_160128RGB(0x00);           // Set Mapping RAM Display Start Line (0x00~0x7F)

oled_Command_160128RGB(0x06);
oled_Data_160128RGB(0x01);           // Display On (0x00/0x01)

oled_Command_160128RGB(0x05);           // Disable Power Save Mode
oled_Data_160128RGB(0x00);           // Set All Internal Register Value as Normal Mode

```

```

oled_Command_160128RGB(0x15);
oled_Data_160128RGB(0x00);           // Set RGB Interface Polarity as Active Low

}

int oled_160128RGB(void)
{
oled_Command_160128RGB(0x17);   //set column start address
oled_Data_160128RGB(0x00);     //

oled_Command_160128RGB(0x18);   //set column end address
oled_Data_160128RGB(0x9F);     //

oled_Command_160128RGB(0x19);   //set row start address
oled_Data_160128RGB(0x00);     //

oled_Command_160128RGB(0x1A);   //set row end address
oled_Data_160128RGB(0x7F);     //

oled_Command_160128RGB(0x22);   //write to RAM command

for (i=0;i<20480;i++)   //for each 24-bit pixel...160*128=20480
{
    oled_Data_160128RGB(red);
    oled_Data_160128RGB(green);
    oled_Data_160128RGB(blue);
}

/*if(image==screenSaverRequired){           //screen saver example--!
    //First Screen
    oled_Command_160128RGB(0x2E);   //first screen horizontal address
    oled_Data_160128RGB(0x00);     //
    oled_Command_160128RGB(0x2F);   //first screen vertical address
    oled_Data_160128RGB(0x00);     //
    oled_Command_160128RGB(0x33);   //first screen start column
    oled_Data_160128RGB(0x00);     //
    oled_Command_160128RGB(0x34);   //first screen end column
    oled_Data_160128RGB(0x9F);     //
    oled_Command_160128RGB(0x35);   //first screen start row
    oled_Data_160128RGB(0x00);     //
    oled_Command_160128RGB(0x36);   //first screen end row
    oled_Data_160128RGB(0x36);     //

    //Second_Screen(0x00,0x9F,0x3C,0x7F,0x20,0x7F,0x3C,0x5F);
    oled_Command_160128RGB(0x31);   //second screen horizontal address
    oled_Data_160128RGB(0x00);     //
    oled_Command_160128RGB(0x32);   //second screen vertical address
    oled_Data_160128RGB(0x37);     //

```



```

oled_Command_160128RGB(0x37); //second screen start column
oled_Data_160128RGB(0x00); //
oled_Command_160128RGB(0x38); //second screen end column
oled_Data_160128RGB(0x9F); //
oled_Command_160128RGB(0x39); //second screen start row
oled_Data_160128RGB(0x37); //
oled_Command_160128RGB(0x3A); //second screen end row
oled_Data_160128RGB(0x7F); //
oled_Command_160128RGB(0x47); //second screen box start column
oled_Data_160128RGB(0x60); //
oled_Command_160128RGB(0x48); //second screen box end column
oled_Data_160128RGB(0x7F); //
oled_Command_160128RGB(0x49); //second screen box start row
oled_Data_160128RGB(0x37); //
oled_Command_160128RGB(0x4A); //second screen box end row
oled_Data_160128RGB(0x37); //

oled_Command_160128RGB(0x3E); //first screen update timer
oled_Data_160128RGB(0x04);
oled_Command_160128RGB(0x3F); //horizontal step
oled_Data_160128RGB(0x01);
oled_Command_160128RGB(0x40); //second screen update timer
oled_Data_160128RGB(0x01);
oled_Command_160128RGB(0x41); //second screen vertical and horizontal step
oled_Data_160128RGB(0x11);
oled_Command_160128RGB(0x42); //moving direction
oled_Data_160128RGB(0x00);
oled_Command_160128RGB(0x3C); //sleep timer
oled_Data_160128RGB(0xF0);
oled_Command_160128RGB(0x3D); //Screen saver mode
oled_Data_160128RGB(0x01);
oled_Command_160128RGB(0x13);
oled_Data_160128RGB(0xa4);
oled_Command_160128RGB(0x3B); //Screen saver control
oled_Data_160128RGB(0x0D);
} */
/*else { //Screen Saver example #2--!
oled_Command_160128RGB(0x2E); //First Screen First_Screen(0x00,0x9F,0x00,0x7F);
oled_Data_160128RGB(0x00); //
oled_Command_160128RGB(0x2F); //
oled_Data_160128RGB(0x00); //
oled_Command_160128RGB(0x33); //
oled_Data_160128RGB(0x00); //
oled_Command_160128RGB(0x34); //
oled_Data_160128RGB(0x9F); //
oled_Command_160128RGB(0x35); //
oled_Data_160128RGB(0x00); //
oled_Command_160128RGB(0x36); //
oled_Data_160128RGB(0x7F); //
oled_Command_160128RGB(0x13);

```

```
oled_Data_160128RGB(0xa0);
//Screen_Saver_(full screen to the right)
oled_Command_160128RGB(0x3E);//Screen saver
oled_Data_160128RGB(0x01);
oled_Command_160128RGB(0x3F);//Screen saver
oled_Data_160128RGB(0x01);
oled_Command_160128RGB(0x40);//Screen saver
oled_Data_160128RGB(0x01);
oled_Command_160128RGB(0x41);//Screen saver
oled_Data_160128RGB(0x01);
oled_Command_160128RGB(0x42);//Screen saver
oled_Data_160128RGB(0x10);
oled_Command_160128RGB(0x3C);//Screen saver timer
oled_Data_160128RGB(0x80);
oled_Command_160128RGB(0x3D);//Screen saver timer
oled_Data_160128RGB(0x32);
oled_Command_160128RGB(0x3B);//Screen saver
oled_Data_160128RGB(0x05);
}*/
```

```
/* //turn off screen saver example --!
oled_Command_160128RGB(0x3D);//Screen saver timer
oled_Data_160128RGB(0x00);
oled_Command_160128RGB(0x3C);//Screen saver timer
oled_Data_160128RGB(0x00);
oled_Command_160128RGB(0x3B);//Screen saver
oled_Data_160128RGB(0x00);
oled_Command_160128RGB(0x42);//Screen saver
oled_Data_160128RGB(0x00);
*/
```

```
}return 1;}
```

////////////////////////////////////

## Quality Information

Test Item	Content of Test	Test Condition	Note
High Temperature storage	Test the endurance of the display at high storage temperature.	+80°C , 96hrs	2
Low Temperature storage	Test the endurance of the display at low storage temperature.	-40°C , 96hrs	1,2
High Temperature Operation	Test the endurance of the display by applying electric stress (voltage & current) at high temperature.	+70°C , 96hrs	2
Low Temperature Operation	Test the endurance of the display by applying electric stress (voltage & current) at low temperature.	-30°C , 96hrs	1,2
High Temperature / Humidity Operation	Test the endurance of the display by applying electric stress (voltage & current) at high temperature with high humidity.	+60°C , 90% RH , 96hrs	1,2
Thermal Shock resistance	Test the endurance of the display by applying electric stress (voltage & current) during a cycle of low and high temperatures.	-30°C, 30min -> 25°C, 5min -> 70°C, 30min = 1 cycle For 100 cycles	
Vibration test	Test the endurance of the display by applying vibration to simulate transportation and use.	10-22Hz, 1.5mm amplitude. 22-500Hz, 1.5G 30min in each of 3 directions X,Y,Z	3
Atmospheric Pressure test	Test the endurance of the display by applying atmospheric pressure to simulate transportation by air.	115mbar, 40hrs	3
Static electricity test	Test the endurance of the display by applying electric static discharge.	VS=800V, RS=1.5kΩ, CS=100pF One time	

**Note 1:** No condensation to be observed.

**Note 2:** Conducted after 2 hours of storage at 25°C, 0%RH.

**Note 3:** Test performed on product itself, not inside a container.

**Evaluation Criteria:**

- 1: Display is fully functional during operational tests and after all tests, at room temperature.
- 2: No observable defects.
- 3: Luminance >50% of initial value.
- 4: Current consumption within 50% of initial value

## Precautions for using OLEDs/LCDs/LCMs

See Precautions at [www.newhavendisplay.com/specs/precautions.pdf](http://www.newhavendisplay.com/specs/precautions.pdf)

## Warranty Information and Terms & Conditions

[http://www.newhavendisplay.com/index.php?main\\_page=terms](http://www.newhavendisplay.com/index.php?main_page=terms)