



Chipsmall Limited consists of a professional team with an average of over 10 year of expertise in the distribution of electronic components. Based in Hongkong, we have already established firm and mutual-benefit business relationships with customers from,Europe,America and south Asia,supplying obsolete and hard-to-find components to meet their specific needs.

With the principle of “Quality Parts,Customers Priority,Honest Operation,and Considerate Service”,our business mainly focus on the distribution of electronic components. Line cards we deal with include Microchip,ALPS,ROHM,Xilinx,Pulse,ON,Everlight and Freescale. Main products comprise IC,Modules,Potentiometer,IC Socket,Relay,Connector.Our parts cover such applications as commercial,industrial, and automotives areas.

We are looking forward to setting up business relationship with you and hope to provide you with the best service and solution. Let us make a better world for our industry!



## Contact us

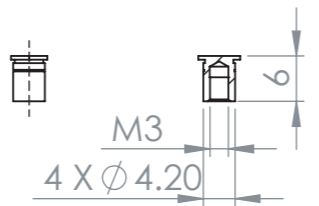
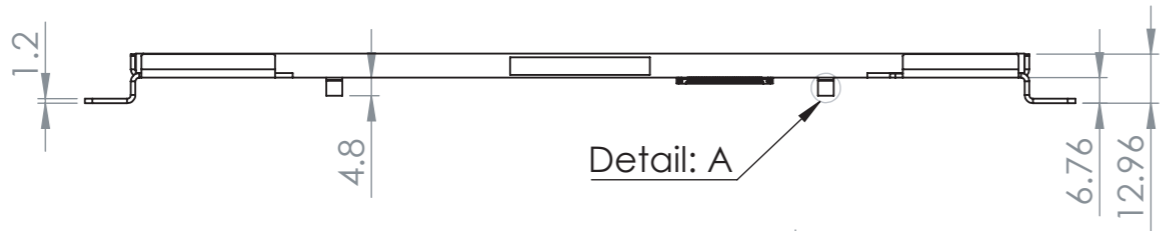
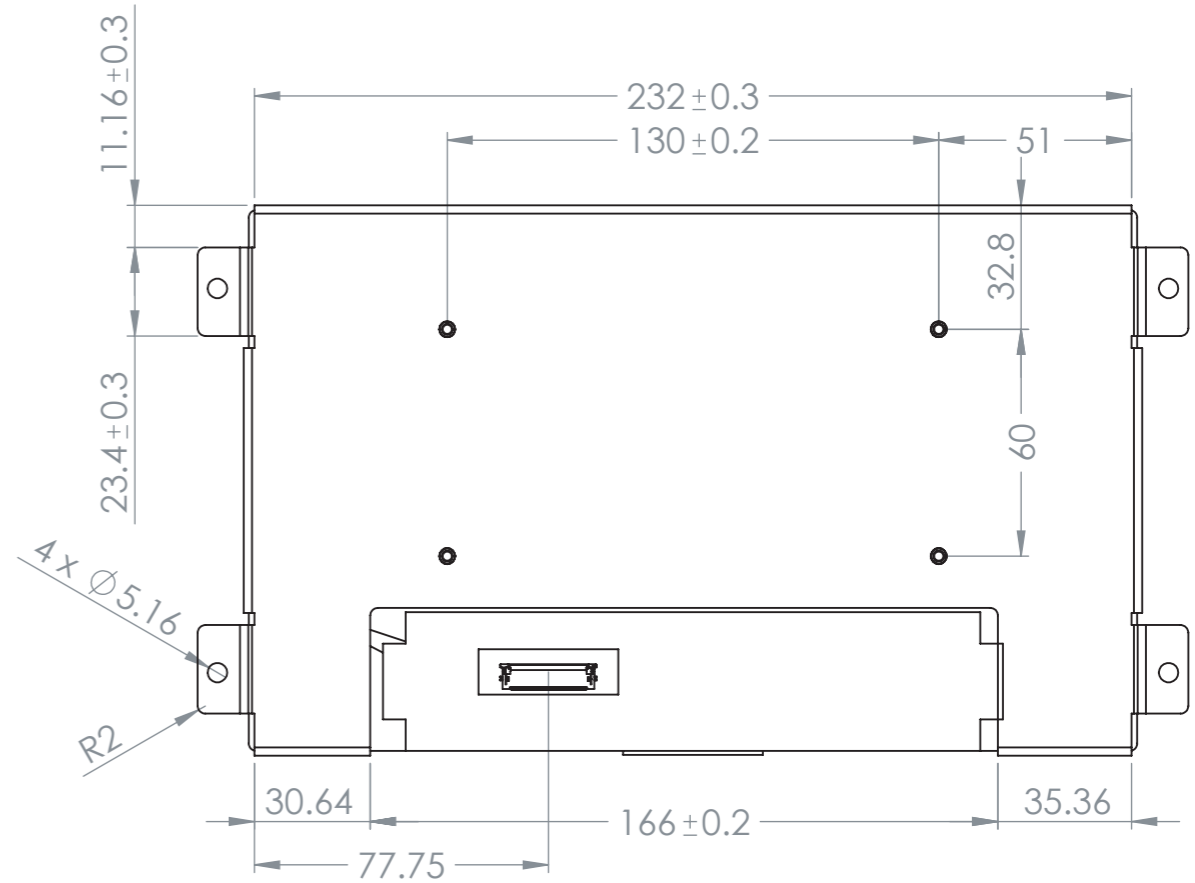
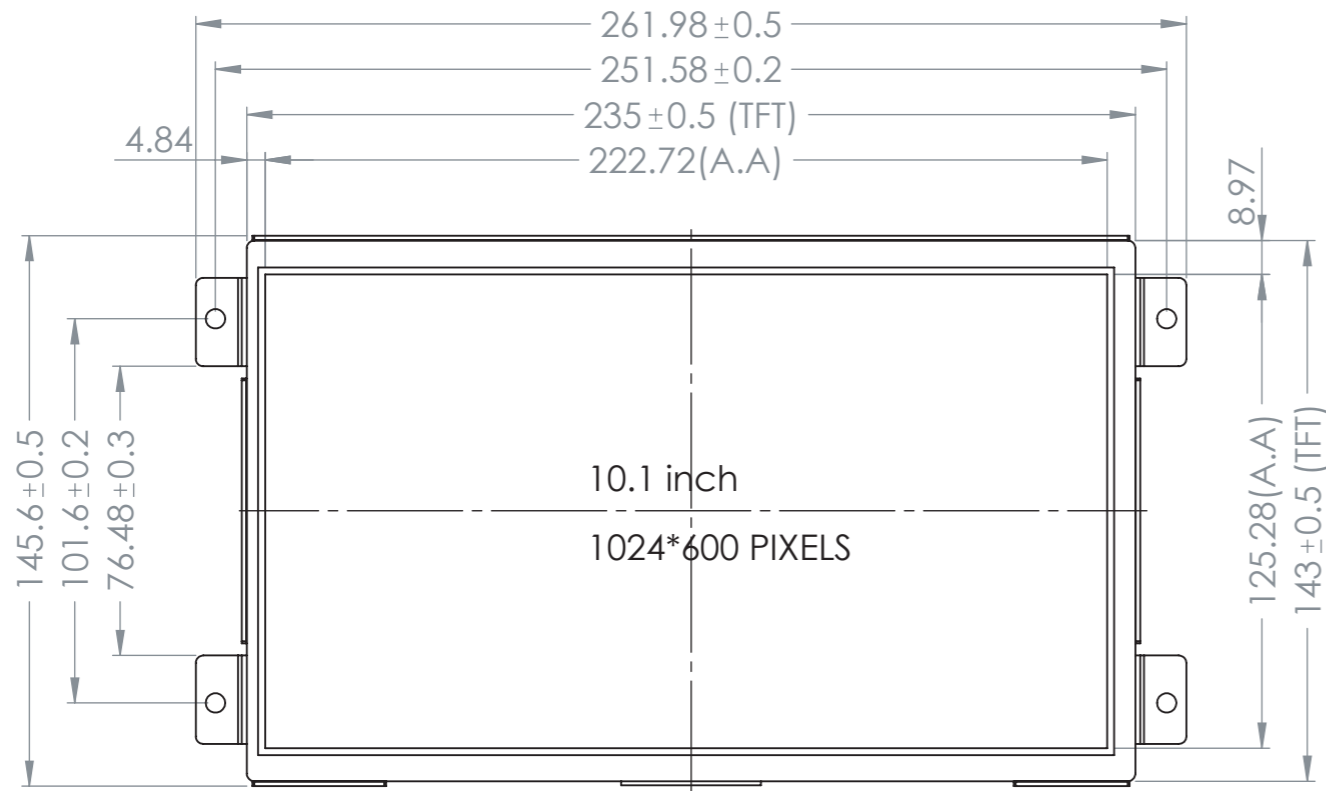
Tel: +86-755-8981 8866 Fax: +86-755-8427 6832

Email & Skype: info@chipsmall.com Web: www.chipsmall.com

Address: A1208, Overseas Decoration Building, #122 Zhenhua RD., Futian, Shenzhen, China



|        |          |   |      |
|--------|----------|---|------|
| 5      | 6        | 7 | 8    |
| SYMBOL | REVISION |   | DATE |
|        |          |   |      |



Detail: A  
1:1  
Part# BS04-M3-6 or Equivalent

NOTES (Mounting Bracket):

- MATERIAL: SGLCC
- THICKNESS: 1.2mm
- 4x Mounting Holes, compatible with Rack Unit (RU) spacing
- 4x Blind Threaded Standoffs (M3) on back side, suitable for Custom PCB assembly

This drawing is for mechanical mounting information only. Detailed display specifications can be viewed by downloading the full datasheet for the 10.1" TFT, accessible by the link below:

<http://www.newhavendisplay.com/specs/NHD-10.1-1024600AF-LSXV.pdf>

|   |                                |   |                              |
|---|--------------------------------|---|------------------------------|
| STANDARD TOLERANCES<br>(UNLESS OTHERWISE SPECIFIED)   | NEWHAVEN DISPLAY INTERNATIONAL |   |                              |
|   | LINEAR: ±0.3 mm                | DRAWING/PART NUMBER:<br>NHD-10.1-1024600MB-xxxx | REVISION:<br>1.0             |
| UNLESS OTHERWISE SPECIFIED<br>- DIMENSIONS ARE IN MILLIMETERS<br>- THIRD ANGLE PROJECTION   | DRAWN BY:<br>N. Patel          | CHECKED BY:<br>M. LaVine                        | APPROVED BY:<br>M. LaVine    |
|   | DRAWN DATE:<br>11/15/17        | CHECKED DATE:<br>11/15/17                       | APPROVED DATE:<br>11/15/17   |
| DO NOT SCALE DRAWING  |                                |   | SIZE:<br>A3<br>SCALE:<br>1:2 |
| THIS DRAWING IS SOLELY THE PROPERTY OF NEWHAVEN DISPLAY INTERNATIONAL, INC. THE INFORMATION IT CONTAINS IS NOT TO BE DISCLOSED, REPRODUCED OR COPIED IN WHOLE OR PART WITHOUT WRITTEN APPROVAL FROM NEWHAVEN DISPLAY. |                                |   |                              |