



Chipsmall Limited consists of a professional team with an average of over 10 year of expertise in the distribution of electronic components. Based in Hongkong, we have already established firm and mutual-benefit business relationships with customers from,Europe,America and south Asia,supplying obsolete and hard-to-find components to meet their specific needs.

With the principle of "Quality Parts,Customers Priority,Honest Operation,and Considerate Service",our business mainly focus on the distribution of electronic components. Line cards we deal with include Microchip,ALPS,ROHM,Xilinx,Pulse,ON,Everlight and Freescale. Main products comprise IC,Modules,Potentiometer,IC Socket,Relay,Connector.Our parts cover such applications as commercial,industrial, and automotives areas.

We are looking forward to setting up business relationship with you and hope to provide you with the best service and solution. Let us make a better world for our industry!



## Contact us

Tel: +86-755-8981 8866 Fax: +86-755-8427 6832

Email & Skype: info@chipsmall.com Web: www.chipsmall.com

Address: A1208, Overseas Decoration Building, #122 Zhenhua RD., Futian, Shenzhen, China



# NHD-3.5-320240MF-ATXL#-T-1

## TFT (Thin-Film-Transistor) Color Liquid Crystal Display Module

NHD-	Newhaven Display
3.5-	3.5" Diagonal
320240-	320xRGBx240 pixels
MF-	Model
A-	Built-in driver / No Controller
T-	White LED backlight
X-	TFT
L-	12:00 view, Wide Temp
#-	<b>RoHS Compliant</b>
T-1	4-wire Resistive Touch Panel

**Newhaven Display International, Inc.**

2511 Technology Drive, Suite 101

Elgin IL, 60124

Ph: 847-844-8795

Fax: 847-844-8796

[www.newhavendisplay.com](http://www.newhavendisplay.com)

[nhtech@newhavendisplay.com](mailto:nhtech@newhavendisplay.com)

[nhsales@newhavendisplay.com](mailto:nhsales@newhavendisplay.com)

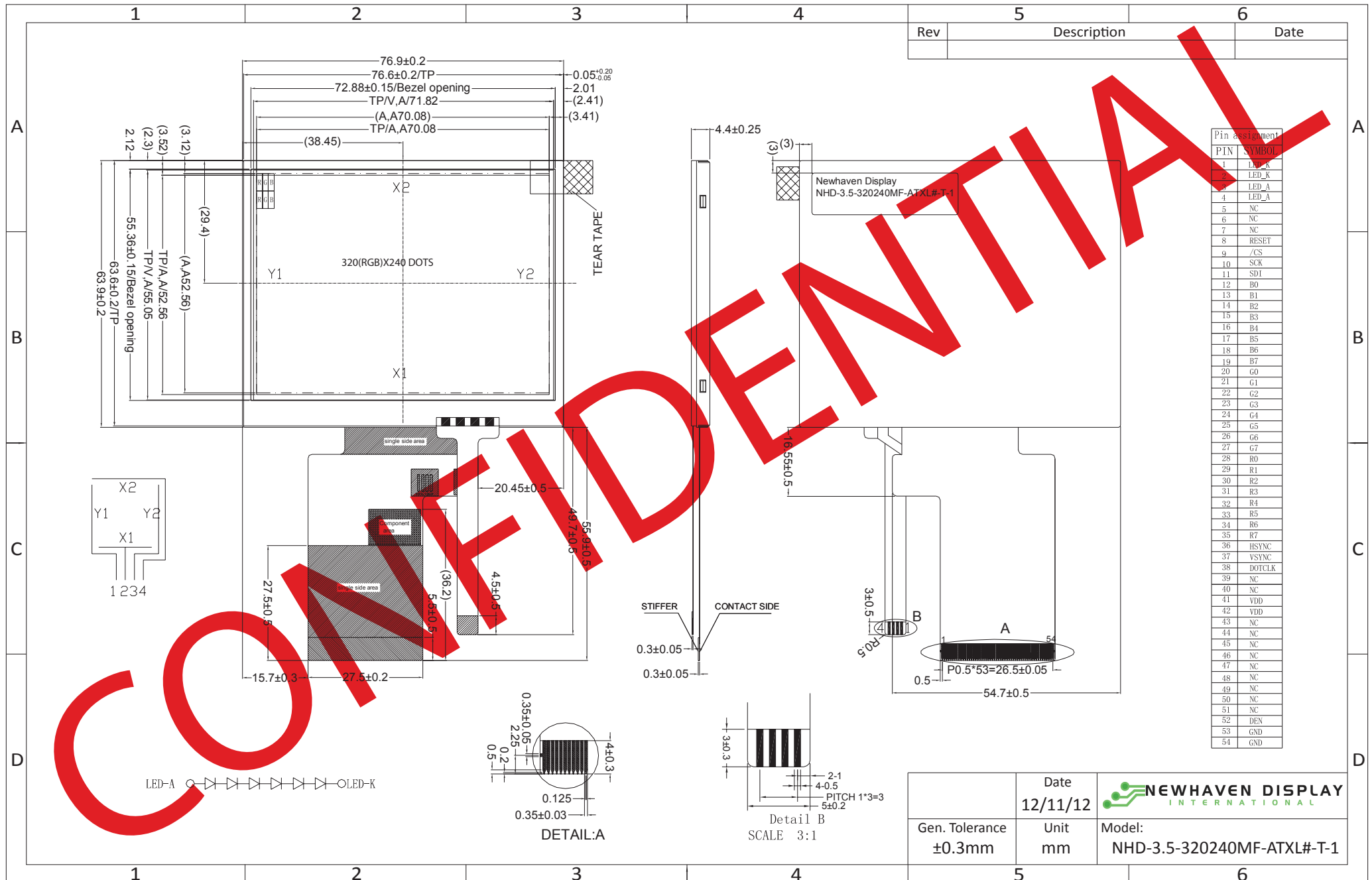
## Document Revision History

Revision	Date	Description	Changed by
0	7/8/2009	Initial Release	CL
1	7/29/2009	MECHANICAL DRAWING UPDATE	CL
2	5/27/2010	Touch Panel Characteristics Updated	BE
3	1/25/2011	Viewing angle updated	AK
4	1/26/2011	Mechanical Drawing updated	AK
5	3/31/2011	Pin description / Note updated	AK
6	4/8/2011	Contrast removed from electrical characteristics	BE
7	11/29/2011	Electrical characteristics updated	AK
8	12/11/2012	Timing characteristics & Mechanical drawing updated	AK

## Functions and Features

- 320xRGBx240 resolution
- LED backlight
- 24-bit Digital RGB interface (6.4MHz)
- 3.3V power supply
- With 4-Wire resistive Touch Panel

# Mechanical Drawing



The drawing contained herein is the exclusive property of Newhaven Display International, Inc. and shall not be copied, reproduced, and/or disclosed in any format without permission.

## Pin Description

### LCD:

Pin No.	Symbol	External Connection	Function Description
1	LED-	Power Supply	Ground for backlight
2	LED-	Power Supply	Ground for backlight
3	LED+	Power Supply	Power for backlight (18mA @ 19.2V)
4	LED+	Power Supply	Power for backlight (18mA @ 19.2V)
5	NC	-	No Connect
6	NC	-	No Connect
7	NC	-	No Connect
8	/RST	MPU	Active LOW Reset
9	/CS	MPU	Active LOW Serial Chip Select
10	SCL	MPU	Serial Clock
11	SDA	MPU	Serial Data
12-19	B0-B7	MPU	Blue Data
20-27	G0-G7	MPU	Green Data
28-35	R0-R7	MPU	Red Data
36	HSYNC	MPU	Horizontal (Line) Sync
37	VSYNC	MPU	Vertical (Frame) Sync
38	DCLK	MPU	Dot Clock
39	NC	-	No Connect
40	NC	-	No Connect
41	VDD	Power Supply	Power for LCD and logic (3.3V)
42	VDD	Power Supply	Power for LCD and logic (3.3V)
43	NC	-	No Connect
44	NC	-	No Connect
45	NC	-	No Connect
46	NC	-	No Connect
47	NC	-	No Connect
48	NC	-	No Connect
49	NC	-	No Connect
50	NC	-	No Connect
51	NC	-	No Connect
52	DE	-	Data Enable (No Connect)
53	VSS	Power Supply	Ground
54	VSS	Power Supply	Ground

**Recommended LCD connector:** 0.5mm pitch, 54 conductor – Molex 51296-5494

**Backlight connector:** on LCD connector

**Mates with:** ---

### Touch Panel:

Pin No.	Symbol	External Connection	Function Description
1	Y1	Touch Controller	Left
2	X1	Touch Controller	Down
3	Y2	Touch Controller	Right
4	X2	Touch Controller	Up

**Recommended Touch panel connector:** 1.0mm pitch, 4 conductor – Molex 52207-0485

## Electrical Characteristics

Item	Symbol	Condition	Min.	Typ.	Max.	Unit
Operating Temperature Range	Top	Absolute Max	-20	-	+70	°C
Storage Temperature Range	Tst	Absolute Max	-30	-	+80	°C
Digital Supply Voltage	VDD		3.0	3.3	3.6	V
Supply Current	IDD	VDD=3.3V	-	25	-	mA
"H" Level input	Vih		0.8*VDD	-	VDD	V
"L" Level input	Vil		VSS	-	0.2*VDD	V
"H" Level output	Voh		VDD-0.4	-	VDD	V
"L" Level output	Vol		VSS	-	VSS+0.4	V
Backlight Supply Voltage	Vled		18.0	19.2	20.4	V
Backlight Supply Current	Iled	Vled=19.2V	-	18	20	mA

## Optical Characteristics

Item	Symbol	Condition	Min.	Typ.	Max.	Unit
Viewing Angle – Top		Cr ≥ 10	-	60	-	°
Viewing Angle – Bottom			-	40	-	°
Viewing Angle – Left			-	60	-	°
Viewing Angle – Right			-	60	-	°
Contrast Ratio	Cr		200	350	-	
Response Time (rise)	Tr		-	10	-	ms
Response Time (fall)	Tf		-	15	-	ms

## Touch Panel Characteristics

Item	Symbol	Condition	Min.	Typ.	Max.	Unit
Linearity			-	-	1.5	%
Circuit Resistance – X-Axis			200	-	900	Ω
Circuit Resistance – Y-Axis			200	-	900	Ω
Insulation Resistance			20	-	-	MΩ
Operating Voltage			-	-	5	V
Chattering			-	-	10	Ms
Transmittance			75	-	-	%
Activation Force			70	-	120	g
Pen Writing Durability			100,000	-	-	Characters
Pitting Durability			1,000,000	-	-	Touches
Surface Hardness			3	-	-	H
Haze			-	7	-	%

## Driver Information

Built-in NT39016D driver. No controller.

Please download specification at [http://www.newhavendisplay.com/app\\_notes/NT39016D.pdf](http://www.newhavendisplay.com/app_notes/NT39016D.pdf)

Note: To achieve optimum VCOM and VGL settings, the SPI interface may be used to set the following registers:

ROEh = 6Bh

ROFh = 24h

## Timing Characteristics

Parameter	Symbol	Min.	Typ.	Max.	Unit	Conditions
<b>System Operation Timing</b>						
VDD power source slew time	T <sub>POR</sub>			1000	us	From 0V to 90% VDD
RSTB active pulse width	T <sub>RSTB</sub>	40			us	VDD = 3.3V
<b>Input Output Timing</b>						
CLKIN clock time	T <sub>clk</sub>	33.3/125	-	-	ns	Please refer to timing table(p.32)
HSD to CLKIN	T <sub>hc</sub>	-	-	1	CLKIN	
HSD width	T <sub>wh</sub>	1	-	-	CLKIN	
VSD width	T <sub>vwh</sub>	1	-	-	Th	
HSD period time	T <sub>h</sub>	60	63.56	67	us	
VSD setup time	T <sub>vst</sub>	8	-	-	ns	
VSD hold time	T <sub>vhd</sub>	10	-	-	ns	
HSD setup time	T <sub>hst</sub>	8	-	-	ns	
HSD hold time	T <sub>hhd</sub>	10	-	-	ns	
Data set-up time	T <sub>dsu</sub>	8	-	-	ns	DIN[23:0] to CLKIN
Data hold time	T <sub>dhd</sub>	10	-	-	ns	DIN[23:0] to CLKIN
DEN setup time	T <sub>esd</sub>	12	-	-	ns	DEN to CLKIN
Time that VSD to 1 <sup>st</sup> line data input	T <sub>vs</sub>	2	13	127	Th	@CCIR601 / 8bit RGB HV mode Control by HDLY[6:0] setting T <sub>vs</sub> = HDLY[6:0]
Time that CCIR_V to 1 <sup>st</sup> line data input	T <sub>vs</sub>	12	20	28	Th	@CCIR656 NTSC mode Control by HDLY[6:0] setting T <sub>vs</sub> = HDLY[6:0]
Time that CCIR_V to 1 <sup>st</sup> line data input	T <sub>vs</sub>	17	25	33	Th	@CCIR656 PAL mode Control by HDLY[6:0] setting T <sub>vs</sub> = HDLY[6:0]
Time that VSD to 1 <sup>st</sup> line	T <sub>vs</sub>	2	13	127	Th	@24bit RGB HV mode Control by HDLY[6:0] setting T <sub>vs</sub> = HDLY[6:0]
Source output stable time 1	T <sub>st</sub>	-	25	30	us	96% final, CL=30pF, RL=2K
Gate output stable time	T <sub>gst</sub>	-	500	1000	ns	96% final, CL=40pF
VCOMOUT output stable time	T <sub>cst</sub>	-	4	8	us	96% final, CL=33nF, RL=100ohm

<b>3-wire serial communication AC timing</b>						
Serial clock	T <sub>spck</sub>	320	-	-	ns	
SPCK pulse duty		40	50	60	%	T <sub>ckh</sub> / T <sub>spck</sub>
Serial data setup time	T <sub>isu</sub>	120	-	-	ns	
Serial data hold time	T <sub>ihd</sub>	120	-	-	ns	
Serial clock high/low	T <sub>ckh/l</sub>	120	-	-	ns	
Chip select distinguish	T <sub>cd</sub>	1	-	-	us	
SPENB to VSD	T <sub>cv</sub>	1	-	-	us	
SPENB input setup time	T <sub>eck</sub>	150	-	-	ns	
SPENB input hold time	T <sub>cke</sub>	150	-	-	ns	

## CCIR601 Mode A/B \*

Parameter	Symbol	Min.	Typ.	Max.	Unit	Conditions
CLKIN frequency	Fclk	-	24.54 /27	30	MHz	VDD = 3.0 ~3.6V
CLKIN cycle time	Tclk	-	40/37		ns	
CLKIN pulse duty	Tcwh	40	50	60	%	Tclk
Time from HSD to 1'st data input (PAL)	Ths	128	264	-	CLKIN	DDLY = 136, Offset = 128 (fixed)
Time from HSD to 1'st data input (NTSC)	Ths	128	244	-	CLKIN	DDLY = 116, Offset = 128 (fixed)

## CCIR656 Mode A/B \*

Parameter	Symbol	Min.	Typ.	Max.	Unit	Conditions
CLKIN frequency	Fclk	-	27	30	MHz	VDD = 3.0 ~3.6V
CLKIN cycle time	Tclk	-	37		ns	
CLKIN pulse duty	Tcwh	40	50	60	%	Tclk
Time from EAV to 1'st data input (PAL)	Ths	128	288		CLKIN	DDLY = 152, Offset = 128 (fixed)
Time from EAV to 1'st data input (NTSC)	Ths	128	276		CLKIN	DDLY = 140, Offset = 128 (fixed)

## 8 Bit RGB 960 CH Mode

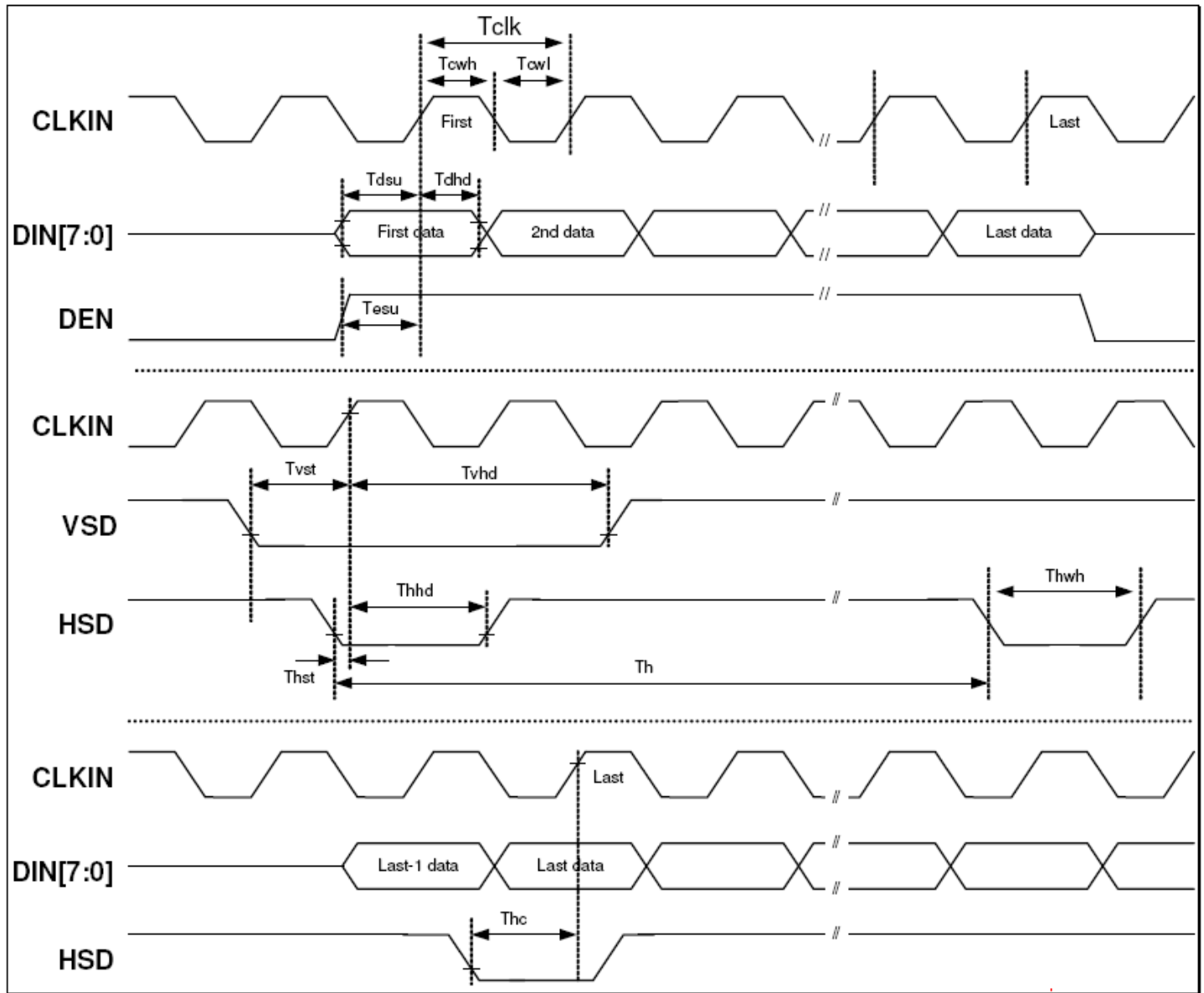
Parameter	Symbol	Min.	Typ.	Max.	Unit	Conditions
CLKIN frequency	Fclk	-	27	30	MHz	VDD = 3.0 ~3.6V
CLKIN cycle time	Tclk	-	37		ns	
CLKIN pulse duty	Tcwh	40	50	60	%	Tclk
Time that HSD to 1'st data input(NTSC)	Ths	35	70	255	CLKIN	DDLY = 70, Offset = 0 (fixed)

## 24 Bit RGB Mode (@ SEL[3:0] = 1100 or 1101)

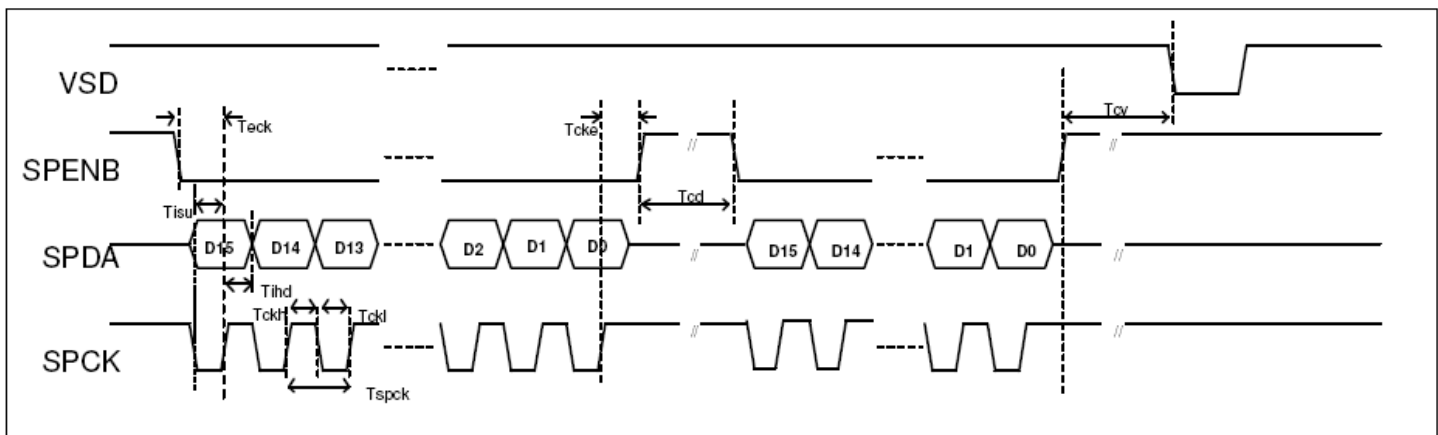
Parameter	Symbol	Min.	Typ.	Max.	Unit	Conditions
CLKIN frequency	Fclk	6.1	6.4	8.0	MHz	VDD = 3.0 ~3.6V
CLKIN cycle time	Tclk	125	156	164	ns	
CLKIN pulse duty	Tcwh	40	50	60	%	Tclk
Time that HSD to 1'st data input(NTSC)	Ths	40	70	255	CLKIN	DDLY =70, Offset = 0 (fixed)



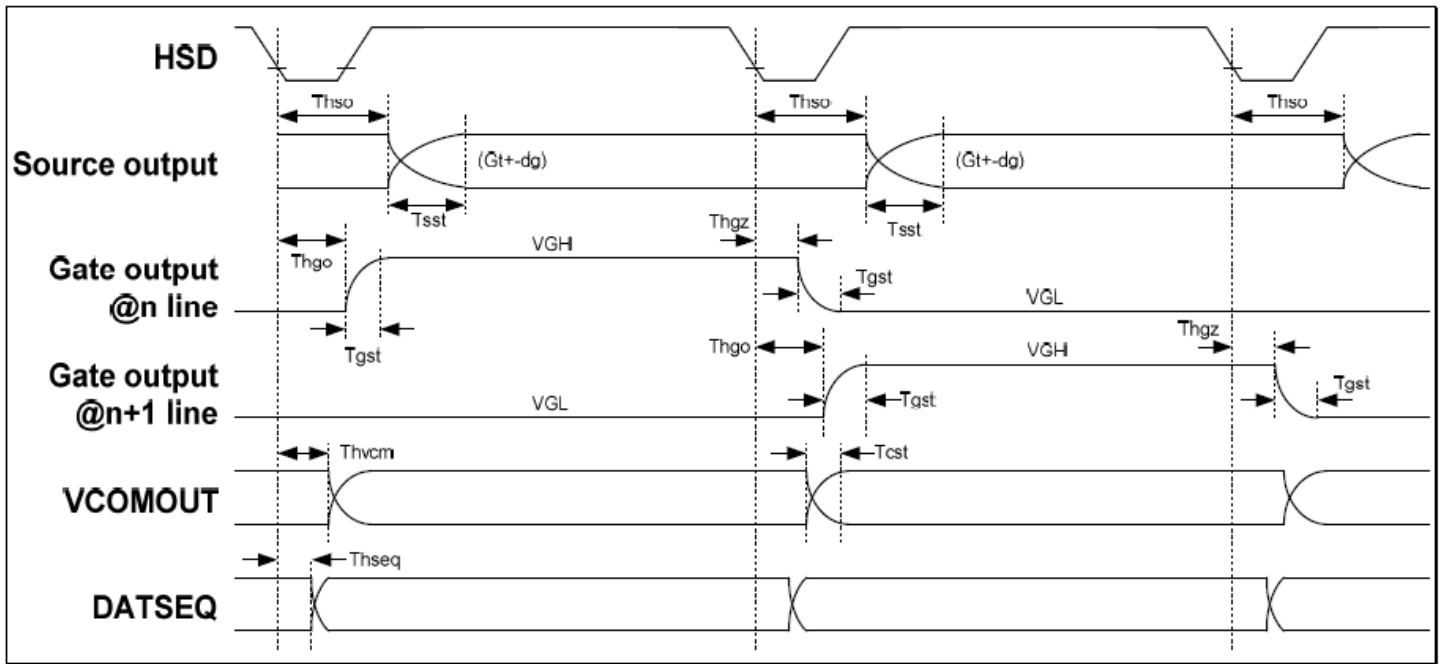
## Clock and Data Input Timing Diagram



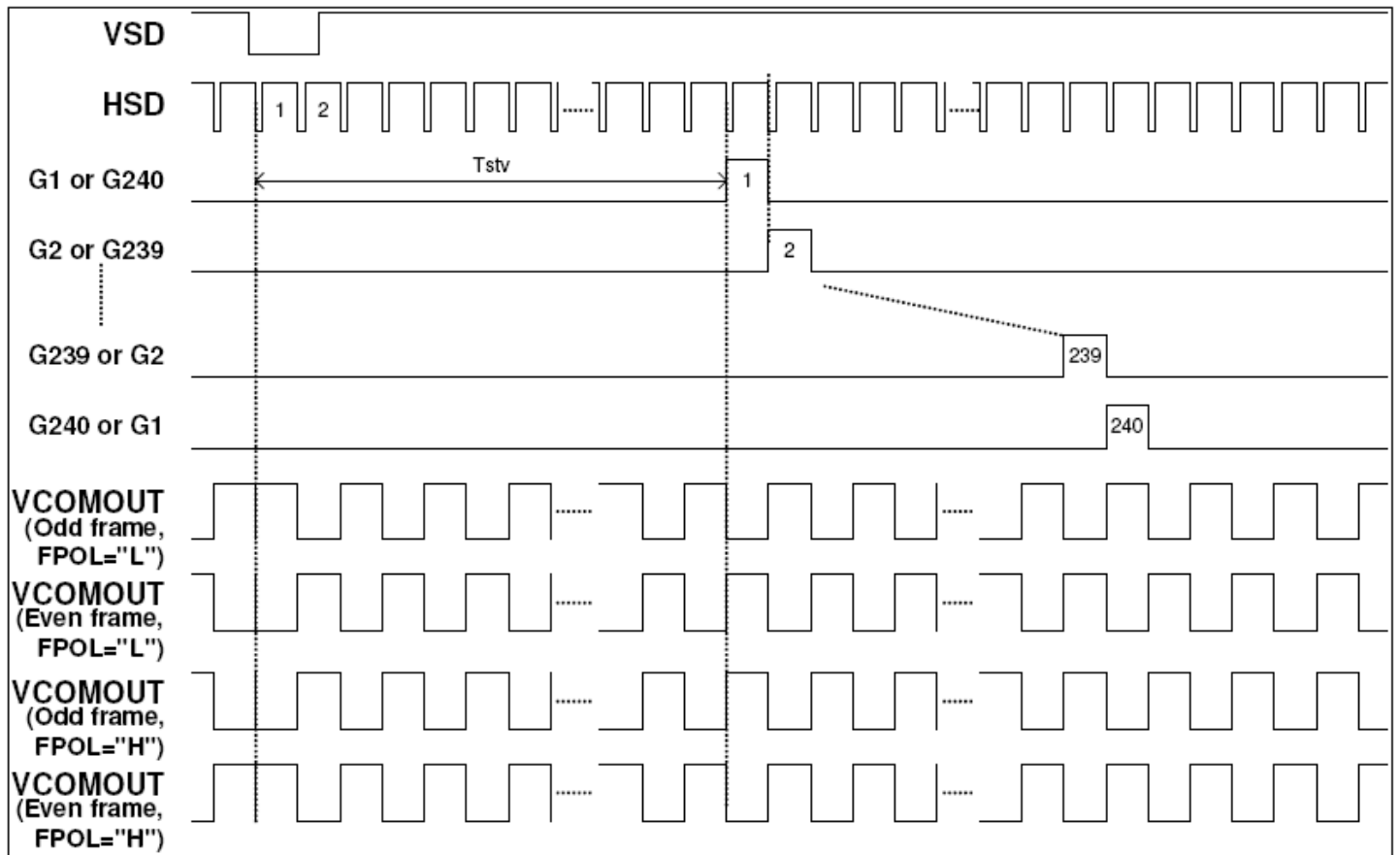
## 3-Wire Timing Diagram



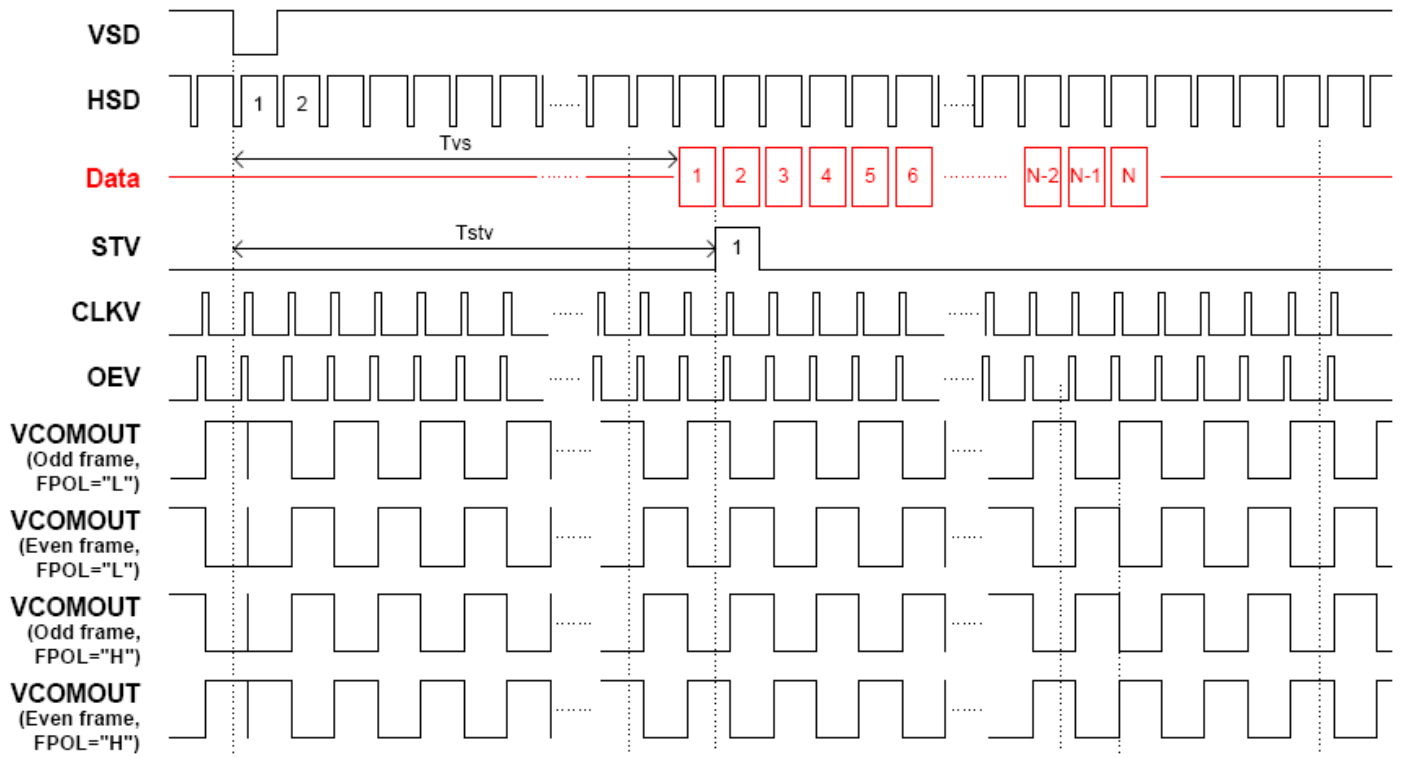
## Source Driver Output Timing Diagram



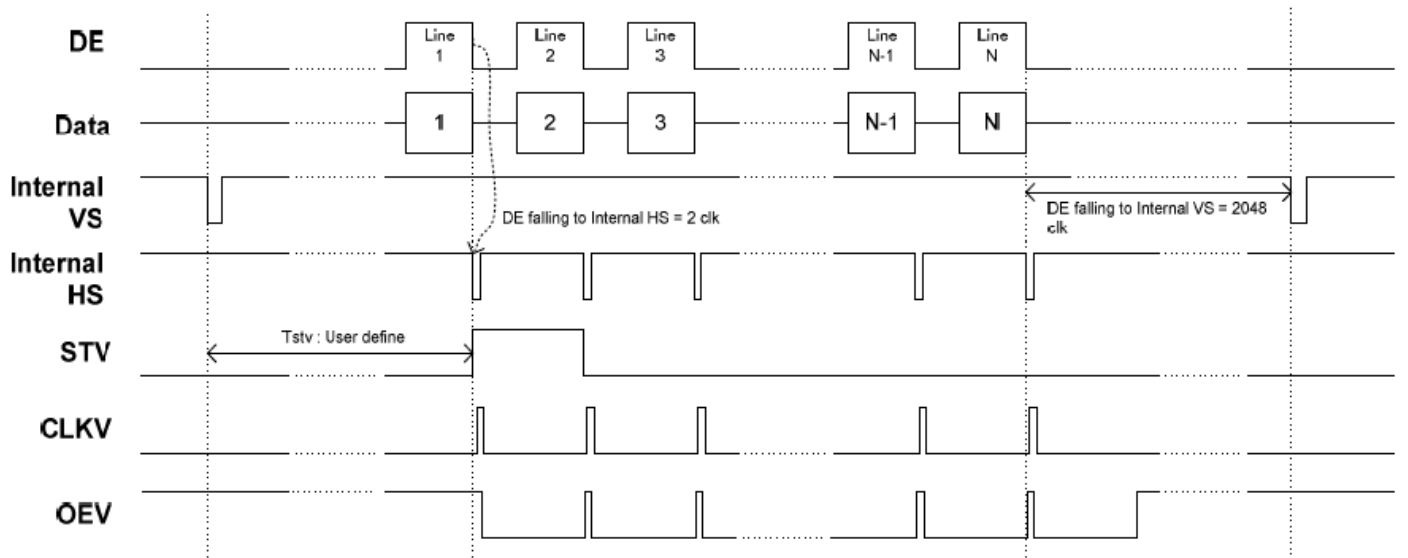
## Gate Driver Output Timing Diagram



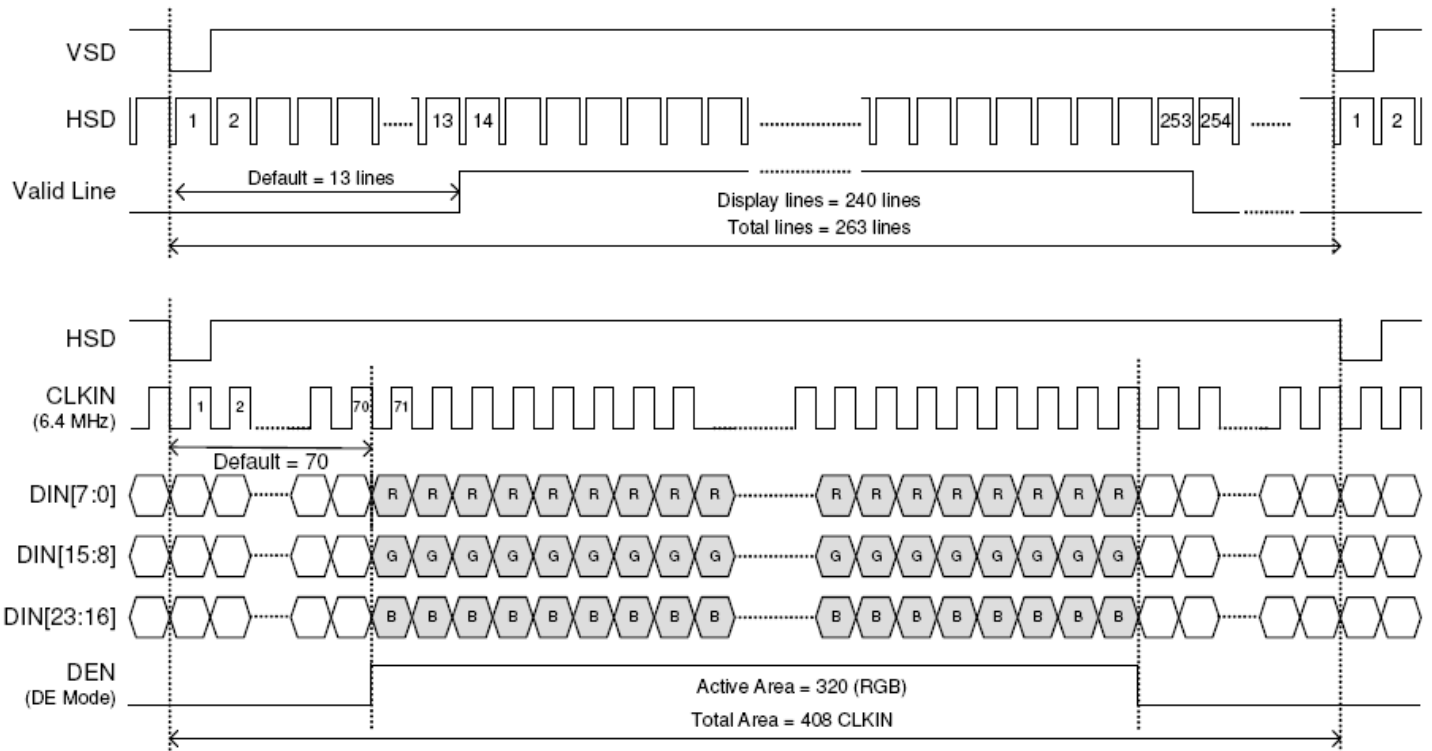
## Vertical Timing Diagram (HV Mode)



## Vertical Timing Diagram (DE Mode)



# Input Data Timing (24 bit RGB mode for 960 x 240 @ SEL[3:0] = 1100b)



## Quality Information

Test Item	Content of Test	Test Condition	Note
High Temperature storage	Endurance test applying the high storage temperature for a long time.	+70°C , 240hrs	2
Low Temperature storage	Endurance test applying the low storage temperature for a long time.	-20°C , 240hrs	1,2
High Temperature Operation	Endurance test applying the electric stress (voltage & current) and the high thermal stress for a long time.	+60°C , 240hrs	2
Low Temperature Operation	Endurance test applying the electric stress (voltage & current) and the low thermal stress for a long time.	-10°C , 240hrs	1,2
High Temperature / Humidity Operation	Endurance test applying the electric stress (voltage & current) and the high thermal with high humidity stress for a long time.	+50°C , 90% RH , 160hrs	1,2
Thermal Shock resistance	Endurance test applying the electric stress (voltage & current) during a cycle of low and high thermal stress.	-20°C,30min -> 25°C,5min -> 70°C,30min = 1 cycle 100 cycles	
Vibration test	Endurance test applying vibration to simulate transportation and use.	10-55Hz , 15mm amplitude. 60 sec in each of 3 directions X,Y,Z For 15 minutes	3
Static electricity test	Endurance test applying electric static discharge.	VS=4KV, RS=330kΩ, CS=150pF Five times	

**Note 1:** No condensation to be observed.

**Note 2:** Conducted after 4 hours of storage at 25°C, 0%RH.

**Note 3:** Test performed on product itself, not inside a container.

## Precautions for using LCDs/LCMs

See Precautions at [www.newhavendisplay.com/specs/precautions.pdf](http://www.newhavendisplay.com/specs/precautions.pdf)

## Warranty Information and Terms & Conditions

[http://www.newhavendisplay.com/index.php?main\\_page=terms](http://www.newhavendisplay.com/index.php?main_page=terms)