



Chipsmall Limited consists of a professional team with an average of over 10 year of expertise in the distribution of electronic components. Based in Hongkong, we have already established firm and mutual-benefit business relationships with customers from,Europe,America and south Asia,supplying obsolete and hard-to-find components to meet their specific needs.

With the principle of “Quality Parts,Customers Priority,Honest Operation,and Considerate Service”,our business mainly focus on the distribution of electronic components. Line cards we deal with include Microchip,ALPS,ROHM,Xilinx,Pulse,ON,Everlight and Freescale. Main products comprise IC,Modules,Potentiometer,IC Socket,Relay,Connector.Our parts cover such applications as commercial,industrial, and automotives areas.

We are looking forward to setting up business relationship with you and hope to provide you with the best service and solution. Let us make a better world for our industry!



## Contact us

Tel: +86-755-8981 8866 Fax: +86-755-8427 6832

Email & Skype: info@chipsmall.com Web: www.chipsmall.com

Address: A1208, Overseas Decoration Building, #122 Zhenhua RD., Futian, Shenzhen, China



1 2 3 4 5 6 7 8

SYMBOL	REVISION	DATE

A A

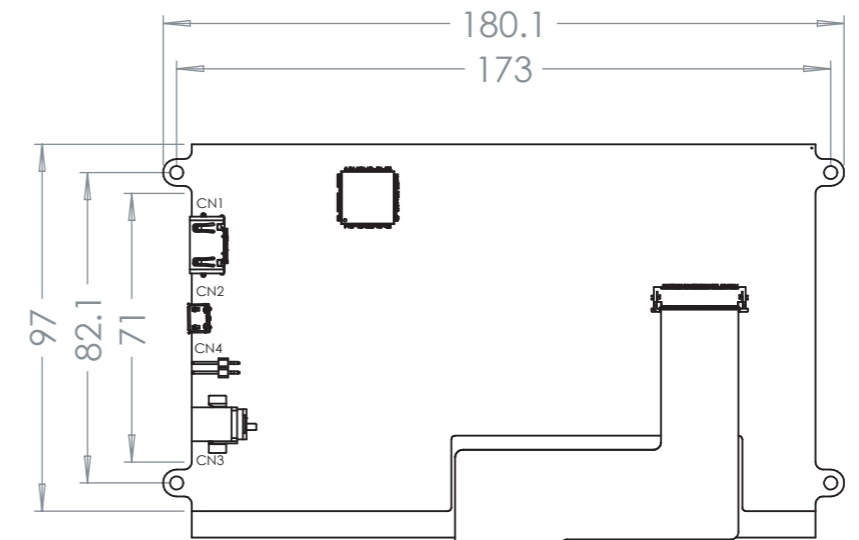
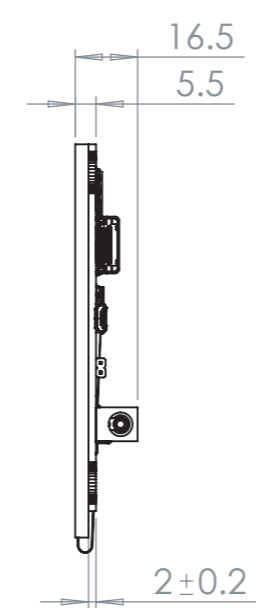
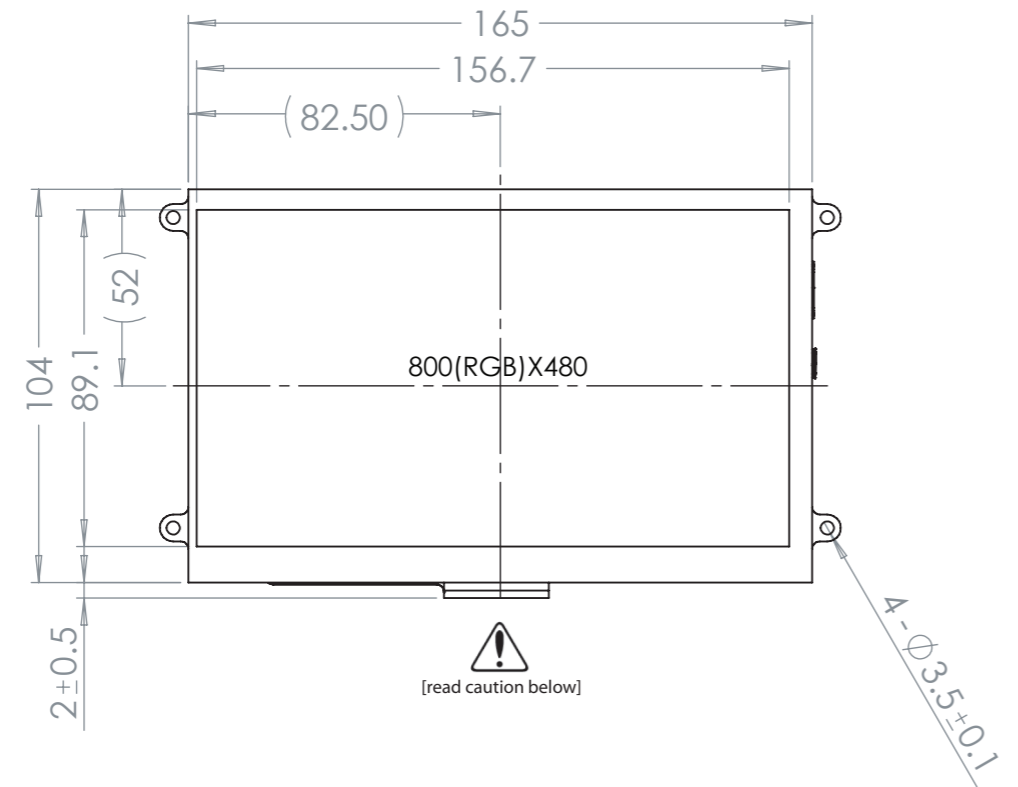
B B

C C

D D

E E

F F



- NOTES:
1. 7.0" Premium HDMI TFT Module
  2. On-board Texas Instruments TFP401A HDMI/DVI Receiver
  3. Optimal Viewing Direction: Full View
  4. Display Mode: Transmissive / Normally White / Anti-Glare
  5. Luminance: 800 cd/m<sup>2</sup>
  6. 3M Brightness Enhancement Film
  7. On-board Texas Instruments TPS61165 High Brightness LED Driver w/ PWM

Improper handling of the FPC connection at the bottom edge of this module may cause damage resulting in display failure. Take special care when handling this area of the display module to make sure this connection is never strained nor creased.

STANDARD TOLERANCES (UNLESS OTHERWISE SPECIFIED)			
LINEAR: ± 0.3mm	DRAWING/PART NUMBER: <b>NHD-7.0-HDMI-N-RSXV</b>		REVISION: 1.1
UNLESS OTHERWISE SPECIFIED	DRAWN BY: N. Patel	CHECKED BY: P. Bartek	APPROVED BY: M. LaVine
- DIMENSIONS ARE IN MILLIMETERS	DRAWN DATE: 8/25/17	CHECKED DATE: 8/28/17	APPROVED DATE: 8/29/17
- THIRD ANGLE PROJECTION	DO NOT SCALE DRAWING		SCALE: 1:2
THIS DRAWING IS SOLELY THE PROPERTY OF NEWHAVEN DISPLAY INTERNATIONAL, INC. THE INFORMATION IT CONTAINS IS NOT TO BE DISCLOSED, REPRODUCED OR COPIED IN WHOLE OR PART WITHOUT WRITTEN APPROVAL FROM NEWHAVEN DISPLAY.			SHEET 1 OF 1

1 2 3 4 5 6 7 8