



Chipsmall Limited consists of a professional team with an average of over 10 year of expertise in the distribution of electronic components. Based in Hongkong, we have already established firm and mutual-benefit business relationships with customers from,Europe,America and south Asia,supplying obsolete and hard-to-find components to meet their specific needs.

With the principle of “Quality Parts,Customers Priority,Honest Operation,and Considerate Service”,our business mainly focus on the distribution of electronic components. Line cards we deal with include Microchip,ALPS,ROHM,Xilinx,Pulse,ON,Everlight and Freescale. Main products comprise IC,Modules,Potentiometer,IC Socket,Relay,Connector.Our parts cover such applications as commercial,industrial, and automotives areas.

We are looking forward to setting up business relationship with you and hope to provide you with the best service and solution. Let us make a better world for our industry!



Contact us

Tel: +86-755-8981 8866 Fax: +86-755-8427 6832

Email & Skype: info@chipsmall.com Web: www.chipsmall.com

Address: A1208, Overseas Decoration Building, #122 Zhenhua RD., Futian, Shenzhen, China



NHD-C12864AZ-FSY-YBW

COG (Chip-On-Glass) Liquid Crystal Display Module

NHD- Newhaven Display
C12864- 128 x 64 pixels
AZ- Model
F- Transflective
SY- Side Yellow/Green LED Backlight
Y- STN- Yellow/Green
B- 6:00 view
W- Wide Temp (-20°C ~ +70°C)
RoHS Compliant

Newhaven Display International, Inc.

2511 Technology Drive, Suite 101

Elgin IL, 60124

Ph: 847-844-8795

Fax: 847-844-8796

www.newhavendisplay.com

nhtech@newhavendisplay.com

nhsales@newhavendisplay.com

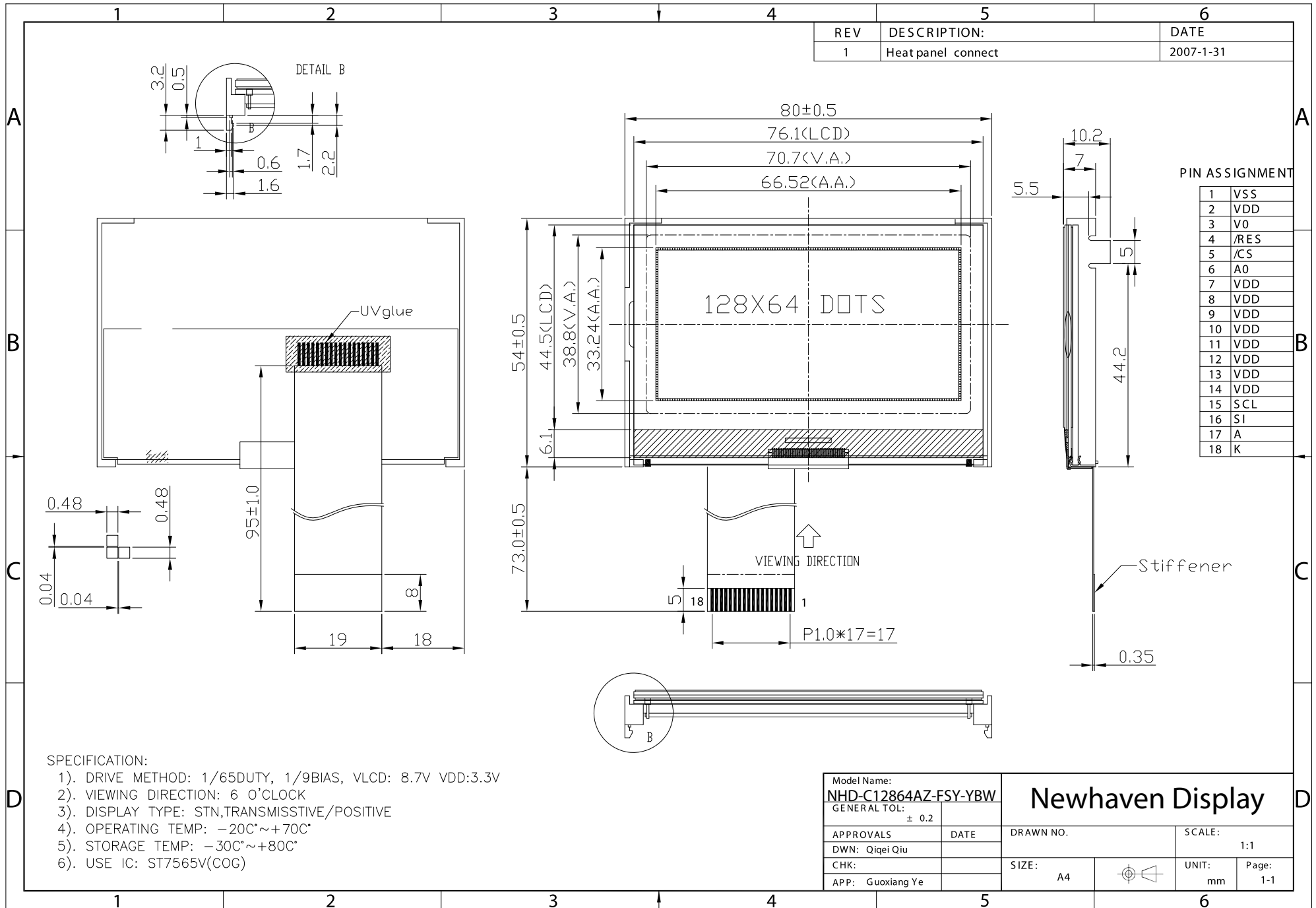
Document Revision History

Revision	Date	Description	Changed by
0	9/28/2007	Initial Release	-
1	1/31/2008	User guide reformat	-
2	9/29/2009	User guide reformat	BE

Functions and Features

- 128 x 64 pixels
- Built-in ST7565P controller
- +3.3V power supply
- 1/64 duty cycle; 1/9 bias
- RoHS Compliant

Mechanical Drawing



REV	DESCRIPTION:	DATE
1	Heat panel connect	2007-1-31

PIN ASSIGNMENT

1	VSS
2	VDD
3	V0
4	/RES
5	/CS
6	A0
7	VDD
8	VDD
9	VDD
10	VDD
11	VDD
12	VDD
13	VDD
14	VDD
15	SCL
16	SI
17	A
18	K

SPECIFICATION:

- 1). DRIVE METHOD: 1/65DUTY, 1/9BIAS, VLCD: 8.7V VDD:3.3V
- 2). VIEWING DIRECTION: 6 O'CLOCK
- 3). DISPLAY TYPE: STN, TRANSMISSIVE/POSITIVE
- 4). OPERATING TEMP: -20C°~+70C°
- 5). STORAGE TEMP: -30C°~+80C°
- 6). USE IC: ST7565V(COG)

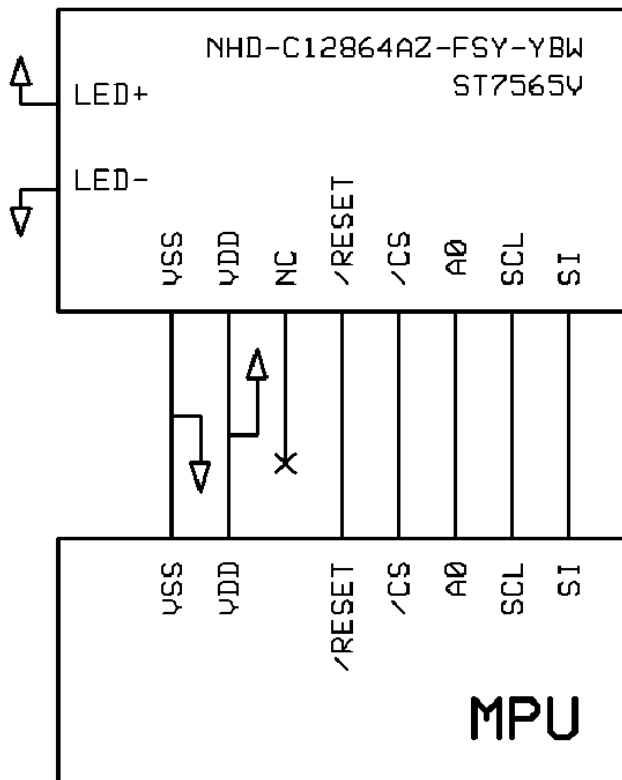
Model Name: NHD-C12864AZ-FSY-YBW		<h2>Newhaven Display</h2>	
GENERAL TOL: ± 0.2			
APPROVALS	DATE	DRAWN NO.	SCALE:
DWN: Qiqei Qiu			1:1
CHK:		SIZE:	UNIT: mm
APP: Guoxiang Ye		A4	Page: 1-1

Pin Description and Wiring Diagram

Pin No.	Symbol	External Connection	Function Description
1	VSS	Power Supply	Ground
2	VDD	Power Supply	Power Supply for LCD and logic (+3.3V)
3	NC	-	No Connect
4	/RES	MPU	Operation Active LOW Reset signal
5	/CS	MPU	Active LOW Chip Select Signal
6	A0	MPU	Register Select. 0: instruction; 1: data
7-14	VDD	Power Supply	Power Supply for LCD and logic (+3.3V)
15	SCL	MPU	Serial clock Input
16	SI	MPU	Serial data Input
17	A	Power Supply	Power supply for backlight (+5V with on-board 6.8ohm)
18	K	Power Supply	Ground for backlight

Recommended LCD connector: 1.0mm Pitch pins. Molex p/n: 52271-1879

Backlight connector: 'A' and 'K' pins on the LCD connector **Mates with:** ---



Electrical Characteristics

Item	Symbol	Condition	Min.	Typ.	Max.	Unit
Operating Temperature Range	TOPR	Absolute Max	-20	-	+70	°C
Storage Temperature Range	TSTR	Absolute Max	-30	-	+80	°C
Supply Voltage	VDD		2.4	3.3	3.3	V
Supply Current	IDD	Ta=25°C, VDD=5.0V	-	-	147	uA
Supply for LCD (contrast)	VDD-V0	Ta=25°C	8.3	8.7	9.3	V
"H" Level input	Vih		2.2	-	VDD	V
"L" Level input	Vil		0	-	0.6	V
"H" Level output	Voh		2.4	-	-	V
"L" Level output	Vol		-	-	0.4	V
Backlight Supply Voltage	VF		-	4.2	-	V
Backlight Supply Current	ILED	VF=4.2V	-	80	-	mA

Optical Characteristics

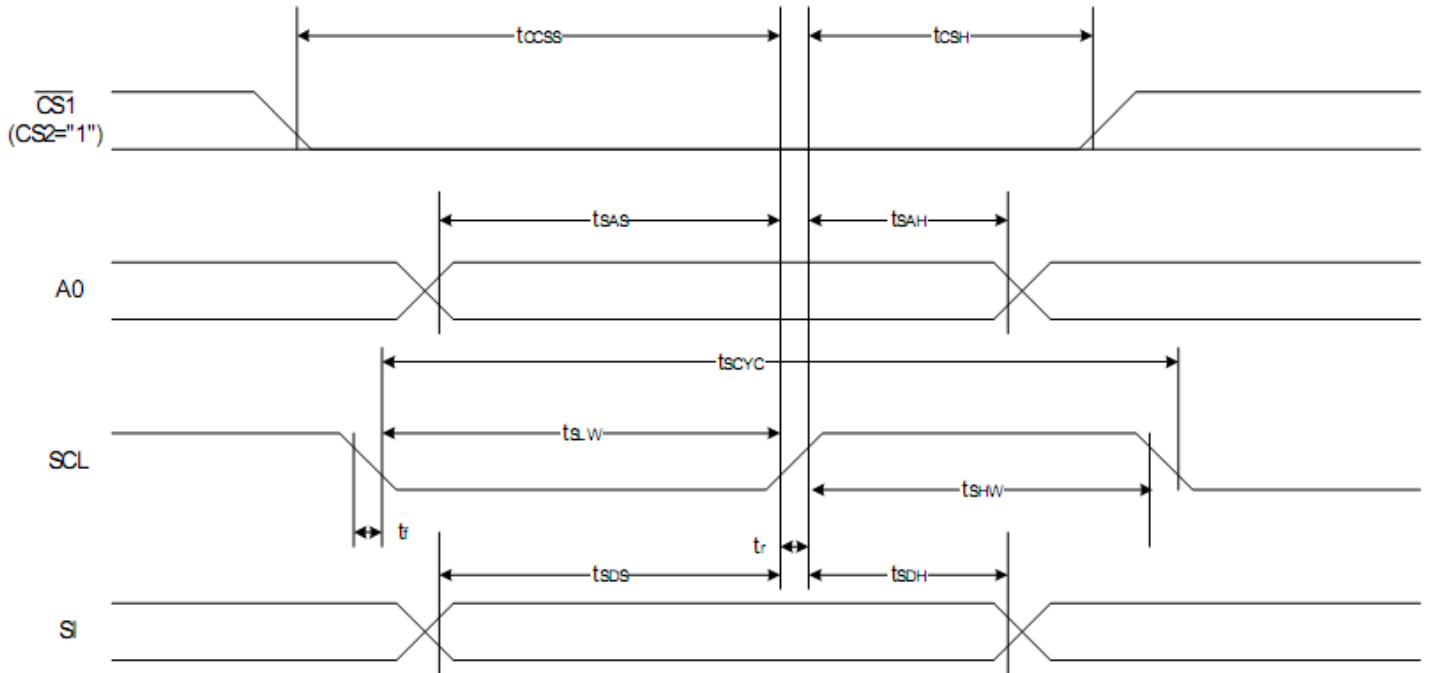
Item	Symbol	Condition	Min.	Typ.	Max.	Unit
Viewing Angle - Vertical	θ	CR \geq 2	-60	-	+35	°
Viewing Angle - Horizontal	Φ	CR \geq 2	-40	-	+40	°
Contrast Ratio	CR		-	6	-	-
Response Time (rise)	Tr		-	150	250	ms
Response Time (fall)	Tf		-	150	250	ms

Controller Information

Built-in ST7565P. Download specification at http://www.newhavendisplay.com/app_notes/ST7565.pdf

Timing Characteristics

The Serial Interface



Item	Signal	Symbol	Condition	Rating		Units
				Min.	Max.	
Serial Clock Period	SCL	t_{SCYC}		400	—	ns
SCL "H" pulse width		t_{SHW}		120	—	
SCL "L" pulse width		t_{SLW}		120	—	
Address setup time	A0	t_{SAS}		50	—	
Address hold time		t_{SAH}		50	—	
Data setup time	SI	t_{SDS}		50	—	
Data hold time		t_{SDH}		50	—	
CS-SCL time	CS	t_{CSS}		50	—	
CS-SCL time		t_{CSH}		150	—	

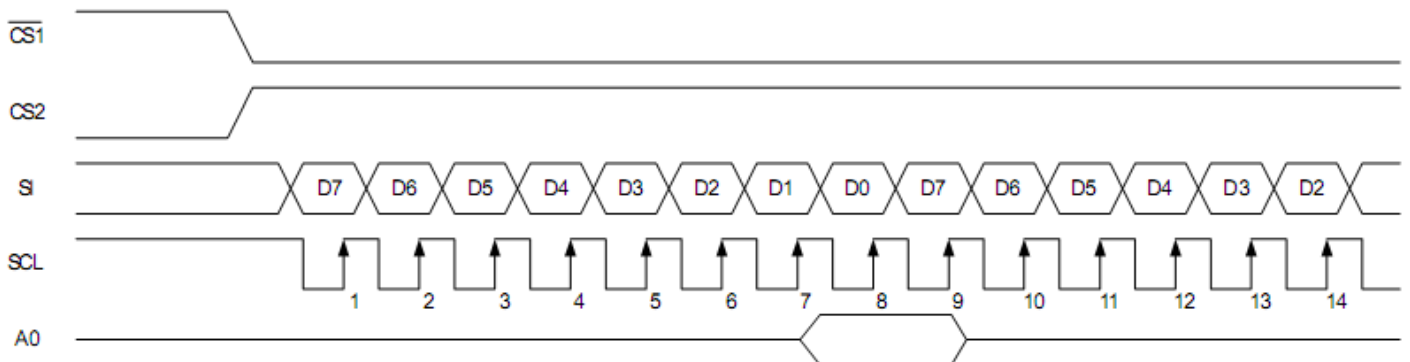


Table of Commands

Command	Command Code								Function											
	A0	/RD	/WR	D7	D6	D5	D4	D3		D2	D1	D0								
(1) Display ON/OFF	0	1	0	1	0	1	0	1	1	1	0	1	LCD display ON/OFF 0: OFF, 1: ON							
(2) Display start line set	0	1	0	0	1	Display start address						0	Sets the display RAM display start line address							
(3) Page address set	0	1	0	1	0	1	1	Page address					Sets the display RAM page address							
(4) Column address set upper bit	0	1	0	0	0	0	1	Most significant column address				Sets the most significant 4 bits of the display RAM column address. Sets the least significant 4 bits of the display RAM column address.								
Column address set lower bit	0	1	0	0	0	0	0	Least significant column address												
(5) Status read	0	0	1	Status				0	0	0	0		Reads the status data							
(6) Display data write	1	1	0	Write data								Writes to the display RAM								
(7) Display data read	1	0	1	Read data								Reads from the display RAM								
(8) ADC select	0	1	0	1	0	1	0	0	0	0	0	1	Sets the display RAM address SEG output correspondence 0: normal, 1: reverse							
(9) Display normal/reverse	0	1	0	1	0	1	0	0	1	1	0	1	Sets the LCD display normal/reverse 0: normal, 1: reverse							
(10) Display all points ON/OFF	0	1	0	1	0	1	0	0	1	0	0	1	Display all points 0: normal display 1: all points ON							
(11) LCD bias set	0	1	0	1	0	1	0	0	0	1	0	1	Sets the LCD drive voltage bias ratio 0: 1/9 bias, 1: 1/7 bias (ST7565)							
(12) Read/modify/write	0	1	0	1	1	1	0	0	0	0	0	0	Column address increment At write: +1 At read: 0							
(13) End	0	1	0	1	1	1	0	1	1	1	0		Clear read/modify/write							
(14) Reset	0	1	0	1	1	1	0	0	0	1	0		Internal reset							
(15) Common output mode select	0	1	0	1	1	0	0	0	*	*	*	1	Select COM output scan direction 0: normal direction 1: reverse direction							
(16) Power control set	0	1	0	0	0	1	0	1	Operating mode				Select internal power supply operating mode							
(17) Vs voltage regulator internal resistor ratio set	0	1	0	0	0	1	0	0	Resistor ratio				Select internal resistor ratio(Rb/Ra) mode							
(18) Electronic volume mode set Electronic volume register set	0	1	0	1	0	0	0	0	0	0	0	1	0	0	0	0	0	0	1	Set the Vs output voltage electronic volume register
(19) Static indicator ON/OFF Static indicator register set	0	1	0	1	0	1	0	1	1	0	0	1	0	0	0	0	0	0	Mode	0: OFF, 1: ON Set the flashing mode
(20) Power saver																				Display OFF and display all points ON compound command
(21) NOP	0	1	0	1	1	1	0	0	0	1	1									Command for non-operation
(22) Test	0	1	0	1	1	1	1	*	*	*	*									Command for IC test. Do not use this command

Example Initialization Program

```
.....  
Sub Command  
Reset P3.7  
Reset P3.4  
For Writecount = 1 To 8  
Rotate A , Left , 1  
Reset P3.1  
P1 = A  
Set P3.1  
Next Writecount  
Set P3.7  
End Sub  
.....
```

```
Sub Write  
Reset P3.7  
Set P3.4  
For Writecount = 1 To 8  
Rotate A , Left , 1  
Reset P3.1  
P1 = A  
Set P3.1  
Next Writecount  
Set P3.7  
End Sub  
.....
```

```
Sub Init  
Waitms 100  
A = &HA0  
Call Command  
A = &HAE  
Call Command  
A = &HC0  
Call Command  
A = &HA2  
Call Command  
A = &H2F  
Call Command  
A = &H26  
Call Command  
A = &H81  
Call Command  
A = &H11  
Call Command  
A = &HAF  
Call Command  
End Sub  
.....
```

Quality Information

Test Item	Content of Test	Test Condition	Note
High Temperature storage	Endurance test applying the high storage temperature for a long time.	+80°C , 48hrs	2
Low Temperature storage	Endurance test applying the low storage temperature for a long time.	-30°C , 48hrs	1,2
High Temperature Operation	Endurance test applying the electric stress (voltage & current) and the high thermal stress for a long time.	+70°C 48hrs	2
Low Temperature Operation	Endurance test applying the electric stress (voltage & current) and the low thermal stress for a long time.	-20°C , 48hrs	1,2
High Temperature / Humidity Operation	Endurance test applying the electric stress (voltage & current) and the high thermal with high humidity stress for a long time.	+40°C , 90% RH , 48hrs	1,2
Thermal Shock resistance	Endurance test applying the electric stress (voltage & current) during a cycle of low and high thermal stress.	-0°C,30min -> 25°C,5min -> 50°C,30min = 1 cycle 10 cycles	
Vibration test	Endurance test applying vibration to simulate transportation and use.	10-55Hz , 15mm amplitude. 60 sec in each of 3 directions X,Y,Z For 15 minutes	3
Static electricity test	Endurance test applying electric static discharge.	VS=800V, RS=1.5kΩ, CS=100pF One time	

Note 1: No condensation to be observed.

Note 2: Conducted after 4 hours of storage at 25°C, 0%RH.

Note 3: Test performed on product itself, not inside a container.

Precautions for using LCDs/LCMs

See Precautions at www.newhavendisplay.com/specs/precautions.pdf

Warranty Information and Terms & Conditions

http://www.newhavendisplay.com/index.php?main_page=terms