



Chipsmall Limited consists of a professional team with an average of over 10 year of expertise in the distribution of electronic components. Based in Hongkong, we have already established firm and mutual-benefit business relationships with customers from,Europe,America and south Asia,supplying obsolete and hard-to-find components to meet their specific needs.

With the principle of “Quality Parts,Customers Priority,Honest Operation,and Considerate Service”,our business mainly focus on the distribution of electronic components. Line cards we deal with include Microchip,ALPS,ROHM,Xilinx,Pulse,ON,Everlight and Freescale. Main products comprise IC,Modules,Potentiometer,IC Socket,Relay,Connector.Our parts cover such applications as commercial,industrial, and automotives areas.

We are looking forward to setting up business relationship with you and hope to provide you with the best service and solution. Let us make a better world for our industry!



Contact us

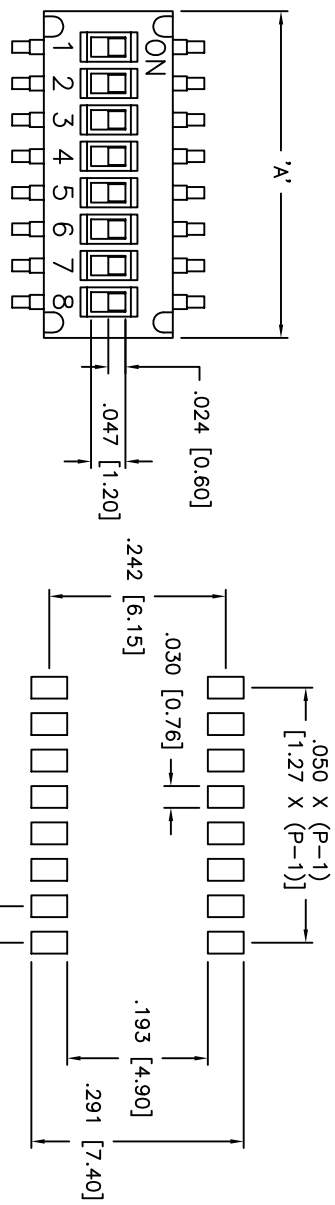
Tel: +86-755-8981 8866 Fax: +86-755-8427 6832

Email & Skype: info@chipsmall.com Web: www.chipsmall.com

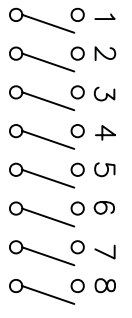
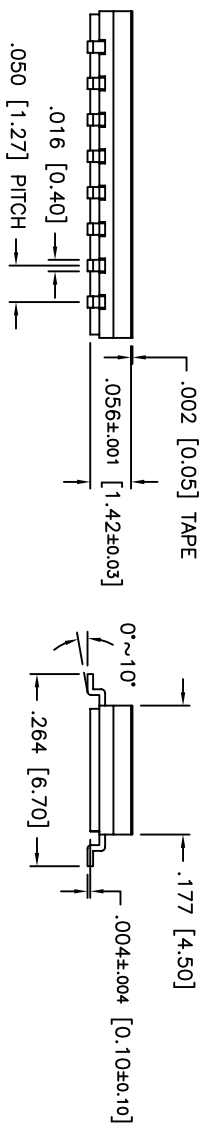
Address: A1208, Overseas Decoration Building, #122 Zhenhua RD., Futian, Shenzhen, China



THIS DOCUMENT IS THE PROPERTY OF APDM COMPONENTS AND SHALL NOT BE COPIED, REPRODUCED, DISCLOSED OR USED AS THE BASIS FOR MANUFACTURING OR SALE WITHOUT PERMISSION OF A DULY AUTHORIZED REPRESENTATIVE OF APDM COMPONENTS INC.



P.C. LAYOUT
UNLESS OTHERWISE SPECIFIED
P.C. TOLERANCES ARE ±.002 [0.05]



CIRCUIT DIAGRAM

MODEL NUMBER	NO. OF POSITIONS	DIMENSION 'A'
NHDS02	2	.148 [3.77]
NHDS04	4	.248 [6.31]
NHDS06	6	.348 [8.85]
NHDS08	8	.448 [11.39]
NHDS10	10	.548 [13.93]

PROD. NO.: NHDS*****
 PROD. SERIES: _____
 NUMBER OF POSITIONS: _____
 02 = 2
 04 = 4
 06 = 6
 08 = 8
 10 = 10

PAKAGING
 □ = TUBE
 T/R = TAPE & REEL

SEALING
 □ = REGULAR
 T = TOP TAPE SEAL

PLATING: _____
 □ = 3u" GOLD MIN
 A = 10u" GOLD MIN.

IN ON POSITION
 □ = IN ON POSITION
 F = IN OFF POSITION

DESCRIPTION: SURFACE MOUNT DIP SWITCH
 WITH TAPE SEAL OPTION.
 SPECIFICATIONS:

SWITCHING RATING: 25mA, 24VDC.
 NON-SWITCHING RATING: 100mA, 50VDC.
 CONTACT RESISTANCE: 100 MOHMS MAX
 DIELECTRIC STRENGTH: 300VAC for 1 MINUTE.
 INSULATION RESISTANCE: 100MOHMS MIN. AT 500VDC
 CAPACITANCE: 5PF MAX.
 OPERATING FORCE: 500 gf MAX.
 STROKE: 0.6mm
 OPERATING TEMP: -40° to 85° C.
 STORAGE TEMP: -40° to 85° C.
 ELECTRICAL LIFE: 1,000 CYCLES.
 MECHANICAL LIFE: 1,000 OPERATIONS.
 CIRCUIT: 1 POLE 1 THROW.
 VIBRATION TEST: PASSES METHOD 201A. MIL-STD-202F.
 SHOCK TEST: 50g PER METHOD 213B. MIL-STD-202F.

MATERIALS:
 BASE & COVER: UL94V-0 NYLON THERMOPLASTIC
 COLOR, BLACK
 ACTUATOR: LCP THERMOPLASTIC.
 COLOR, WHITE
 CONTACT: COPPER ALLOY WITH GOLD PLATING OVER NICKEL
 TERMINAL: BRASS WITH GOLD PLATING
 TAPE: KAPTON
 SOLDERING:
 VAPOR PHASE & IR REFLOW CAN BE APPLIED.
 240C MAX.

DATE	SYM	REVISION RECORD	DWNL	CK
10/05	A	ECO# 484	CD	

QA INSPECT: DIMENSIONS CRITICAL TOLERANCES (DIM) .XX±.02[0.05] .XXX±.008[0.20] .XXXX±.0008[0.02] ANGLE = 30.5°		63 Neck Rd. Hendersonville, NC 27535 Phone: 704-772-5554 Fax: 704-772-5554		DRN: PJD BR: ORK
SHEET 1 OF 1 SIZE B SCALE B:1 THIRD ANGLE PROJECTION	TITLE NHDS**			DATE: 12/28/04 DRAWING NO: B7627 REV: A