



Chipsmall Limited consists of a professional team with an average of over 10 year of expertise in the distribution of electronic components. Based in Hongkong, we have already established firm and mutual-benefit business relationships with customers from,Europe,America and south Asia,supplying obsolete and hard-to-find components to meet their specific needs.

With the principle of “Quality Parts,Customers Priority,Honest Operation,and Considerate Service”,our business mainly focus on the distribution of electronic components. Line cards we deal with include Microchip,ALPS,ROHM,Xilinx,Pulse,ON,Everlight and Freescale. Main products comprise IC,Modules,Potentiometer,IC Socket,Relay,Connector.Our parts cover such applications as commercial,industrial, and automotives areas.

We are looking forward to setting up business relationship with you and hope to provide you with the best service and solution. Let us make a better world for our industry!



Contact us

Tel: +86-755-8981 8866 Fax: +86-755-8427 6832

Email & Skype: info@chipsmall.com Web: www.chipsmall.com

Address: A1208, Overseas Decoration Building, #122 Zhenhua RD., Futian, Shenzhen, China

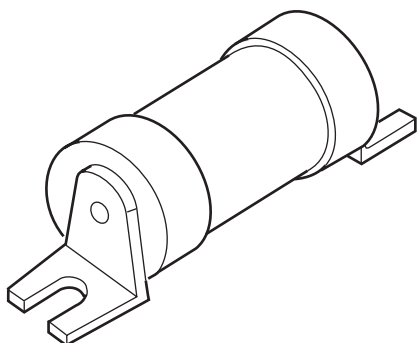


Industrial HRC Fuse

13.8 x 54.5mm, BS88, IEC 269-1

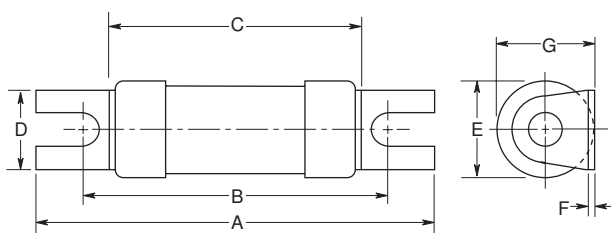
Offset Bolted Tags

NITD

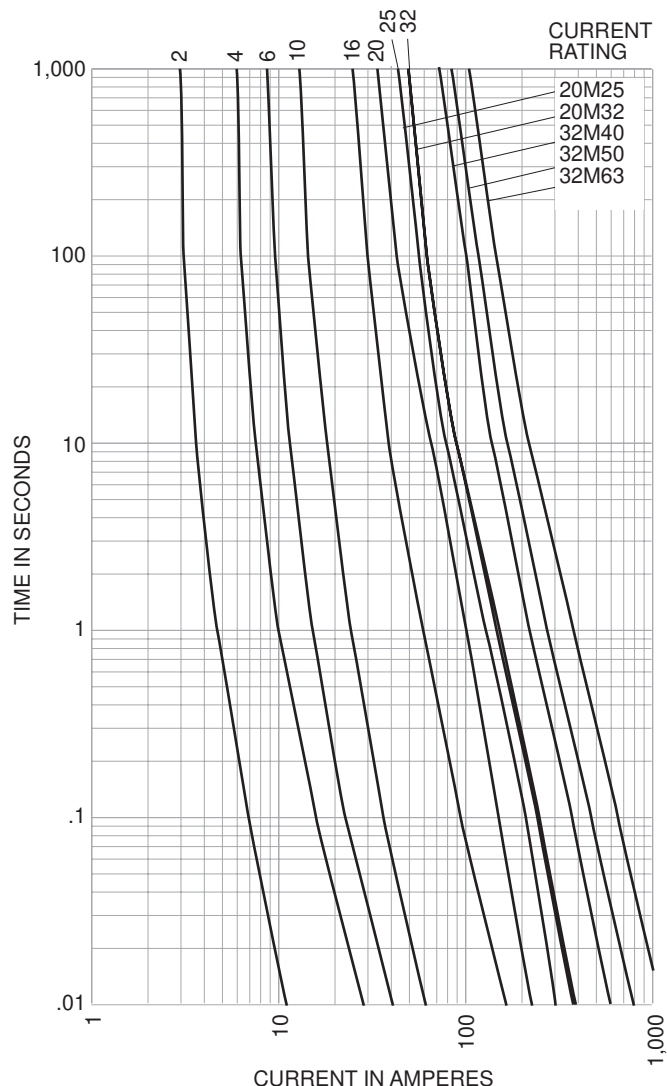


CATALOG SYMBOL: NITD
 INDUSTRIAL HRC FUSE
 OFFSET BOLTED TAGS
 PACKAGE QUANTITY: 20
 80kA INTERRUPTING RATING
 MOUNTS IN CAMASTER SERIES OF HOLDERS

Dimensional Data:



Time-Current Characteristic Curve (Full Size Curves Available)



Electrical Characteristics

Catalog Number	Ampere Rating	I ² T (Amp ² Seconds)			Nom Watts Loss	Rated Voltage	Dimensions (Inches/mm)						
		Pre-Arcing	Total At 415V	Total At 550V			A	B	C	D	E	F	G
NITD2	2	1.3	4.6	5	0.9	550AC	55.2	42.5	1.36	0.44	13.7	0.03	0.56
NITD4	4	8	27	30	1.4								
NITD6	6	29	100	115	1.8								
NITD10	10	120	400	490	2.1								
NITD16	16	120	500	730	1.8								
NITD20	20	260	1070	1700	1.8								
NITD25	25	560	2300	3550	2								
NITD32	32	710	3000	5000	2.9								
NITD20M25	20M25	575	2300	3700	1.2								
NITD20M32	20M32	720	3000	6000	0.95								
NITD32M40	32M40	1500	6000	—	1.9	415AC	55.5	42.5	35.5	11.1	17.5	1.2	18.2
NITD32M50	32M50	2700	8600	—	1.4								
NITD32M63	32M63	5000	13,400	—	1.0								

The only controlled copy of this BIF document is the electronic read-only version located on the Bussmann Network Drive. All other copies of this BIF document are by definition uncontrolled. This bulletin is intended to clearly present comprehensive product data and provide technical information that will help the end user with design applications. Bussmann reserves the right, without notice, to change design or construction of any products and to discontinue or limit distribution of any products. Bussmann also reserves the right to change or update, without notice, any technical information contained in this bulletin. Once a product has been selected, it should be tested by the user in all possible applications.