



Chipsmall Limited consists of a professional team with an average of over 10 year of expertise in the distribution of electronic components. Based in Hongkong, we have already established firm and mutual-benefit business relationships with customers from,Europe,America and south Asia,supplying obsolete and hard-to-find components to meet their specific needs.

With the principle of “Quality Parts,Customers Priority,Honest Operation,and Considerate Service”,our business mainly focus on the distribution of electronic components. Line cards we deal with include Microchip,ALPS,ROHM,Xilinx,Pulse,ON,Everlight and Freescale. Main products comprise IC,Modules,Potentiometer,IC Socket,Relay,Connector.Our parts cover such applications as commercial,industrial, and automotives areas.

We are looking forward to setting up business relationship with you and hope to provide you with the best service and solution. Let us make a better world for our industry!



Contact us

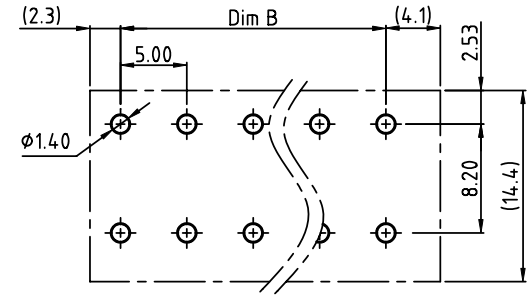
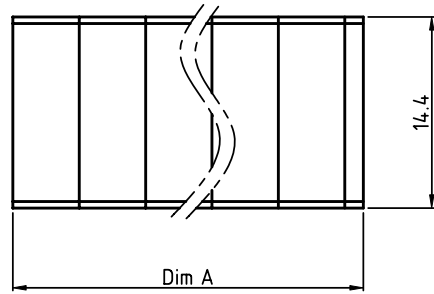
Tel: +86-755-8981 8866 Fax: +86-755-8427 6832

Email & Skype: info@chipsmall.com Web: www.chipsmall.com

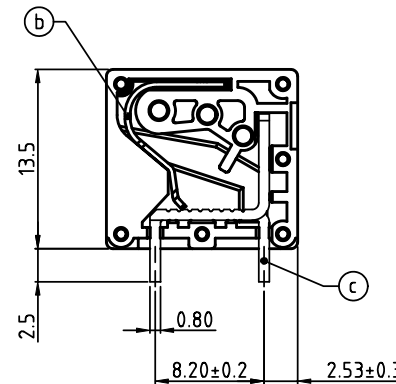
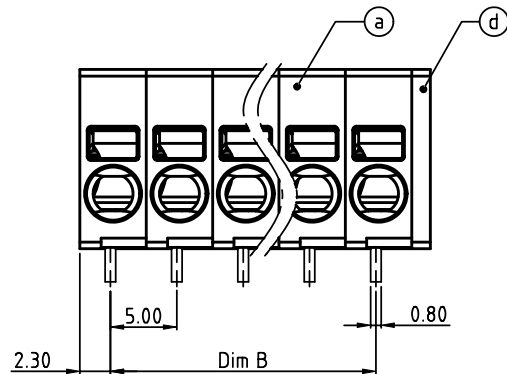
Address: A1208, Overseas Decoration Building, #122 Zhenhua RD., Futian, Shenzhen, China



| | |
|----------------|--------|
| PRODUCT NUMBER | PITCH |
| NJxx01x000J0G | 5.00mm |



RECOMMENDED P.C.B LAYOUT
TOP VIEW



Material:

- Item a Terminal housing : Thermoplastic (UL 94V-0)
- Item b Spring clamp: Stainless steel
- Item c Solder pin: Brass, Tin plated
- Item d Terminal cover: Thermoplastic (UL 94V-0)

Electrical:

- Voltage rating: 300 V
- Current rating(Sol): 13A
- Current rating(Str): 16 A
- Wire range: cULus
- Solid wire(AWG): 14-24
- Stranded wire(AWG): 12-24
- Wire strip length: 9-10mm
- Withstanding Voltage: 1.6KV
- Operating temperature: -40°C to +115°C
- Soldering temperature: 260°C±5°C/5 Sec
- Safety Approval:

N=Number of poles
Dim A=Nx5.00+1.40
Dim B=(N-1)x5.00

| POLES | Dim A | Dim B |
|--------|-------|-------|
| 1p | ±0.10 | |
| 2-6p | ±0.10 | ±0.10 |
| 7-12p | ±0.20 | ±0.20 |
| 13-18p | ±0.30 | ±0.30 |
| 19-24p | ±0.40 | ±0.40 |

PART NO.: NJ xx 01 x 000J0 G

| No. of poles | Color | RoHS compliant |
|---------------|---------------------|------------------------------|
| 0 | Black (RAL9005) | (lead<4%) In copper Alloy |
| End Stackable | 2 Red (RAL3001/D) | |
| 01 1 poles | 3 Orange(RAL2011/P) | |
| 02 2 poles | 4 Yellow(RAL1018/A) | |
| ... | 5 Green(RAL6018/T) | |
| 24 24 poles | 6 Blue (RAL5015/A) | |
| | 8 Grey(RAL7004/P) | |
| | 9 White(RAL1102) | |
| | C Multiple colors | |

| | | | | | |
|--------------------|----------------|---------------------------------------|----------------------|------------|------------------------------|
| mat'l. code | | surface ASME Y14.5 | tolerance ASME Y14.5 | projection | product family |
| ltr ecn no dr date | | tolerances unless otherwise specified | | | TERMINAL BLOCK |
| | | angles | X.±0.5 | MM | title |
| | | X*±1° | X.X±0.3 | | TERMINAL BLOCK |
| | | | X.XX±0.1 | scale | SPRING CLAMP,180D WIRE INLET |
| | | dr | EVIN ZHONG 060514 | | dwg no |
| | | enr | EVIN ZHONG 060514 | | sheet 1 of 1 |
| | | chr | HANKE FENG 060514 | | size |
| | | appd | SHI JUN 060514 | | A4 |
| sheet index | revision sheet | A | | | type CUSTOMER Drawing |