



Chipsmall Limited consists of a professional team with an average of over 10 year of expertise in the distribution of electronic components. Based in Hongkong, we have already established firm and mutual-benefit business relationships with customers from,Europe,America and south Asia,supplying obsolete and hard-to-find components to meet their specific needs.

With the principle of "Quality Parts,Customers Priority,Honest Operation,and Considerate Service",our business mainly focus on the distribution of electronic components. Line cards we deal with include Microchip,ALPS,ROHM,Xilinx,Pulse,ON,Everlight and Freescale. Main products comprise IC,Modules,Potentiometer,IC Socket,Relay,Connector.Our parts cover such applications as commercial,industrial, and automotives areas.

We are looking forward to setting up business relationship with you and hope to provide you with the best service and solution. Let us make a better world for our industry!



Contact us

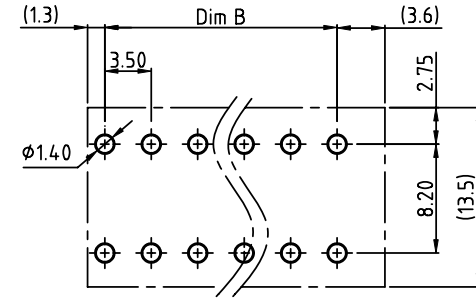
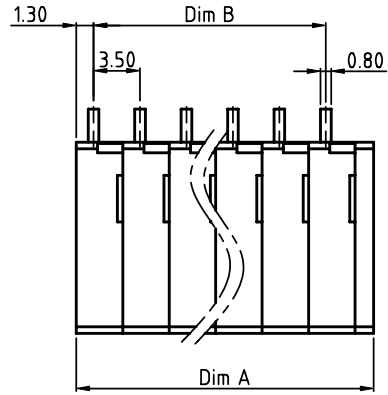
Tel: +86-755-8981 8866 Fax: +86-755-8427 6832

Email & Skype: info@chipsmall.com Web: www.chipsmall.com

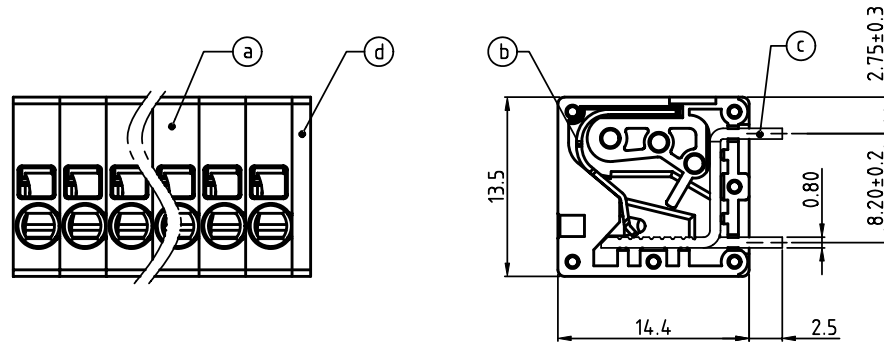
Address: A1208, Overseas Decoration Building, #122 Zhenhua RD., Futian, Shenzhen, China



PRODUCT NUMBER	PITCH
NJxx20x000J0G	3.50mm



RECOMMENDED P.C.B LAYOUT
TOP VIEW



N=Number of poles
Dim A=Nx3.50+1.40
Dim B=(N-1)x3.50

POLES	Dim A	Dim B
1p	±0.10	—
2-6p	±0.10	±0.10
7-12p	±0.20	±0.20
13-18p	±0.30	±0.30
19-24p	±0.40	±0.40

PART NO.: NJ xx 20 x 000J0 G

No. of poles	Color	RoHS compliant
0	Black (RAL9005)	(lead<4%) In copper Alloy
End Stackable 2	Red (RAL3001/D)	
01 1 poles	3 Orange(RAL2011/P)	
02 2 poles	4 Yellow(RAL1018/A)	
...	5 Green(RAL6018/T)	
24 24 poles	6 Blue (RAL5015/A)	
	8 Grey(RAL7004/P)	
	9 White(RAL1102)	
	C Multiple colors	

Material:

- Item (a) Terminal housing: Thermoplastic (UL 94V-0)
- Item (b) Spring clamp: Stainless steel
- Item (c) Solder pin: Brass, Tin plated
- Item (d) Terminal cover: Thermoplastic (UL 94V-0)

Electrical

- Voltage rating: 300VAC
- Current rating: 10A
- Wire range:
 - Solid wire(AWG): 16-24
 - Stranded wire(AWG): 16-24
 - Wire strip length: 9-10mm
- Withstanding Voltage: 1.6KV
- Operating temperature: -40°C to +115°C
- Soldering temperature: 260°C±5°C/5 Sec
- Safety Approval:

mat'l. code		surface ASME Y14.5	tolerance ASME Y14.5	projection 	product family TERMINAL BLOCK
ltr	ecn no	dr	date	tolerances unless otherwise specified	title TERMINAL BLOCK
				angles 	SPRING CLAMP, 90D WIRE INLET
				X*±1°	scale
				dr EVIN ZHONG 060514	dwg no
				enr EVIN ZHONG 060514	sheet 1 of 1
				chr HANKE FENG 060514	size A4
				appd SHI JUN 060514	type CUSTOMER Drawing
sheet index	revision sheet	A	1		