



Chipsmall Limited consists of a professional team with an average of over 10 year of expertise in the distribution of electronic components. Based in Hongkong, we have already established firm and mutual-benefit business relationships with customers from,Europe,America and south Asia,supplying obsolete and hard-to-find components to meet their specific needs.

With the principle of “Quality Parts,Customers Priority,Honest Operation,and Considerate Service”,our business mainly focus on the distribution of electronic components. Line cards we deal with include Microchip,ALPS,ROHM,Xilinx,Pulse,ON,Everlight and Freescale. Main products comprise IC,Modules,Potentiometer,IC Socket,Relay,Connector.Our parts cover such applications as commercial,industrial, and automotives areas.

We are looking forward to setting up business relationship with you and hope to provide you with the best service and solution. Let us make a better world for our industry!



## Contact us

Tel: +86-755-8981 8866 Fax: +86-755-8427 6832

Email & Skype: info@chipsmall.com Web: www.chipsmall.com

Address: A1208, Overseas Decoration Building, #122 Zhenhua RD., Futian, Shenzhen, China

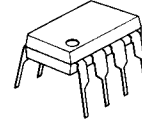


## DUAL LOW VOLTAGE POWER AMPLIFIER

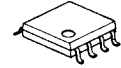
### ■ GENERAL DESCRIPTION

The NJM2073 is a monolithic integrated circuit in 8 lead dual-in-line package, which is designed for dual audio power amplifier in portable radio and handy cassette player.

### ■ PACKAGE OUTLINE



NJM2073D

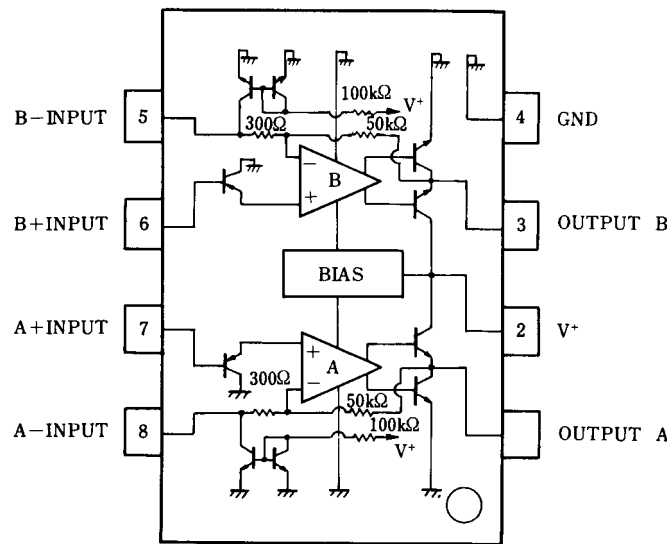


NJM2073M

### ■ FEATURES

- Operating Voltage (V<sup>+</sup>=1.8V~15V)
- Low Crossover Distortion
- Low Operating Current
- Bridge or Stereo Configuration
- No Turn-on Noise
- Package Outline DIP8,DMP8
- Bipolar Technology

### ■ PIN CONFIGURATION



NJM2073D  
NJM2073M

# NJM2073

## ■ ABSOLUTE MAXIMUM RATINGS

( Ta=25°C )

PARAMETER	SYMBOL	RATINGS	UNIT
Supply Voltage	$V^+$	15	V
Output Peak Current	$I_{OP}$	1	A
Power Dissipation	$P_D$	( DIP8 ) 700 ( DMP8 ) 300	mW
Input Voltage Range	$V_{IN}$	$\pm 0.4$	V
Operating Temperature Range	$T_{opr}$	-40~+85	°C
Storage Temperature Range	$T_{stg}$	-40~+125	°C

## ■ ELECTRICAL CHARACTERISTICS D-Type

(1) BTL Configuration ( Test Circuit Fig.1 )

(  $V^+=6V, Ta=25^\circ C$  )

PARAMETER	SYMBOL	TEST CONDITION	MIN.	TYP.	MAX.	UNIT
Operating Voltage	$V^+$		1.8	-	15	V
Operating Current	$I_{CC}$	$R_L=\infty$	-	6	9	mA
Output Offset Voltage ( Between the Outputs )	$\Delta V_O$	$R_L=8\Omega$	-	10	50	mV
Input Bias Current	$I_B$		-	100	-	nA
Output Power	$P_O$	THD=10%, f=1kHz				
	$P_O$	$V^+=9V, R_L=16\Omega$ ( Note )	-	2.0	-	W
	$P_O$	$V^+=6V, R_L=8\Omega$ ( Note )	0.9	1.2	-	W
	$P_O$	$V^+=4.5V, R_L=8\Omega$	-	0.6	-	W
	$P_O$	$V^+=4.5V, R_L=4\Omega$ ( Note )	-	0.8	-	W
	$P_O$	$V^+=3V, R_L=4\Omega$	200	300	-	mW
	$P_O$	$V^+=2V, R_L=4\Omega$	-	80	-	mW
	$P_O$	THD=1%, f=40Hz~15kHz				
	$P_O$	$V^+=6V, R_L=8\Omega$	-	1.0	-	W
	$P_O$	$V^+=4.5V, R_L=4\Omega$	-	0.6	-	W
Total Harmonic Distortion	THD	$P_O=0.5W, R_L=8\Omega, f=1kHz$	-	0.2	-	%
Close Loop Voltage Gain	$A_V$	f=1kHz	41	44	47	dB
Input Impedance	$Z_{IN}$	f=1kHz	100	-	-	k $\Omega$
Equivalent Input Noise Voltage	$V_{NI1}$	$R_S=10k\Omega, A$ Curve	-	2	-	$\mu V$
	$V_{NI2}$	$R_S=10k\Omega, B=22Hz\sim 22kHz$	-	2.5	-	$\mu V$
Ripple Rejection	RR	f=100Hz	-	40	-	dB
Cutoff Frequency	$f_H$	$A_V=-3dB$ from f=1kHz, $R_L=8\Omega, P_O=1W$	-	130	-	kHz

( Note ) At on PC Board

## (2) Stereo Configuration ( Test Circuit Fig.2 )

PARAMETER	SYMBOL	TEST CONDITION	MIN.	TYP.	MAX.	UNIT
Operating Voltage	$V^+$		1.8	-	15	V
Output Voltage	$V_O$		-	2.7	-	V
Operating Current	$I_{CC}$	$R_L = \infty$	-	6	9	mA
Input Bias Current	$I_B$		-	100	-	nA
Output Power ( Each Channel )		THD=10%,f=1kHz				
	$P_O$	$V^+=6V, R_L=4\Omega$ ( Note )	0.5	0.65	-	W
	$P_O$	$V^+=4.5V, R_L=4\Omega$	-	0.32	-	W
	$P_O$	$V^+=3V, R_L=4\Omega$	-	120	-	mW
	$P_O$	$V^+=2V, R_L=4\Omega$	-	30	-	mW
		THD=1%,f=1kHz				
	$P_O$	$V^+=6V, R_L=4\Omega$	-	500	-	mW
	$P_O$	$V^+=4.5V, R_L=4\Omega$	-	250	-	mW
Total Harmonic Distortion	THD	$P_O=0.4W, R_L=4\Omega, f=1kHz$	-	0.25	-	%
Voltage Gain	$A_V$	f=1kHz	41	44	47	dB
Channel Balance	$\Delta A_V$		-	-	$\pm 1$	dB
Input Impedance	$Z_{IN}$	f=1kHz	100	-	-	k $\Omega$
Equivalent Input Noise Voltage	$V_{NI1}$	$R_S=10k\Omega, A$ Curve	-	2.5	-	$\mu V$
	$V_{NI2}$	$R_S=10k\Omega, B=22Hz\sim 22kHz$	-	3	-	$\mu V$
Ripple Rejection	RR	f=100Hz, $C_X=100\mu F$	24	30	-	dB
Cutoff Frequency	$f_H$	$A_V=-3dB$ from f=1kHz, $R_L=8\Omega, P_O=250mW$	-	200	-	kHz

( Note ) At on PC Board

## ■ ELECTRICAL CHARACTERISTICS M-Type

### (1) BTL Configuration ( Test Circuit Fig.1 )

(  $V^+=6V, T_a=25^\circ C$  )

PARAMETER	SYMBOL	TEST CONDITION	MIN.	TYP.	MAX.	UNIT
Operating Voltage	$V^+$		1.8	-	15	V
Operating Current	$I_{CC}$	$R_L = \infty$	-	6	9	mA
Output Offset Voltage ( Between the Outputs )	$\Delta V_O$	$R_L=8\Omega$	-	10	50	mV
Input Bias Current	$I_B$		-	100	-	nA
Output Power		THD=10%,f=1kHz				
	$P_O$	$V^+=6V, R_L=16\Omega$ ( Note )	-	0.8	-	W
	$P_O$	$V^+=4V, R_L=8\Omega$ ( Note )	350	460	-	mW
	$P_O$	$V^+=3V, R_L=4\Omega$ ( Note )	200	300	-	mW
	$P_O$	$V^+=2V, R_L=4\Omega$	-	80	-	mW
		THD=1%,f=40Hz~15kHz				
	$P_O$	$V^+=4V, R_L=8\Omega$	-	380	-	mW
Total Harmonic Distortion	THD	$V^+=4V, R_L=8\Omega, P_O=200mW, f=1kHz$	-	0.2	-	%
Close Loop Voltage Gain	$A_V$	f=1kHz	41	44	47	dB
Input Impedance	$Z_{IN}$	f=1kHz	100	-	-	k $\Omega$
Equivalent Input Noise Voltage	$V_{NI1}$	$R_S=10k\Omega, A$ Curve	-	2	-	$\mu V$
	$V_{NI2}$	$R_S=10k\Omega, B=22Hz\sim 22kHz$	-	2.5	-	$\mu V$
Ripple Rejection	RR	f=100Hz	-	40	-	dB
Cutoff Frequency	$f_H$	$A_V=-3dB$ from f=1kHz, $R_L=16\Omega, P_O=0.5W$	-	130	-	kHz

( Note ) At on PC Board

# NJM2073

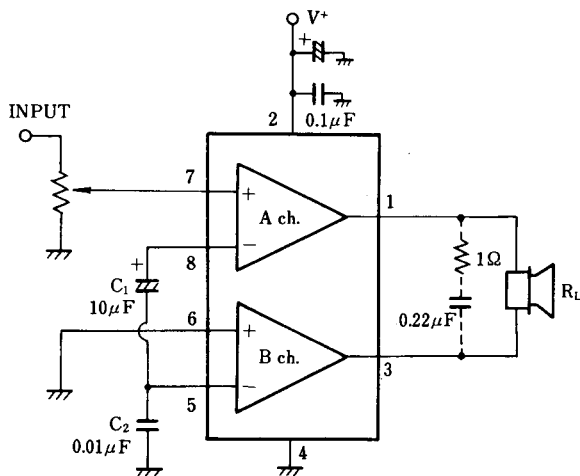
## (2) Stereo Configuration ( Test Circuit Fig.2 )

PARAMETER	SYMBOL	TEST CONDITION	MIN.	TYP.	MAX.	UNIT
Operating Voltage	$V^+$		1.8	-	15	V
Output Voltage	$V_o$		-	2.7	-	V
Operating Current	$I_{CC}$	$R_L = \infty$	-	6	9	mA
Input Bias Current	$I_B$		-	100	-	nA
Output Power ( Each Channel )		THD=10%, f=1kHz				
	$P_o$	$V^+ = 6V, R_L = 16\Omega$	-	240	-	mW
	$P_o$	$V^+ = 5V, R_L = 8\Omega$ ( Note )	-	270	-	mW
	$P_o$	$V^+ = 4V, R_L = 4\Omega$ ( Note )	180	250	-	mW
	$P_o$	$V^+ = 3V, R_L = 4\Omega$	-	120	-	mW
	$P_o$	$V^+ = 2V, R_L = 4\Omega$	-	30	-	mW
		THD=1%, f=1kHz				
	$P_o$	$V^+ = 4V, R_L = 4\Omega$	-	180	-	mW
Total Harmonic Distortion	THD	$V^+ = 4V, R_L = 4\Omega, P_o = 150mW, f = 1kHz$	-	0.25	-	%
Voltage Gain	$A_v$	f=1kHz	41	44	47	dB
Channel Balance	$\Delta A_v$		-	-	$\pm 1$	dB
Input Impedance	$Z_{IN}$	f=1kHz	100	-	-	k $\Omega$
Equivalent Input Noise Voltage	$V_{NI1}$	$R_S = 10k\Omega, A$ Curve	-	2.5	-	$\mu V$
	$V_{NI2}$	$R_S = 10k\Omega, B = 22Hz \sim 22kHz$	-	3	-	$\mu V$
Ripple Rejection	RR	f=100Hz, $C_x = 100\mu F$	24	30	-	dB
Cutoff Frequency	$f_H$	$A_v = -3dB$ from f=1kHz, $R_L = 16\Omega, P_o = 125mW$	-	200	-	kHz

( Note ) At on PC Board

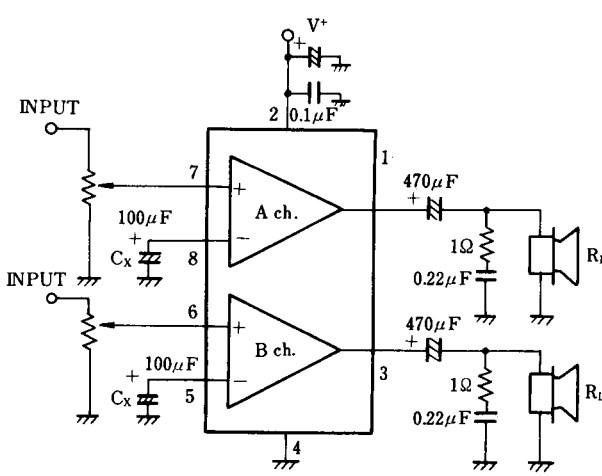
## ■ TYPICAL APPLICATION & TEST CIRCUIT

Fig.1 BTL Configuration



note: pin No. to D,M-Type

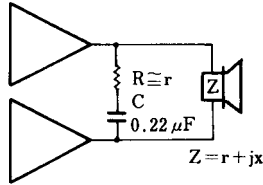
Fig.2 Stereo Configuration



## ■ PARASTIC OSCILLATION PREVENTING CIRCUIT

Put  $1\Omega + 0.22\mu\text{F}$  on parallel to load, if the load is speaker. Recommend putting  $0.1\mu\text{F}$  and more than  $100\mu\text{F}$  capacitors with good high frequency characteristics in to near ground and supply voltage pins.

In BTL operation of less than 2V supply voltage, parastic oscillation may be occurred with  $R=1\Omega$ . And so recommended R to be the same value of pure resistance(r) when it is lower than 3V.



## ■ MUTING CIRCUIT

When Mute ON, OUTPUT level saturates to GND side.

Fig.3 BTL Configuration

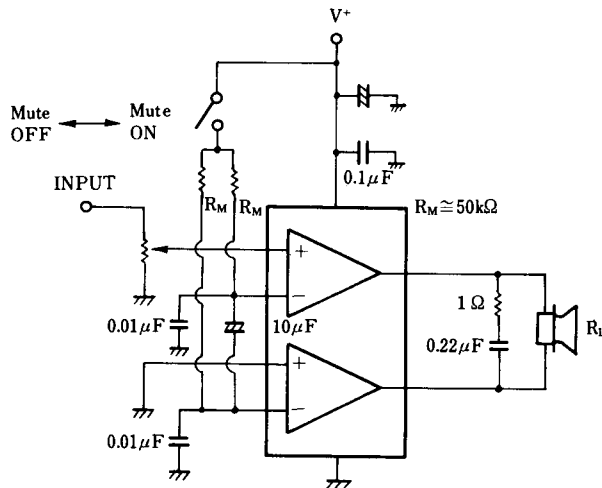
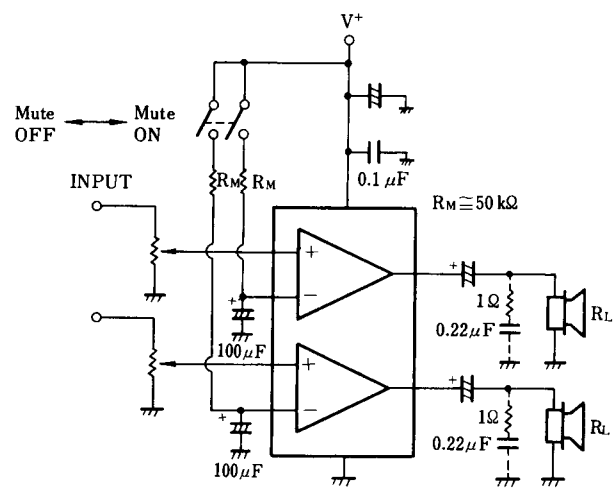


Fig.4 Stereo Configuration



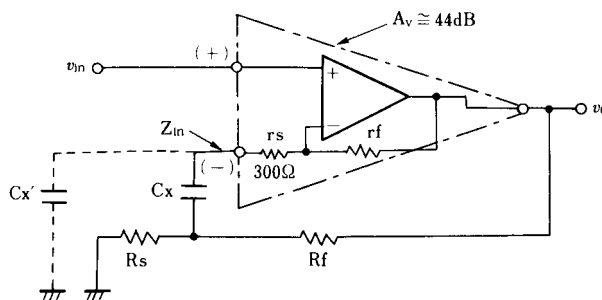
## ■ VOLTAGE GAIN REDUCTION APPLICATION EXAMPLE

(1) Outline of way to further Reduction

NJM2073 by taking in assumption, as one of OP-AMP ( Gain 44dB, minus input impedance about  $300\Omega$  ), to feedback from output to minus input helps to get reduction of stabilized Voltage Gain. Fig.5 indicates the model example.

Here is the point to be noticed that, in order to get the appropriate output Bias Voltage, it is important to keep the minus input floating as DC condition, (inserting  $C_x$ ), and also that when extended too much reduction of Gain might cause Oscillation due to high band phase margin. The reduction of voltage gain is limited at around 26dB (20 times), and when oscillation, it is necessary to attach the oscillation stopper. Please examine the  $C_x$  value accordingly to the application requirement.

Fig.5 Model of Voltage Gain Reduction



$$A_v = \frac{v_o}{v_{in}} \cong \frac{R_s + R_f}{R_s + \frac{R_s + R_f}{A_v} + \frac{R_s \times R_f}{A_v \times Z_{in}}}$$

# NJM2073

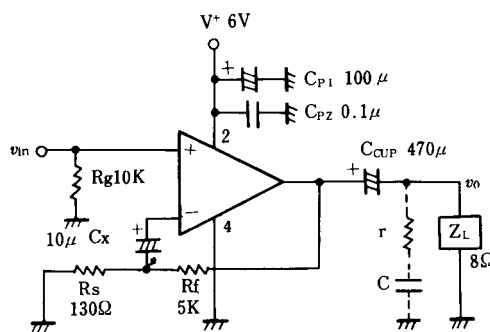
## (2) The Application Example of Voltage Gain Reduction. ( STEREO )

Fig.6 indicates the application example and Table1 indicates the recommendable value of parts to be attached externally.

Table1,Applying purpose and Recommended Value of Externally parts to be attached.

EXTERNAL PARTS	APPLICATION PURPOSE	RECOMMENDED VALUE	REMARKS
$R_g$	Plus input to be grounded by fixed DC	Under about 100k $\Omega$	Catch the noise when much higher.
$R_s$	AV shall be decided with $R_f$	-	
$R_f$	AV shall be decided with $R_s$	About 5k $\Omega$	The co-temperature of AV becomes higher in case when $R_s$ is higher resistance.The current from output pin to GND becomes higher,in case when $R_s$ is lower resistance.(The current sinks in vain.)
$C_x$	Minus input to be grounded by fixed DC	-	Low-band Cut off frequency ( $f_L$ ) is to be decided. The rise time becomes longer in case that $C_x$ is big.
$C_{CUP}$	Output DC Decoupling	When $R_L=8\Omega$ ,More than 220 $\mu$ F	$f_L$ shall be decided by $C_{CUP}$ and $Z_L$ .
$C_{P1}$	Stabilization of $V^+$	More than about $C_{CUP}$	Inserting near around $V^+$ pin and GND pin.
$C_{P2}$	Prevention of Oscillation	More than 0.1 $\mu$ F	
$r$	Prevention of Oscillation	About $R_L$	Inserting near around $V^+$ pin and GND pin.
$C$	Prevention of Oscillation	0.22 $\mu$ F	To be examined by about the resistor volume of the speaker load.

Fig.6 STEREO Application Example.



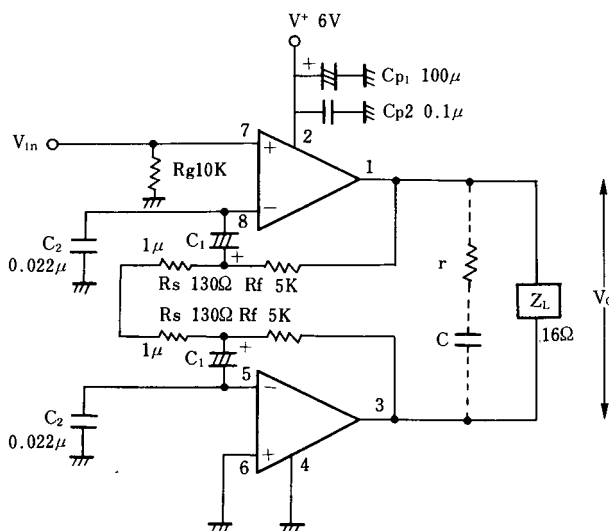
● Application for Voltage Gain Reduction ( BTL )

Fig.7 indicates the application example, Table2 shows recommended value of externally attaching parts.

Table2 Applying purpose and Recommended Value of External Part

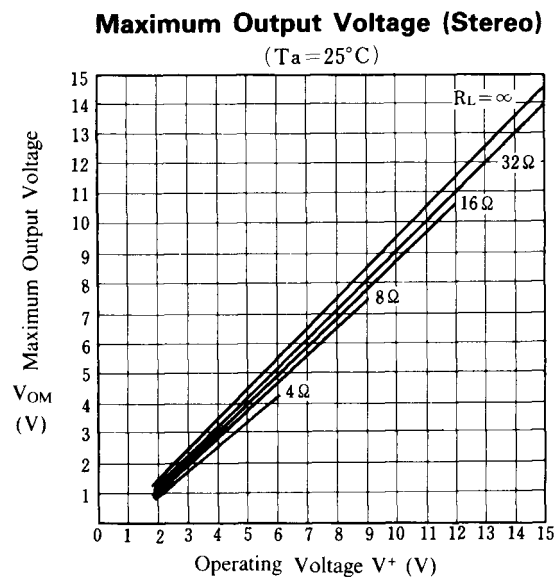
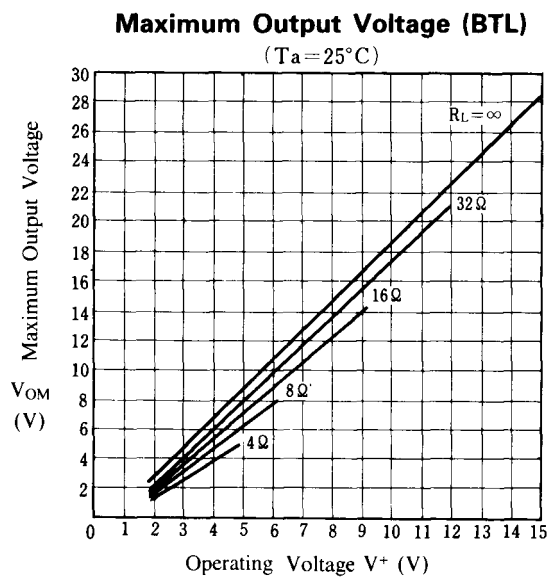
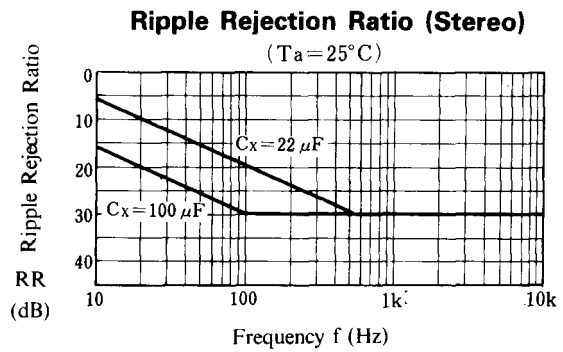
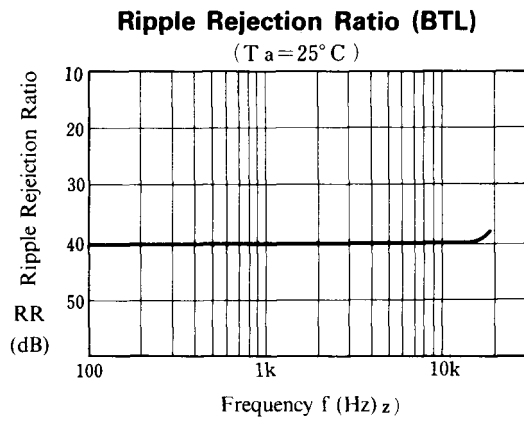
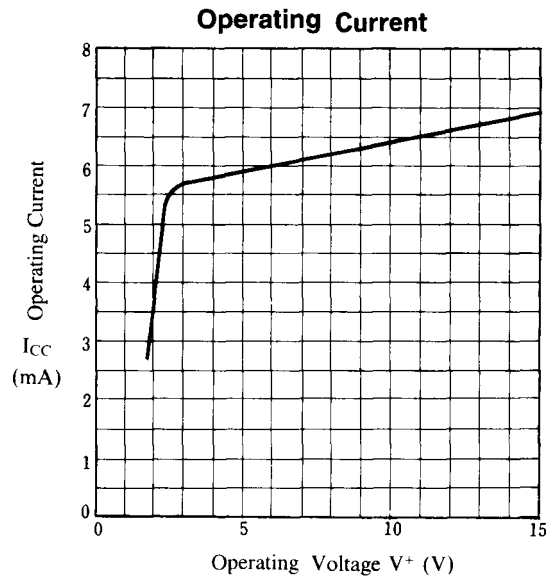
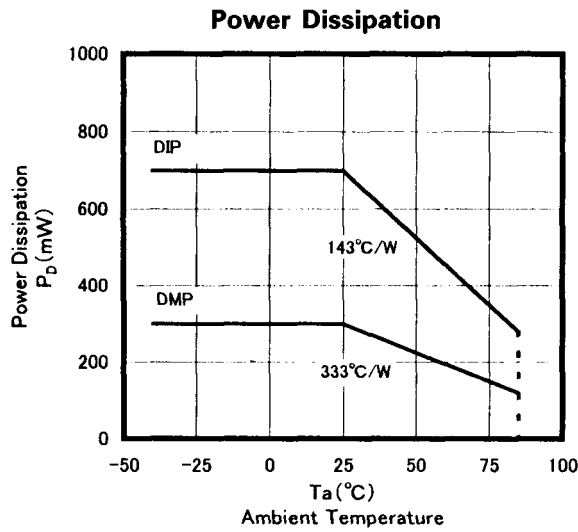
EXTERNAL PARTS	APPLICATION PURPOSE	RECOMMENDED VALUE	REMARKS
$R_g$	DC condition ground of plus input	Below about 10k $\Omega$	Making noise when higher.
$R_s$	AV shall be decided with $R_f$	-	
$R_f$	AV shall be decided with $R_s$	About 5k $\Omega$	Temperature feature to be increased accordingly as in higher AV value. When lower, to be trended of Oscillation.
$C_1$	Releasing minus input in to DC condition	-	Setting up low band Cut-off frequency (fL). More higher, the rise time become longer.
$C_2$	Preventing Oscillation	About 0.02 $\mu$ F	The more higher in value, the high band THD, due to phase slipping to be deteriorated. When lower, to be trended of oscillation.
$C_{P1}$	Stability of $V^+$ Preventing Oscillation	More than about 100 $\mu$ F	Inserting near around at $V^+$ and the GND pin.
$C_{P2}$	Preventing Oscillation	More than 0.1 $\mu$ F	Inserting near around at $V^+$ and the GND pin.
$r$	Preventing Oscillation	About $R_L$	To be examined at around pure resistor Value of speaker load.
C	Preventing Oscillation	0.22 $\mu$ F	

Fig.7 BTL Application





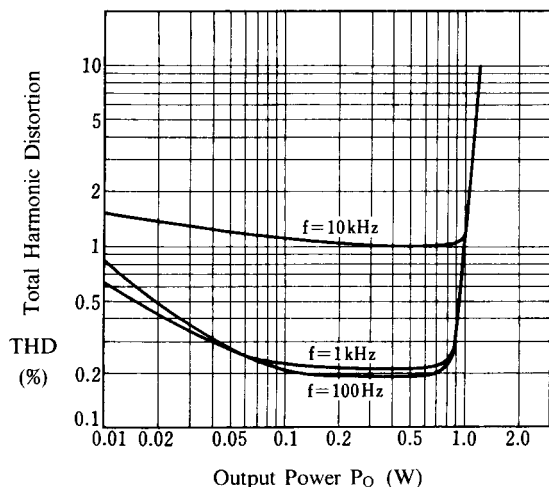
## ■ TYPICAL CHARACTERISTICS



## ■ TYPICAL CHARACTERISTICS

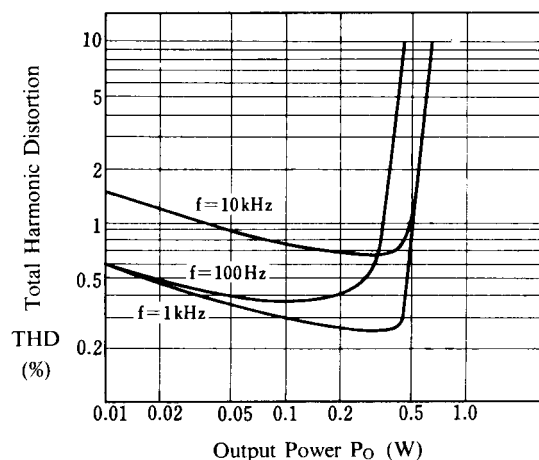
### Total Harmonic Distortion (BTL)

( $V^+ = 6V$ ,  $R_L = 8\Omega$ )



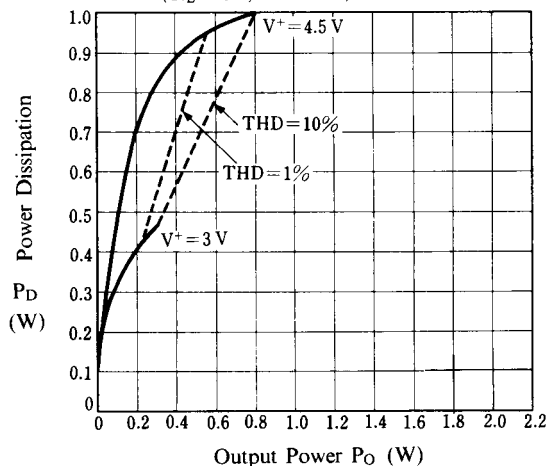
### Total Harmonic Distortion (Stereo)

( $V^+ = 6V$ ,  $R_L = 4\Omega$ )



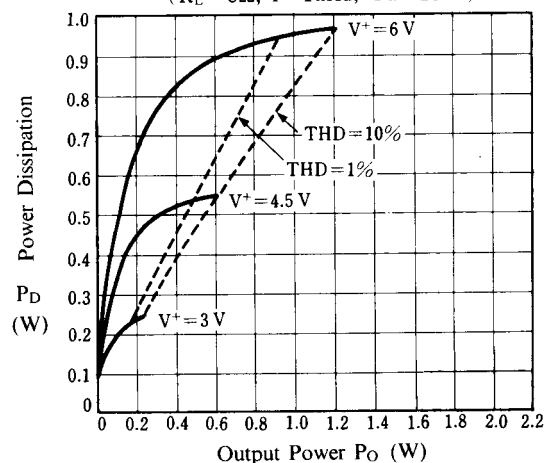
### Power Dissipation vs. Output Power (BTL)

( $R_L = 4\Omega$ ,  $f = 1kHz$ ,  $T_a = 25^\circ C$ )



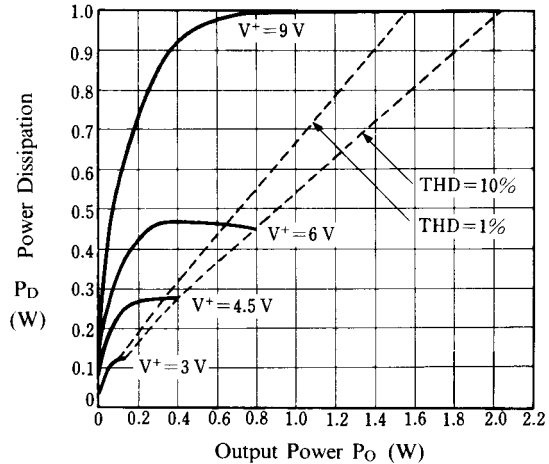
### Power Dissipation vs. Output Power (BTL)

( $R_L = 8\Omega$ ,  $f = 1kHz$ ,  $T_a = 25^\circ C$ )



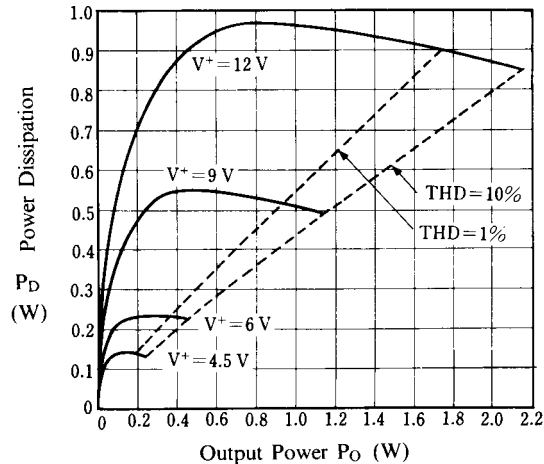
### Power Dissipation vs. Output Power (BTL)

( $R_L = 16\Omega$ ,  $f = 1kHz$ ,  $T_a = 25^\circ C$ )

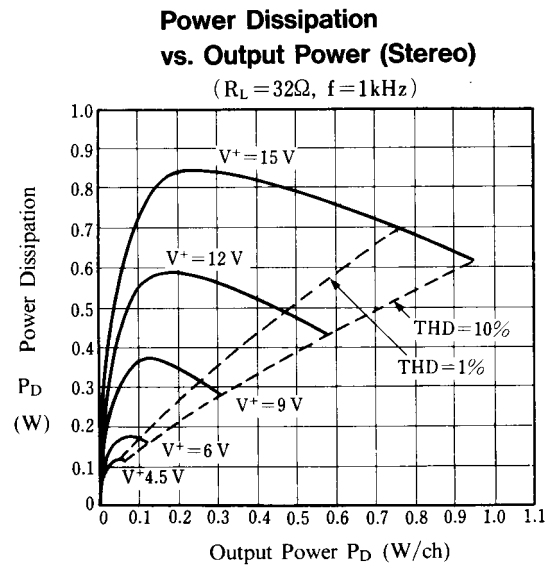
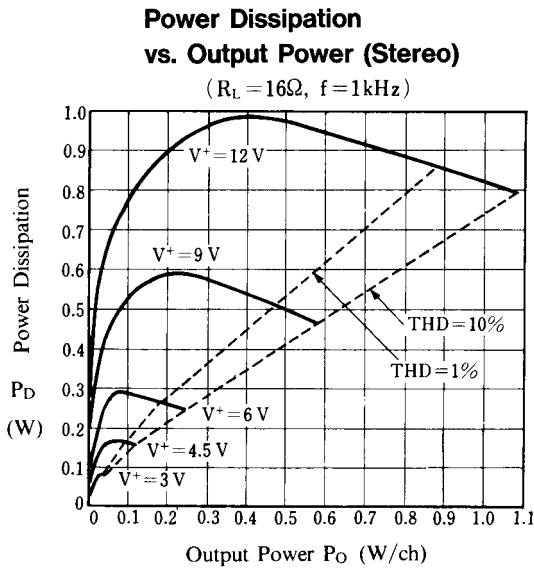
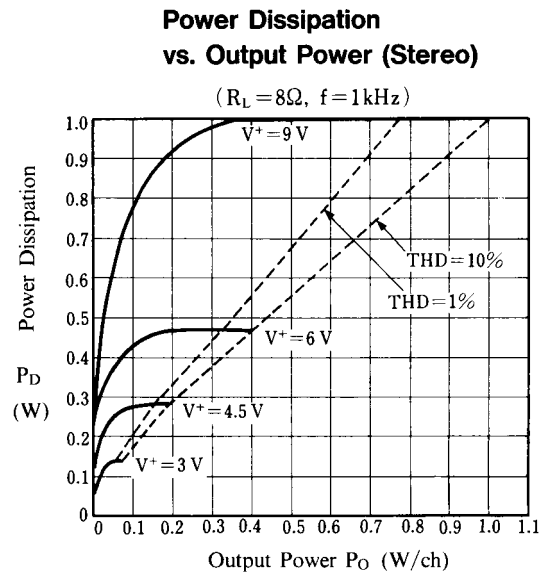
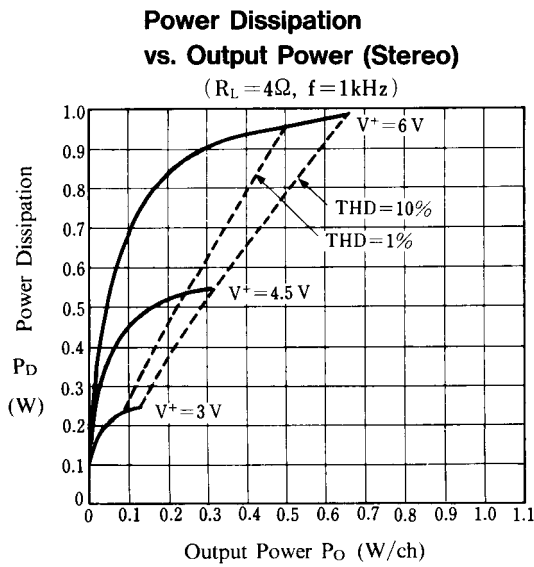


### Power Dissipation vs. Output Power (BTL)

( $R_L = 32\Omega$ ,  $f = 1kHz$ )

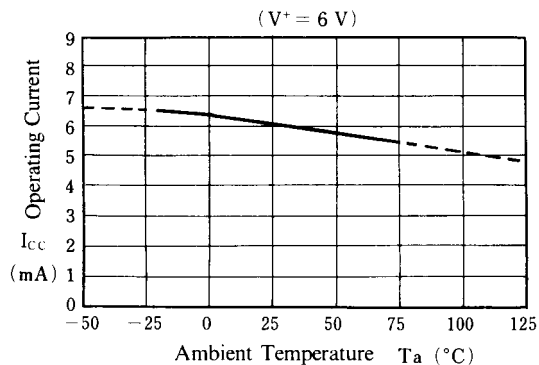


## ■ TYPICAL CHARACTERISTICS

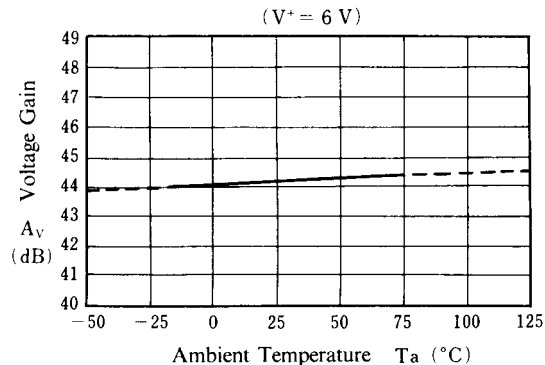


## ■ TYPICAL CHARACTERISTICS

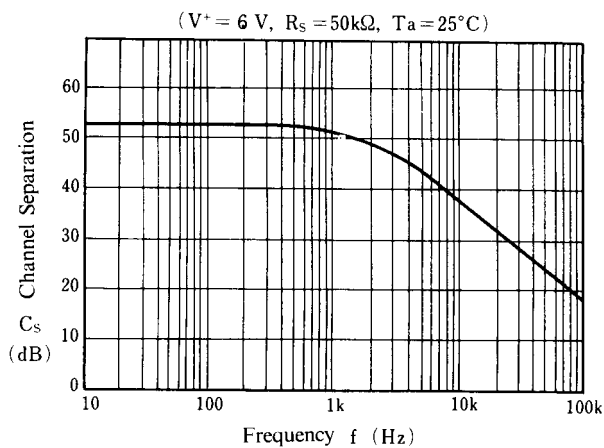
### Operating Current vs. Temperature



### Voltage Gain vs. Temperature



### Channel Separation vs. Frequency



**[CAUTION]**

The specifications on this databook are only given for information, without any guarantee as regards either mistakes or omissions. The application circuits in this databook are described only to show representative usages of the product and not intended for the guarantee or permission of any right including the industrial rights.