



Chipsmall Limited consists of a professional team with an average of over 10 year of expertise in the distribution of electronic components. Based in Hongkong, we have already established firm and mutual-benefit business relationships with customers from,Europe,America and south Asia,supplying obsolete and hard-to-find components to meet their specific needs.

With the principle of “Quality Parts,Customers Priority,Honest Operation,and Considerate Service”,our business mainly focus on the distribution of electronic components. Line cards we deal with include Microchip,ALPS,ROHM,Xilinx,Pulse,ON,Everlight and Freescale. Main products comprise IC,Modules,Potentiometer,IC Socket,Relay,Connector.Our parts cover such applications as commercial,industrial, and automotives areas.

We are looking forward to setting up business relationship with you and hope to provide you with the best service and solution. Let us make a better world for our industry!



Contact us

Tel: +86-755-8981 8866 Fax: +86-755-8427 6832

Email & Skype: info@chipsmall.com Web: www.chipsmall.com

Address: A1208, Overseas Decoration Building, #122 Zhenhua RD., Futian, Shenzhen, China



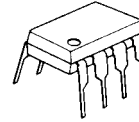
HIGH SPEED OPERATIONAL AMPLIFIER WITH SWITCH

■ GENERAL DESCRIPTION

The NJM2121 is a dual operational amplifier of 2-INPUT and 1-OUTPUT with analog switch. The NJM2121 can be used as analog switch under the condition of $G_v=0\text{dB}$, as Switch + Amp in order that each gain (A or B) can be adjusted independently. Each amplifier of the NJM2121 has the same electrical characteristics as the NJM4560.

The NJM2121 is suitable for Audio, Video, Electrical musical instrument...etc.

■ PACKAGE OUTLINE



NJM2121D

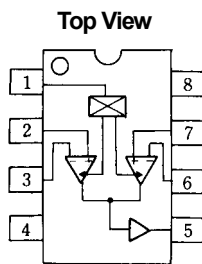


NJM2121M

■ FEATURES

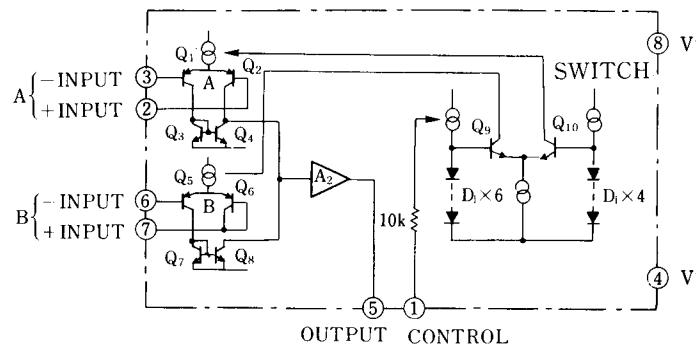
- Analog Switch Function
- Operating Voltage ($\pm 3\text{V} \sim \pm 18\text{V}$)
- Slew Rate ($4\text{V}/\mu\text{s}$ typ.)
- Wide Unity Gain Bandwidth (14MHz typ.)
- Package Outline DIP8, DMP8
- Bipolar Technology

■ PIN CONFIGURATION



- PIN FUNCTION**
- 1. SW. CONTROL
 - 2. A +INPUT
 - 3. A -INPUT
 - 4. V^-
 - 5. OUTPUT
 - 6. B -INPUT
 - 7. B +INPUT
 - 8. V^+

■ EQUIVALENT CIRCUIT



NJM2121

■ ABSOLUTE MAXIMUM RATINGS

(Ta=25°C)

PARAMETER	SYMBOL	RATINGS	UNIT
Supply Voltage	V ⁺ /V	± 18 (36)	V
Differential Input Voltage	V _{ID}	± 30	V
Input Voltage	V _{IC}	± 15	V
Output Current	I _O	± 50	mA
Power Dissipation	P _D	(DIP8) 500 (DMP8) 300	mW
Operating Temperature Range	T _{opr}	-20~+75	°C
Storage Temperature Range	T _{stg}	-40~+125	°C

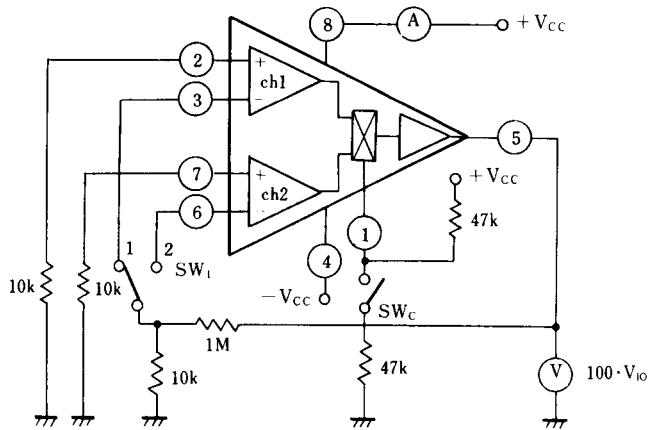
■ ELECTRICAL CHARACTERISTICS

(V⁺/V=±15V, Ta=25°C)

PARAMETER	SYMBOL	TEST CONDITION	MIN.	TYP.	MAX.	UNIT
Operating Current	I _{CC}	V _{IN} SW ON	-	2.3	6.0	mA
		SW OFF	-	2.1	6.0	mA
Input Offset Voltage	V _{IO}	R _S =10kΩ	-	0.8	6.0	mV
Input Bias Current	I _B		-	0.2	1.0	μA
Large Signal Voltage Gain	A _V	R _L =2kΩ	-	110	-	dB
Maximum Output Voltage Swing	V _{OM}	R _L ≥10kΩ	± 12	± 14	-	V
Total Harmonic Distortion	THD	f=1kHz, V _O =5Vrms, G _V =20dB	-	0.002	-	%
Supply Voltage Rejection Ratio	SVR		-	20	150	μV/V
Channel Separation	CS	f=1kHz	-	82	-	dB
Unity Gain Bandwidth	f _T	G _V =0dB	-	14	-	MHz
Slew Rate	SR	G _V =0dB, R _L =2kΩ//100pF	-	4	-	V/μs
Equivalent Input Noise Voltage	V _{NI}	R _S =1kΩ, BW=10Hz~30kHz, Flat	-	2.0	-	μVrms

■ TEST CIRCUIT

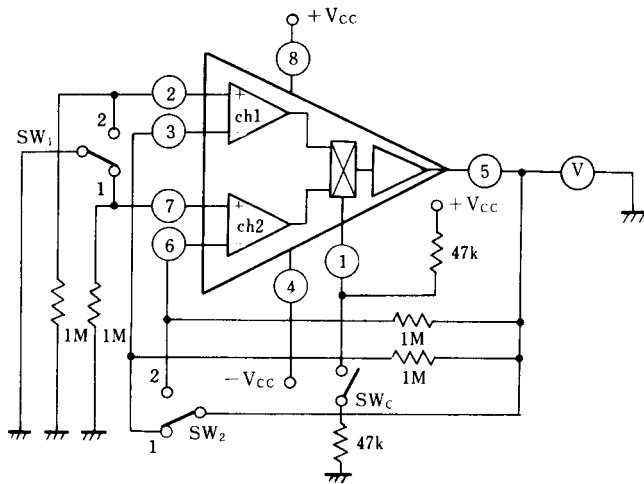
(1) I_{CC} , V_{IO} , SVR



	SW _C	SW ₁	Select ch
I_{CC1} , V_{IO1} , SVR_1	OFF	1	ch 1
I_{CC2} , V_{IO2} , SVR_2	ON	2	ch 2

Unit Resistance : Ω
Capacity : F

(2) I_B , I_O



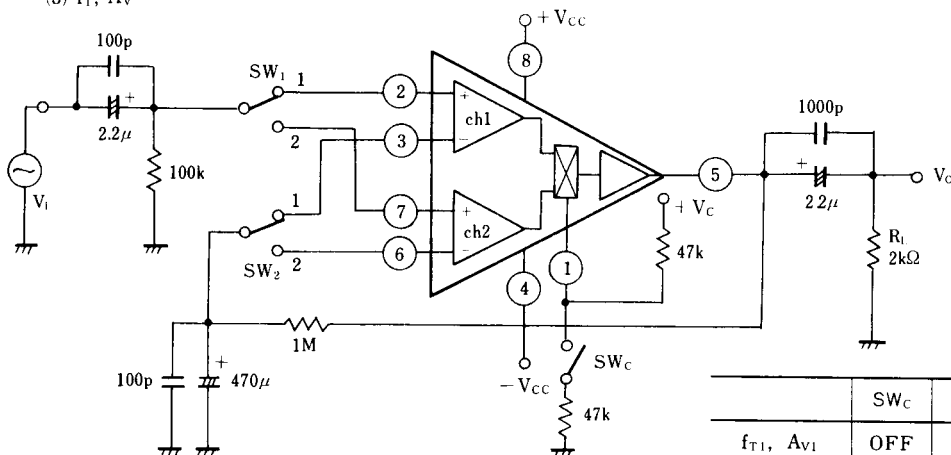
$$I_{B^+} = V_{O^+} / 1M\Omega$$

$$I_{B^-} = V_{O^-} / 1M\Omega$$

$$I_{IO} = |I_{B^+} - I_{B^-}|$$

	SW _C	SW ₁	SW ₂	Select ch
V_{O1}	OFF	1	1	ch 1
V_{O1}	OFF	2	2	ch 1
V_{O2}	ON	2	2	ch 2
V_{O2}	ON	1	1	ch 2

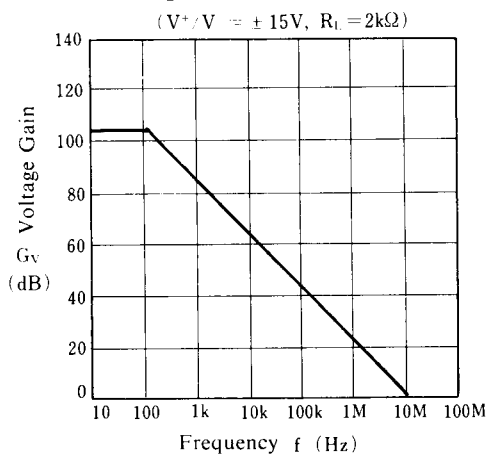
(3) f_T , A_v



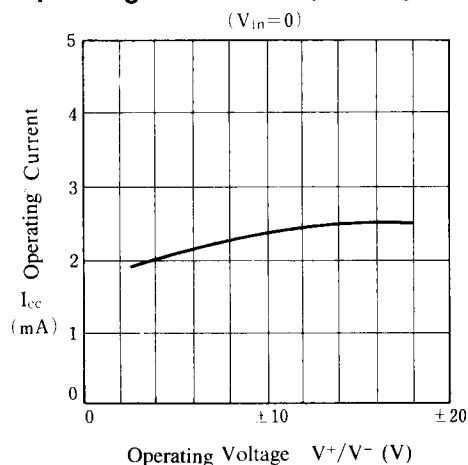
	SW _C	SW ₁	SW ₂	Select ch
f_{T1} , A_{v1}	OFF	1	1	ch 1
f_{T2} , A_{v2}	ON	2	2	ch 2

■ TYPICAL CHARACTERISTICS

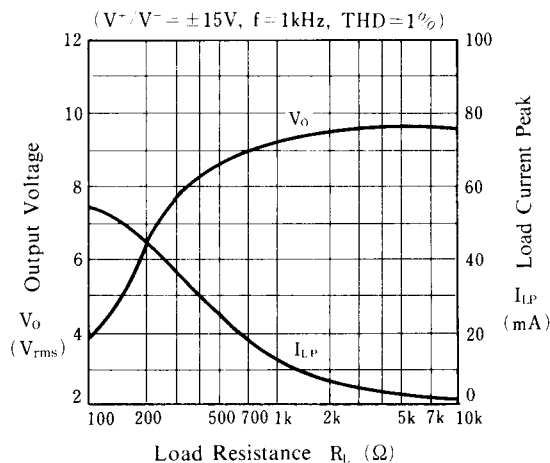
Voltage Gain vs. Frequency



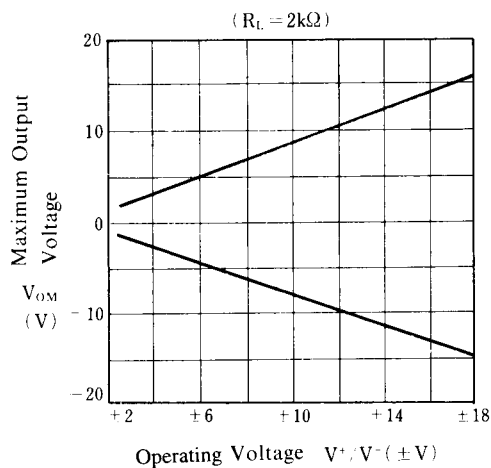
Operating Current vs. Operating Voltage



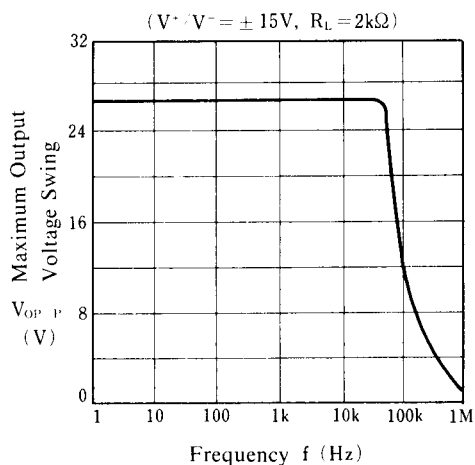
Output Voltage, Load Current Peak vs. Load Resistance



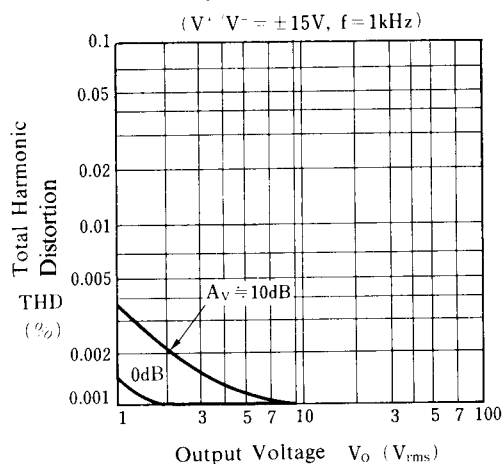
Maximum Output Voltage vs. Operating Voltage



Maximum Output Voltage Swing vs. Frequency

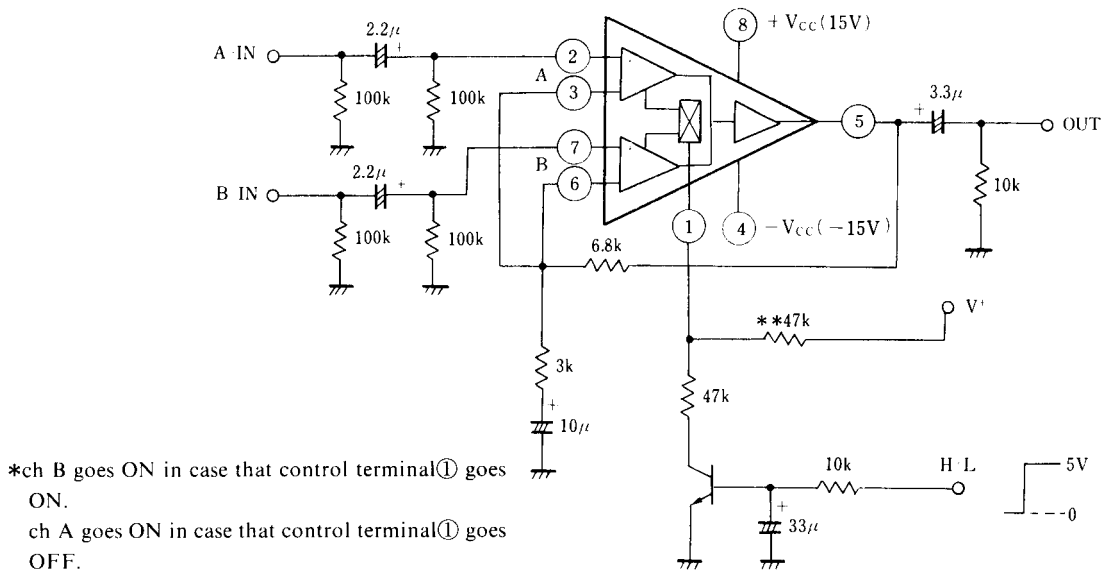


Total Harmonic Distortion vs. Output Voltage

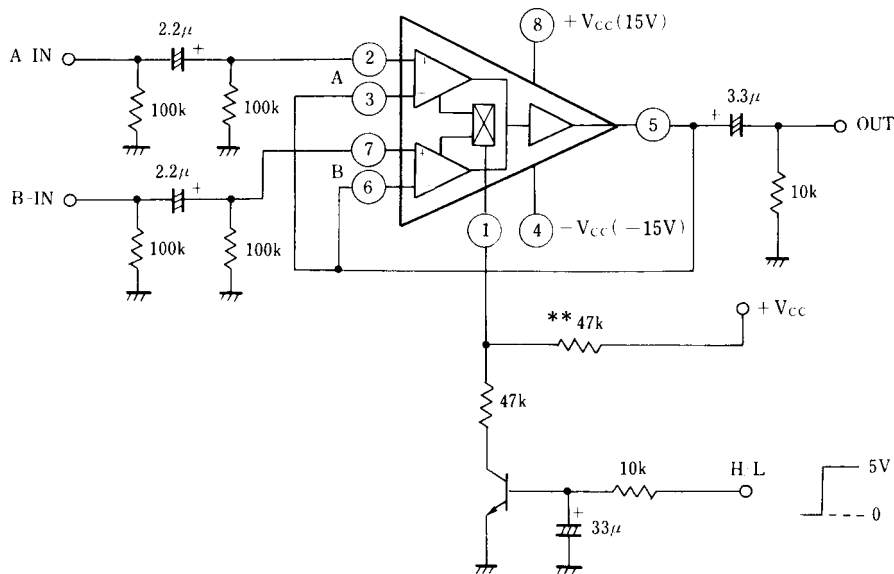


■ APPLICATION CIRCUIT

(1) $G_V=10\text{dB}$ FLAT Amp+Analog Switch Circuit



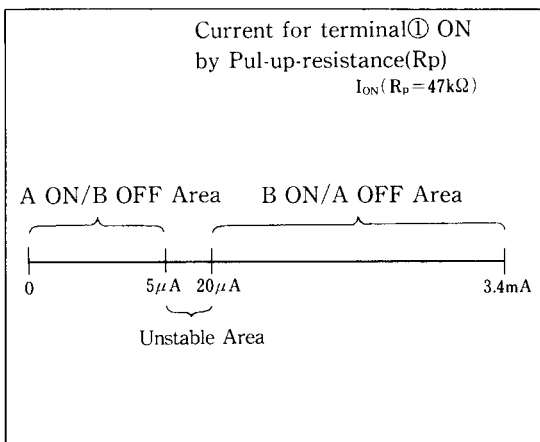
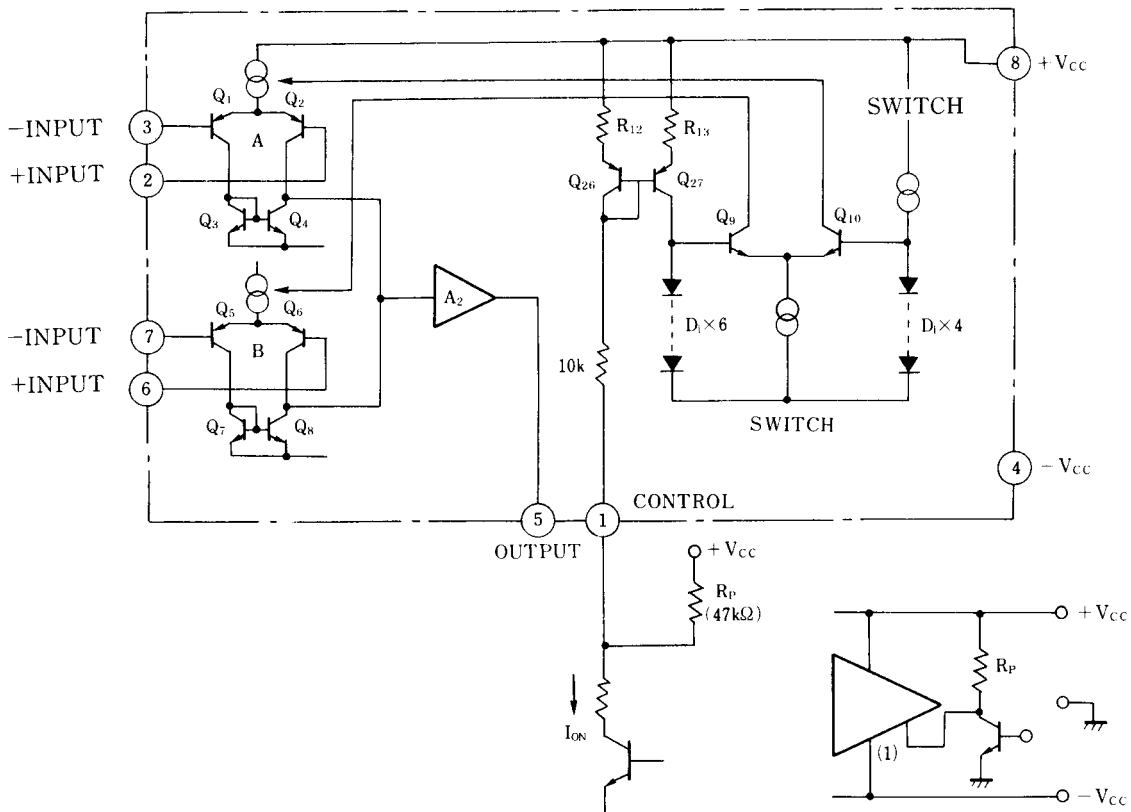
(2) Analog Switch Circuit ($G_V=0\text{dB}$ Voltage Follower Amp)



*Resistance(**) is Pull-up resistance for prevent from switching terminal ① going ON by leakage of external circuit(TR...etc).

■ SWITCHING MECHANISM

NJM2121



Switching Mechanism of NJM2121 is as follows.

Switch signal is communicated in case that V_F of Q26 goes ON on current mirror which is composed with Q26 and Q27. Q10 goes ON by 4 diodes of Q10 in case that terminal 1 goes OFF and Amp (ch A) goes active. Q9 goes ON by 6 diodes of Q9 in case that terminal 1 goes ON and Amp (ch B) goes active. So, NJM2121 have merit that drive system is controlled freely. Because drive system is not related to supply voltage system (Single supply type/Two supply type) in order that switch change by current ON/OFF.

But, this switch goes ON by very little current because of signal communicate system which depend on ON of V_F . So, please use NJM2121 under the condition of lowering sensitivity for current ON/OFF by external Pull-up-resistance (R_p)

[CAUTION]

The specifications on this databook are only given for information, without any guarantee as regards either mistakes or omissions. The application circuits in this databook are described only to show representative usages of the product and not intended for the guarantee or permission of any right including the industrial rights.