



Chipsmall Limited consists of a professional team with an average of over 10 year of expertise in the distribution of electronic components. Based in Hongkong, we have already established firm and mutual-benefit business relationships with customers from,Europe,America and south Asia,supplying obsolete and hard-to-find components to meet their specific needs.

With the principle of “Quality Parts,Customers Priority,Honest Operation,and Considerate Service”,our business mainly focus on the distribution of electronic components. Line cards we deal with include Microchip,ALPS,ROHM,Xilinx,Pulse,ON,Everlight and Freescale. Main products comprise IC,Modules,Potentiometer,IC Socket,Relay,Connector.Our parts cover such applications as commercial,industrial, and automotives areas.

We are looking forward to setting up business relationship with you and hope to provide you with the best service and solution. Let us make a better world for our industry!



Contact us

Tel: +86-755-8981 8866 Fax: +86-755-8427 6832

Email & Skype: info@chipsmall.com Web: www.chipsmall.com

Address: A1208, Overseas Decoration Building, #122 Zhenhua RD., Futian, Shenzhen, China



3-INPUT VIDEO SWITCH WITH 6dB AMPLIFIER

■ GENERAL DESCRIPTION

The **NJM2246** is three input integrated video switch, which selects one video signal from three input signals.

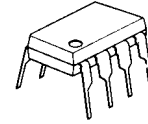
It contains 6dB amplifier and its operating supply voltage range is 4.75 to 13V and bandwidth is 5MHz.

Crosstalk is 65dB (at 4.43MHz).

■ FEATURES

- Operating Voltage 4.75 to 13V
- 3 Input-1 Output
- Internal 6dB Amplifier
- Muting Function available
- Internal Clamp Function
- Cross-talk 65dB (at 4.43MHz)
- Wide Frequency Range 5MHz (1V_{P-P} Input)
- Package Outline DIP8, DMP8, SIP8
- Bipolar Technology

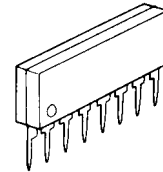
■ PACKAGE OUTLINE



NJM2246D



NJM2246M

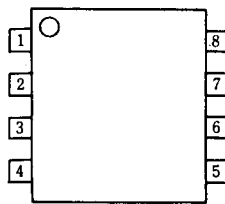


NJM2246L

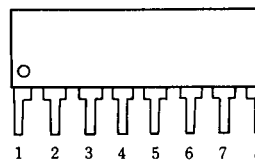
■ APPLICATION

- VCR AV-TV Video Disc Player

■ PIN CONFIGURATION



NJM2246D
NJM2246M

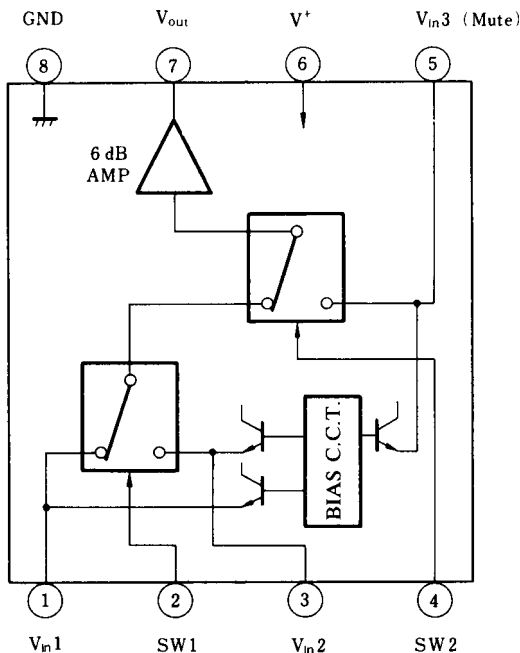


NJM2246L

PIN FUNCTION

1. V_{in1}
2. SW1
3. V_{in2}
4. SW2
5. V_{in3}
6. V⁺
7. V_{out}
8. GND

■ BLOCK DIAGRAM



■ INPUT CONTROL SIGNAL-OUTPUT SIGNAL

SW1	SW2	OUTPUT SIGNAL
L	L	V _{IN1}
H	L	V _{IN2}
L/H	H	V _{IN3}

(note) : Input clamp voltage is about 2/5 of supply voltage.

■ ABSOLUTE MAXIMUM RATINGS

(Ta = 25°C)

PARAMETER	SYMBOL	RATINGS	UNIT
Supply Voltage	V ⁺	15	V
Power Dissipation	P _D	(DIP8) 500 (DMP8) 300 (SIP8) 800	mW mW mW
Operating Temperature Range	T _{opr}	-40 to +85	°C
Storage Temperature Range	T _{stg}	-40 to +125	°C

■ ELECTRICAL CHARACTERISTICS

(V⁺ = 5V, Ta = 25°C)

PARAMETER	SYMBOL	TEST CONDITION	MIN.	TYP.	MAX.	UNIT
Recommended Supply Voltage	V ⁺		4.75	-	13.0	V
Operating Current	I _{CC}	S1=S2=S3=S4=S5=2	9.5	14.0	21.0	mA
Voltage Gain	G _V	V _{in} =1.0V _{P-P} , 1MHz, V _o /V _i , R _L =1kΩ	5.7	6.2	6.7	dB
Frequency Characteristics	G _f	V _{in} =1.0V _{P-P} , V _o (10MHz) / V _o (1MHz) R _L =1kΩ	-1.0	-	+1.0	dB
Differential Gain	DG	V _{in} =1.0V _{P-P} , staircase, R _L =1kΩ	-	0.3	-	%
Differential Phase	DP	V _{in} =1.0V _{P-P} , staircase, R _L =1kΩ	-	0.3	-	deg.
Output Offset Voltage	V _{off}	S1=S2=S3=2, S5=1→2 V _O : voltage change	-	-	±60	mV
Crosstalk	CT	V _{IN} =1.0V _{P-P} , 4.43MHz, V _o / V _i (note2)	-	-65	-	dB
Switch Change Voltage	V _{CH}	All inside SW : ON	2.4	-	-	V
	V _{CL}	All inside SW : OFF	-	-	0.8	V

(note) Unless specified, tested with three mode below.

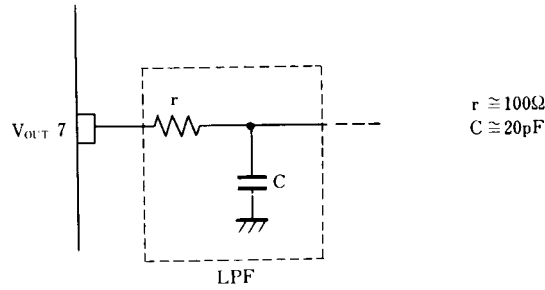
a) S1=1, S2=S3=S4=S5=2 b) S2=S4=1, S1=S3=S5=2 c) S1=S2=2, S3=S5=1, S4=1 or 2

(note2) Tested by the following.

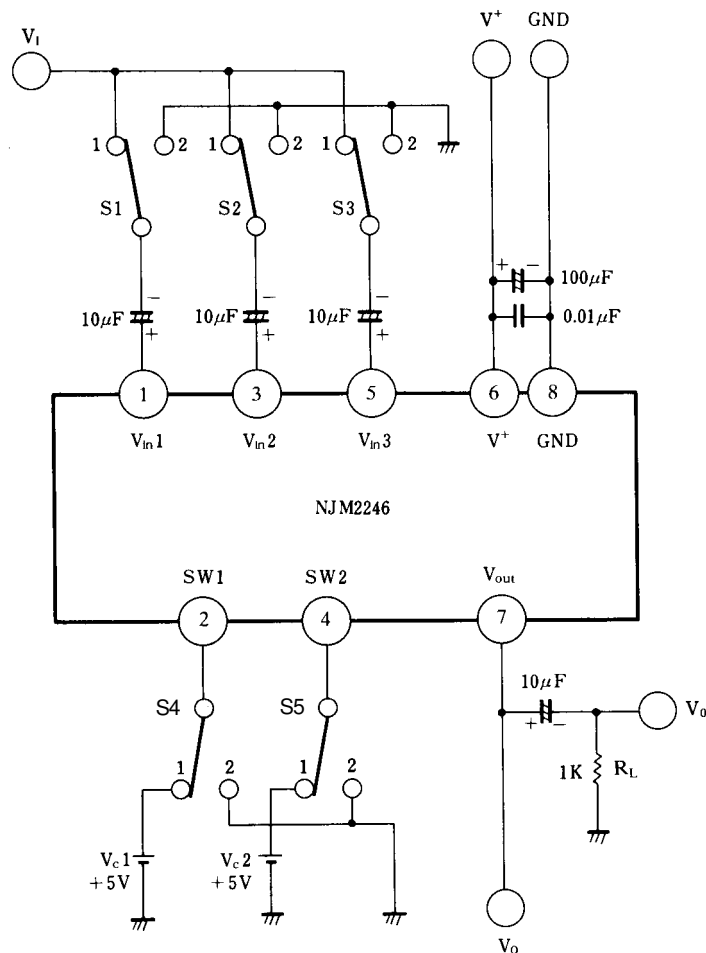
- a) S1=S4=1, S2=S3=2, S5=1 and 2
- b) S2=1, S1=S3=S4=2, S5=1 and 2
- c) S3=1, S1=S2=S5=2, S4=1 and 2

APPLICATION

Oscillation Prevention on light loading conditions Recommended under circuit.



TEST CIRCUIT



DC Voltage Each Terminal
Typ. on Test Circuit $T_a=25^{\circ}\text{C}$

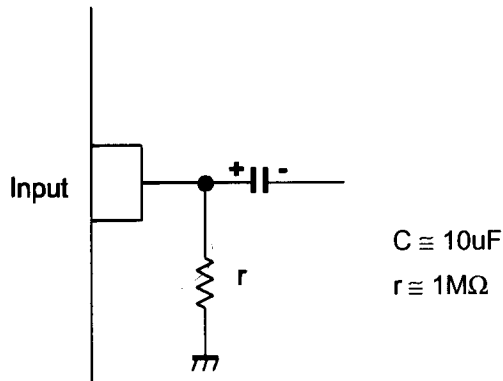
Terminal Name	V_{IN1}	SW1	V_{IN2}	SW2	V_{IN3}	V^+	V_{OUT}	GND
DC Voltage	$\frac{2}{5} V^+$	-	$\frac{2}{5} V^+$	-	$\frac{2}{5} V^+$	-	$\frac{2}{5} V^+ - 0.7$	-

■ EQUIVALENT CIRCUIT

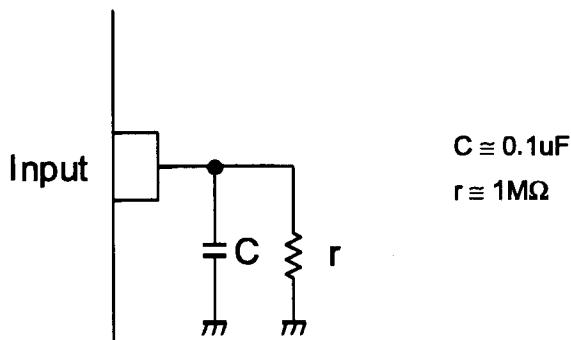
PIN NO.	PIN FUNCTION	INSIDE EQUIVALENT CIRCUIT	PIN NO.	PIN FUNCTION	INSIDE EQUIVALENT CIRCUIT
1	V_{IN1}		5	V_{IN3} (Mute)	
2	SW1		6	V^+	
3	V_{IN2}		7	V_{OUT}	
4	SW2		8	GND	

■ APPLICATION

This IC requires $1\text{M}\Omega$ resistance between INPUT and GND pin for clamp type input since the minute current causes an unstable pin voltage.



This IC requires $0.1\mu\text{F}$ capacitor between INPUT and GND, $1\text{M}\Omega$ resistance between INPUT and GND for clamp type input at mute mode.



[CAUTION]

The specifications on this databook are only given for information, without any guarantee as regards either mistakes or omissions. The application circuits in this databook are described only to show representative usages of the product and not intended for the guarantee or permission of any right including the industrial rights.