



Chipsmall Limited consists of a professional team with an average of over 10 year of expertise in the distribution of electronic components. Based in Hongkong, we have already established firm and mutual-benefit business relationships with customers from,Europe,America and south Asia,supplying obsolete and hard-to-find components to meet their specific needs.

With the principle of “Quality Parts,Customers Priority,Honest Operation,and Considerate Service”,our business mainly focus on the distribution of electronic components. Line cards we deal with include Microchip,ALPS,ROHM,Xilinx,Pulse,ON,Everlight and Freescale. Main products comprise IC,Modules,Potentiometer,IC Socket,Relay,Connector.Our parts cover such applications as commercial,industrial, and automotives areas.

We are looking forward to setting up business relationship with you and hope to provide you with the best service and solution. Let us make a better world for our industry!



Contact us

Tel: +86-755-8981 8866 Fax: +86-755-8427 6832

Email & Skype: info@chipsmall.com Web: www.chipsmall.com

Address: A1208, Overseas Decoration Building, #122 Zhenhua RD., Futian, Shenzhen, China



2-INPUT 1-OUTPUT AUDIO SWITCH

■ GENERAL DESCRIPTION

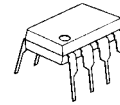
The NJM2520 is 58kΩ input impedance 2-input 1-output audio switch.

It contains two bias-type inputs and one buffer-type output.

■ FEATURES

- Operating Voltage (+4.75V~+13V)
- Crosstalk (-70dB typ.)
- Input Impedance (58kΩ typ.)
- 2-Input, 1-Output
- Bipolar Technology
- Package Outline DIP8,DMP8,SSOP8

■ PACKAGE OUTLINE



NJM2520D

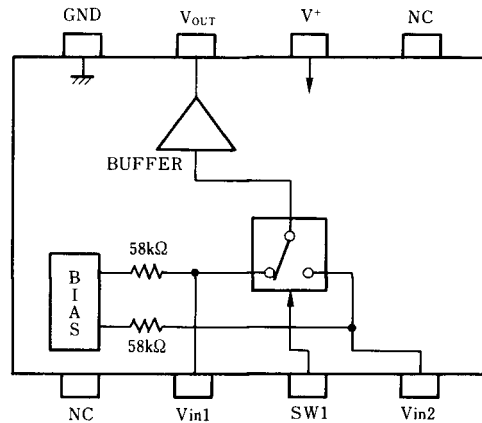


NJM2520M



NJM2520V

■ PIN CONFIGURATION



PIN FUNCTION

1. NC
2. Vin1
3. SW1
4. Vin2
5. NC
6. V+
7. Vout
8. GND

NJM2520D
 NJM2520M
 NJM2520V

NJM2520

■ ABSOLUTE MAXIMUM RATINGS

(Ta=25°C)

PARAMETER	SYMBOL	RATINGS	UNIT
Supply Voltage	V ⁺	+15	V
Power Dissipation	P _D	(DIP8) 500 (DMP8) 300 (SSOP8) 250	mW
Operating Temperature Range	T _{opr}	-20~+75	°C
Storage Temperature Range	T _{stg}	-40~+125	°C

■ ELECTRICAL CHARACTERISTICS

(V⁺=5V, Ta=25°C)

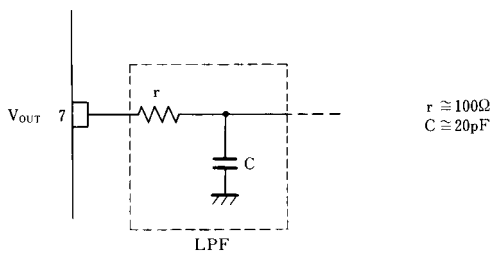
PARAMETER	SYMBOL	TEST CONDITIONS	MIN.	TYP.	MAX.	UNIT
Operating Voltage	V ⁺		+4.7	-	+13.0	V
Operating Current	I _{CC}		-	8.5	11.0	mA
Frequency Characteristics	G _f	V _{IN} =2V _{P-P} , V _O =10MHz / 100kHz	-1.0	0	+1.0	dB
Voltage Gain	G _v	V _{IN} =2V _{P-P} , 100kHz	-0.5	0	+0.5	dB
Total Harmonic Distortion	THD	V _{IN} =2.5V _{P-P} , 1kHz	-	0.01	-	%
Output Offset Voltage	V _{off}		-35	0	+35	mV
Switching Voltage	V _{CH}		2.4	-	-	V
	V _{CL}		-	-	0.8	V
Input Impedance	R _i		-	58	-	kΩ
Output Impedance	R _o		-	10	-	Ω

■ CONTROL SIGNAL-OUTPUT SIGNAL

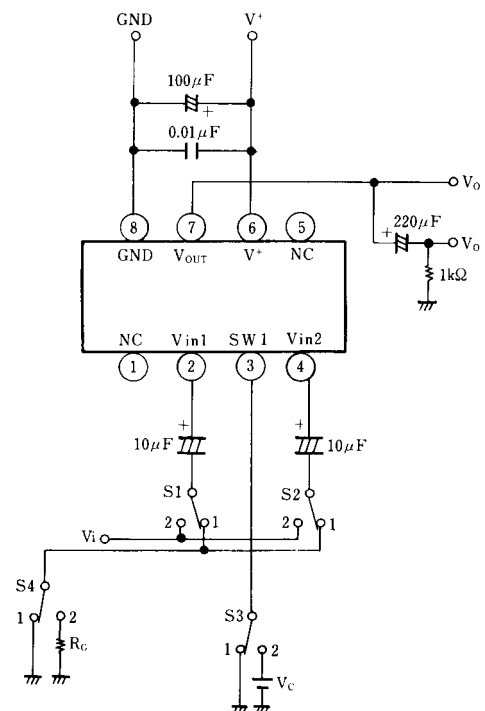
SW1	OUTPUT SIGNAL
L	V _{IN1}
H	V _{IN2}

■ APPLICATION

Oscillation Prevention on light loading conditions
Recommended under circuit



■ TEST CIRCUIT



[CAUTION]

The specifications on this databook are only given for information, without any guarantee as regards either mistakes or omissions. The application circuits in this databook are described only to show representative usages of the product and not intended for the guarantee or permission of any right including the industrial rights.