



Chipsmall Limited consists of a professional team with an average of over 10 year of expertise in the distribution of electronic components. Based in Hongkong, we have already established firm and mutual-benefit business relationships with customers from,Europe,America and south Asia,supplying obsolete and hard-to-find components to meet their specific needs.

With the principle of “Quality Parts,Customers Priority,Honest Operation,and Considerate Service”,our business mainly focus on the distribution of electronic components. Line cards we deal with include Microchip,ALPS,ROHM,Xilinx,Pulse,ON,Everlight and Freescale. Main products comprise IC,Modules,Potentiometer,IC Socket,Relay,Connector.Our parts cover such applications as commercial,industrial, and automotives areas.

We are looking forward to setting up business relationship with you and hope to provide you with the best service and solution. Let us make a better world for our industry!



Contact us

Tel: +86-755-8981 8866 Fax: +86-755-8427 6832

Email & Skype: info@chipsmall.com Web: www.chipsmall.com

Address: A1208, Overseas Decoration Building, #122 Zhenhua RD., Futian, Shenzhen, China



3-INPUT 1-OUTPUT VIDEO SWITCH

■ GENERAL DESCRIPTION

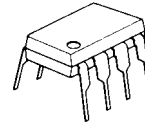
The **NJM2534** is a video switch for VCR, TV and others.
It contains three bias-type inputs and one buffer-type output.

■ FEATURES

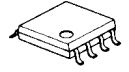
- Operating Voltage (+4.5V to +13V)
- Low Operating Current (4.7mA MAX)
- Crosstalk (-70dB)
- 2-Input, 1-Output
- Bipolar Technology
- Package Outline DIP8, DMP8, SIP8, SSOP8

■ PIN CONFIGURATION

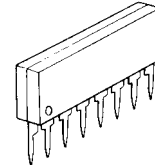
■ PACKAGE OUTLINE



NJM2534D



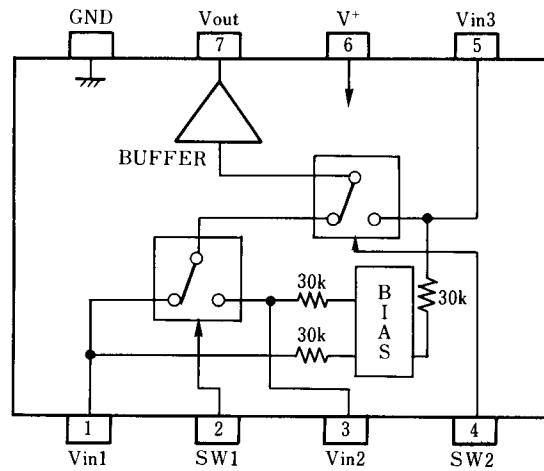
NJM2534M



NJM2534L



NJM2534V



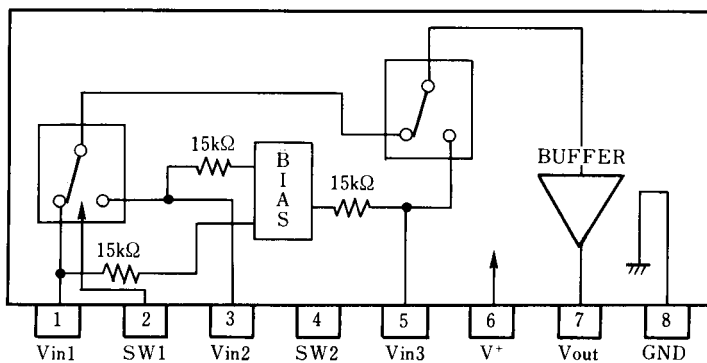
NJM2534D

NJM2534M

NJM2534V

PIN FUNCTION

- 1 : Vin1
- 2 : SW1
- 3 : Vin2
- 4 : SW2
- 5 : Vin3
- 6 : V⁺
- 7 : V_{OUT}
- 8 : GND



NJM2534L

PIN FUNCTION

- 1 : Vin1
- 2 : SW1
- 3 : Vin2
- 4 : SW2
- 5 : Vin3
- 6 : V⁺
- 7 : V_{OUT}
- 8 : GND

NJM2534

■ ABSOLUTE MAXIMUM RATINGS

($T_a = 25^\circ\text{C}$)

PARAMETER	SYMBOL	RATINGS	UNIT
Supply Voltage	V^+	+15	V
Power Dissipation	P_D	(DIP-8) 500 (DMP-8) 300 (SIP-8) 800 (SSOP-8) 250	mW
Operating Temperature Range	T_{opr}	-40 to +85	$^\circ\text{C}$
Storage Temperature Range	T_{stg}	-40 to +125	$^\circ\text{C}$

■ ELECTRICAL CHARACTERISTICS

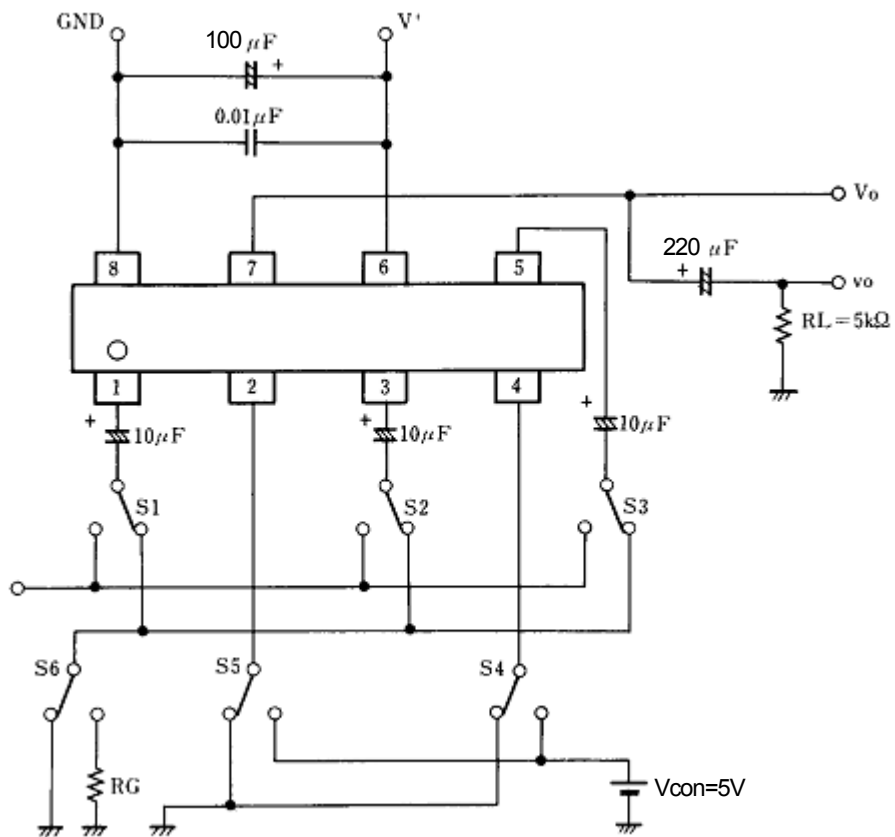
($V^+ = 5\text{V}$, $T_a = 25^\circ\text{C}$)

PARAMETER	SYMBOL	TEST CONDITIONS	MIN.	TYP.	MAX.	UNIT
Operating Voltage	V^+		+4.5	-	+13.0	V
Operating Current	I_{CC}		-	3.7	4.7	mA
Frequency Characteristics	G_f	$V_{IN} = 2V_{PP}$, $V_O = 10\text{MHz}/100\text{kHz}$	-1.0	0	+1.0	dB
Voltage Gain	G_v	$V_{IN} = 2V_{PP}$, 100kHz	-0.5	0	+0.5	dB
Total Harmonic Distortion	THD	$V_{IN} = 2.5V_{PP}$, 1kHz	-	0.05	0.1	%
Differential Gain	DG	$V_{IN} = 2V_{PP}$, Standard staircase signal, APL = 50%	-	0	3.0	%
Differential Phase	DP	$V_{IN} = 2V_{PP}$, Standard staircase signal, APL = 50%	-	0	3.0	deg
Output Offset Voltage	V_{off}		-30	0	+30	mV
Crosstalk	CT	$V_{IN} = 2V_{PP}$, 4.3MHz	-	-70	-60	dB
Switching Voltage	V_{CH}		2.4	-	-	V
	V_{CL}		-	-	0.8	V
Input Impedance	R_i		-	30	-	k Ω
Output Impedance	R_o		-	25	-	Ω
Input Bias Voltage	V_{IN}		-	2.5	-	V

■ INPUT CONTROL SIGNAL-OUTPUT SIGNAL

SW1	SW2	OUTPUT SIGNAL
L	L	V_{IN1}
H	L	V_{IN2}
L/H	H	V_{IN3}

■ TEST CIRCUIT



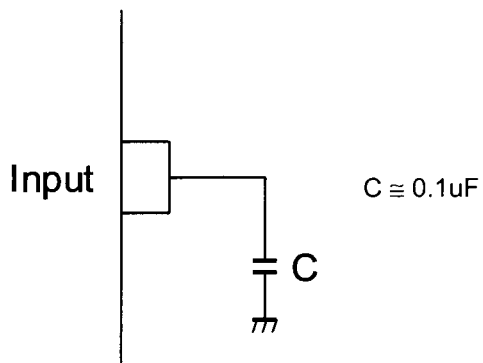
Terminal DC voltage at test circuit (Ta=25°C)

Terminal name	V _{in1}	V _{in2}	V _{in3}	V _{out}
DC voltage (V)	V ⁺ /2	V ⁺ /2	V ⁺ /2	V ⁺ /2 - 0.7

NJM2534

■ APPLICATION

This IC requires 0.1 μ F capacitor between INPUT and GND for bias type input at mute mode.



[CAUTION]
The specifications on this databook are only given for information, without any guarantee as regards either mistakes or omissions. The application circuits in this databook are described only to show representative usages of the product and not intended for the guarantee or permission of any right including the industrial rights.